



CUSHMAN®

PARTS MANUAL

AC TUG

668734-T

SERVICE PARTS MANUAL

ELECTRIC INDUSTRIAL TOW TRACTOR

AC TUG

STARTING MODEL YEAR 2017

Never modify the vehicle in any way that will alter the weight distribution of the vehicle, decrease its stability or increase the speed beyond the factory specifications. Such modifications can cause serious personal injury or death. Textron Specialized Vehicles prohibits and dis-claims responsibility for any such modifications or any other alteration which would adversely affect the safety of the vehicle.

TSV reserves the right to incorporate engineering and design changes to products in this manual, without obligation to include these changes on units sold previously.

The information contained in this manual may be revised periodically by TSV, and therefore is subject to change without notice.

TSV DISCLAIMS LIABILITY FOR ERRORS IN THIS MANUAL, and SPECIFICALLY DISCLAIMS LIABILITY FOR INCIDENTAL AND CONSEQUENTIAL DAMAGES resulting from the use of the information and materials in this manual.

These are the original instructions as defined by 2006/42/EC.

TO CONTACT US:

Textron Specialized Vehicles, Inc.
1451 Marvin Griffin Road
Augusta, Georgia, USA 30906-3852

NORTH AMERICA:

Technical Assistance & Warranty PHONE: 1-800-774-3946
Service Parts PHONE: 1-888-438-3946
International: PHONE: 001-706-798-4311

GENERAL INFORMATION

To obtain a copy of the limited warranty applicable to the vehicle, call or write a local Distributor, authorized Branch or the Warranty Department with vehicle serial number and manufacturer code.

The use of non Original Equipment Manufacturer (OEM) approved parts may void the warranty.

Tampering with or adjusting the governor to permit vehicle to operate at above factory specifications will void the vehicle warranty.

When servicing engines, all adjustments and replacement components must be per original vehicle specifications in order to maintain the United States of America Federal and State emission certification applicable at the time of manufacture.

BATTERY PROLONGED STORAGE

All batteries will self discharge over time. The rate of self discharge varies depending on the ambient temperature and the age and condition of the batteries.

A fully charged battery will not freeze in winter temperatures unless the temperature falls below -75° F (-60° C).

BATTERY DISPOSAL

Lead-acid batteries are recyclable. Return whole scrap batteries to distributor, manufacturer or lead smelter for recycling. For neutralized spills, place residue in acid-resistant containers with absorbent material, sand or earth and dispose of in accordance with local, state and federal regulations for acid and lead compounds. Contact local and/or state environmental officials regarding disposal information.

TABLE OF CONTENTS

SECTION	Page No.
HOW TO USE THE SERVICE PARTS MANUAL	V
ACCELERATOR	A - 1
BATTERY SYSTEM	B - 1
BATTERY CHARGER	C - 1
BODY	D - 1
BRAKES	E - 1
ELECTRICAL	F - 1
FORK AND HANDLEBAR	G - 1
MOTOR	H - 1
REAR AXLE	J - 1
REAR SUSPENSION	K - 1
SEATING	L - 1
WHEELS AND TIRES	M - 1
DECALS AND LABELS	N - 1

HOW TO USE THE SERVICE PARTS MANUAL

This manual is divided into several sections:

- GENERAL INFORMATION
- ILLUSTRATED PARTS BREAKDOWN

The first section, GENERAL INFORMATION, contains the following information:

- WARRANTY INFORMATION
- TABLE OF CONTENT
- HOW TO USE THE SERVICE PARTS MANUAL

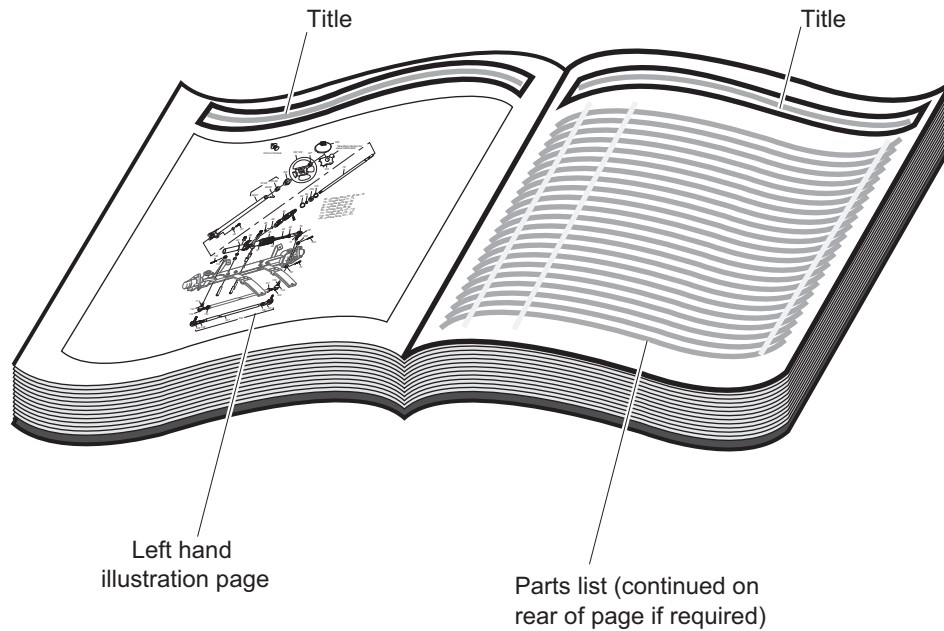
The second section, ILLUSTRATED PARTS BREAKDOWN, contains illustrations and parts lists for all systems of your vehicle.

USE OF THE MANUAL

To use this manual, consult the TABLE OF CONTENT to locate the information or illustration required.

Introduction of some revisions varies due to supply of components; therefore, it is possible that various combinations of components may be found that are not directly reflected by each illustration. Consult the illustration that best suits your situation and then contact the Service Parts Department. It is important that the serial number or VIN of your vehicle and the model name be supplied to Service Parts when ordering any replacement components.

HOW TO USE THE SERVICE PARTS MANUAL



1. WHEN THE PART NUMBER IS NOT KNOWN

- Determine the function and application of the part required. Turn to the Table of Content and select the most appropriate title.
- Turn to the page number indicated and locate the desired part on the illustration.
- From the illustration, obtain the item number assigned to the desired part. Refer to the accompanying description for specific information regarding the part.

2. IF YOU KNOW THE PART NUMBER

- Locate the part number or description in the appropriate column on the parts list page.

NOTE: It is suggested that you confirm that the part selected is correct by verifying it with the pictorial representation on the illustrated page.

Should an asterisk (*) appear in the part number column on the parts list page, read upwards until a part number is found. The part number is the lowest assembly sold by Service Parts and the asterisk (*) indicates that the part depicted is not available for purchase.

NOTE: Descriptions are indented under the assembly that they are used on. That assembly is, in turn listed under the assembly that it is used on. This process is repeated until the highest final assembly is reached.

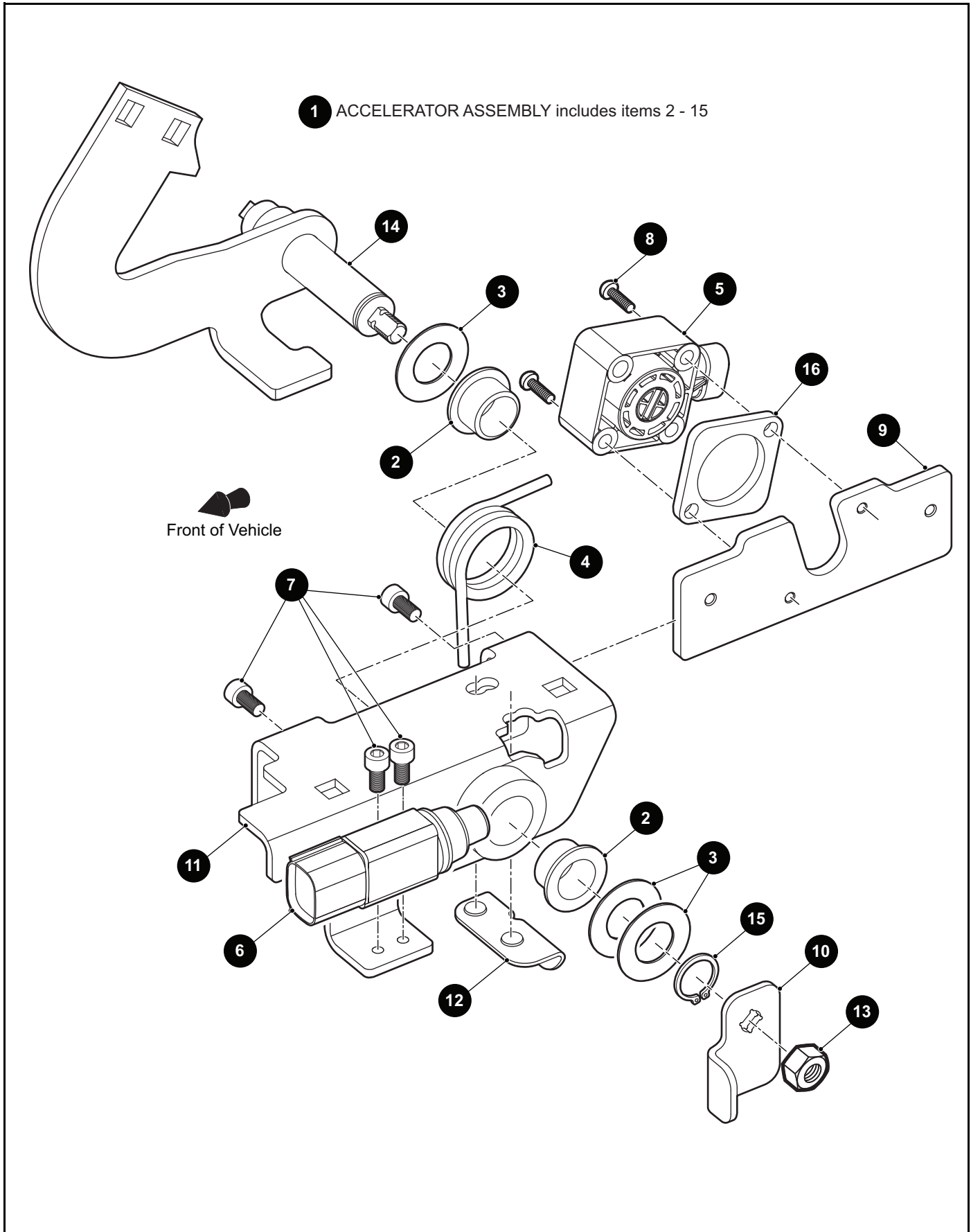
To facilitate the maintenance and repair of the vehicle, a Technician's Repair and Service Manual is available from the Service Parts Department.

3. COLOR CODE FOR BODY COMPONENTS

The last two digits of the part number for the body part will denote the color code, locate the part number for the cowl, rear body, seat pod, side panel or seat wrap then locate your color in the list below, replace the last ** or XX with the two digit color code.

<u>CODE #</u>	<u>DESCRIPTION</u>
02	HUNTER GREEN
10	ARCTIC WHITE
30	FLAME RED
43	SAFETY YELLOW

ACCELERATOR



ACCELERATOR

THE USE OF NON U.L. PARTS WILL VOID ANY U.L. LISTING.

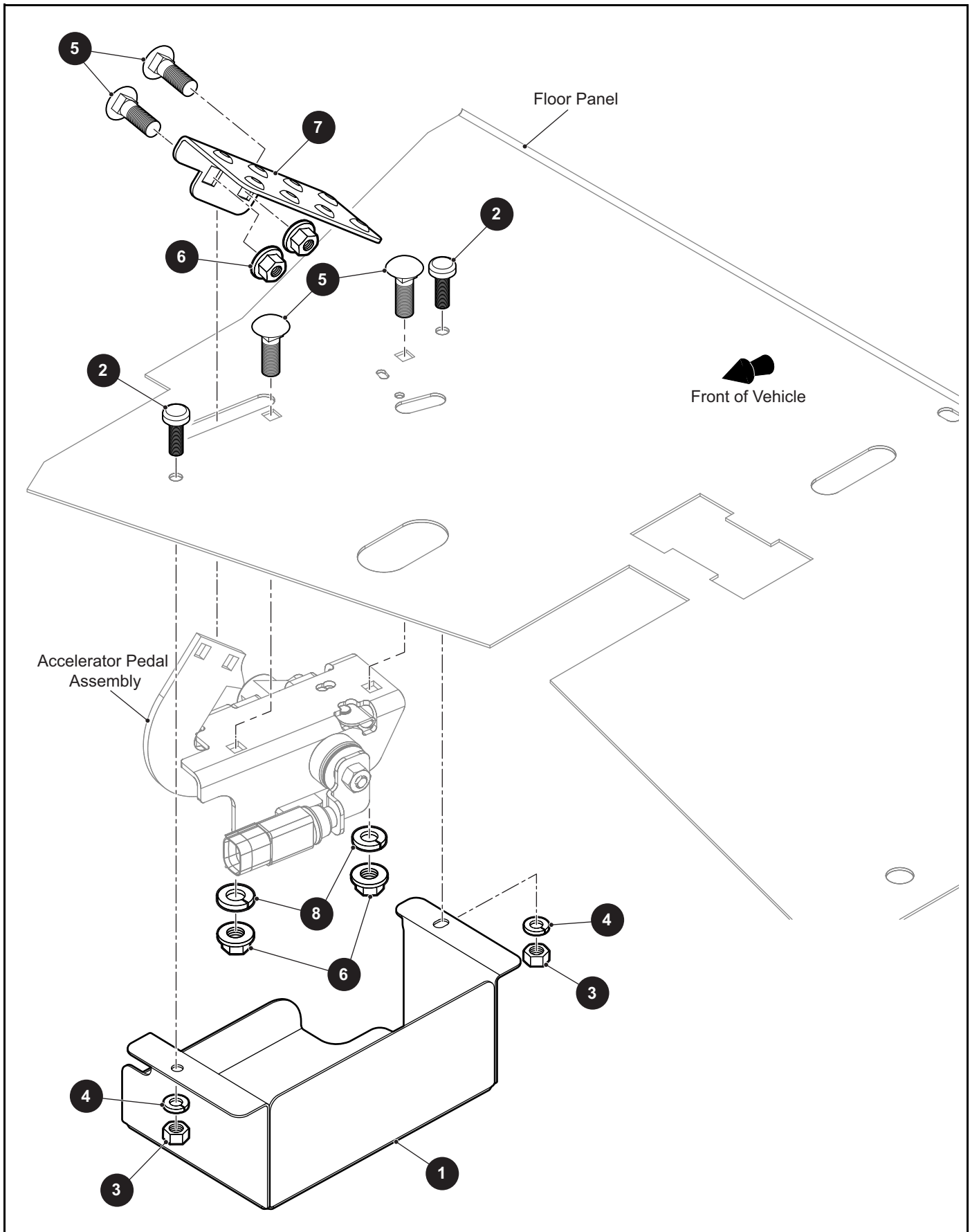
When ordering parts, please specify the model and serial number of the product.

* Indicates a component that is not available as an individual part.

*** Indicates consult Customer Service Department for additional information.

ITEM	PART NO.	1 2 3 4 5	DESCRIPTION	QTY.
1	683333		ACCELERATOR ASSEMBLY (INCLUDES ITEMS 2 - 15).....	1
2	840494		FLANGED BEARING, .625 I.D.	2
3	548478		FLAT WASHER, .641 X 1.188 X .04.....	3
4	840435		TORSION SPRING.....	1
5	671848		SENSOR (ROTARY POSITION)	1
6	612889		PEDAL SWITCH.....	1
7	620030		SOCKET HEAD BOLT, M5 - .8 X 10MM LG.....	4
8	672535		BUTTON HEAD TORX BOLT, M5 - .8 X 35MM LG	2
9	683336		SPEED CONTROL SWITCH BRACKET	1
10	683567		SWITCH BRACKET.....	1
11	692017		PEDAL BRACKET	1
12	840688		SPRING SUPPORT TAB	1
13	00702G2		HEX NUT, 5/16" - 18.....	1
14	683335		PEDAL ARM	1
15	833104		RETAINING RING (EXTERNAL).....	1
16	672457		SENSOR SPACER.....	1

ACCELERATOR



THE USE OF NON U.L. PARTS WILL VOID ANY U.L. LISTING.

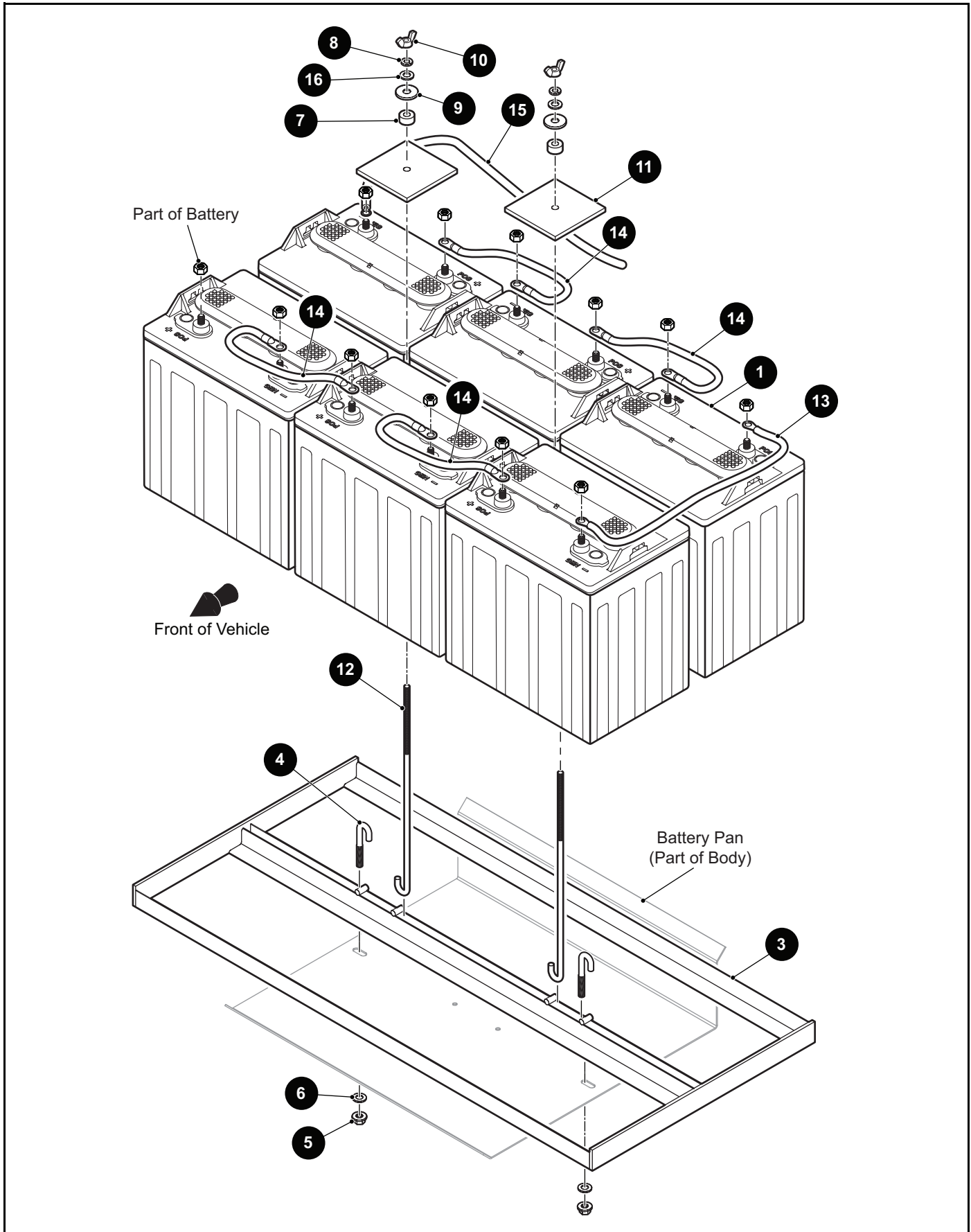
When ordering parts, please specify the model and serial number of the product.

* Indicates a component that is not available as an individual part.

*** Indicates consult Customer Service Department for additional information.

ITEM	PART NO.	1 2 3 4 5	DESCRIPTION	QTY.
1	661799		PEDAL GUARD	1
2	800026		PAN HEAD SCREW, 1/4" - 20 X 3/4" LG	2
3	306375		HEX NUT, 1/4" - 20	2
4	306396		LOCK WASHER, 1/4"	2
5	800557		CARRIAGE BOLT, 5/16" - 18 X 3/4" LG.....	4
6	548911		HEX NUT, 5/16" - 18	4
7	840419		SPEED CONTROL PEDAL.....	1
8	00565G8		LOCK WASHER, 5/16"	2

BATTERY SYSTEM



BATTERY SYSTEM

THE USE OF NON U.L. PARTS WILL VOID ANY U.L. LISTING.

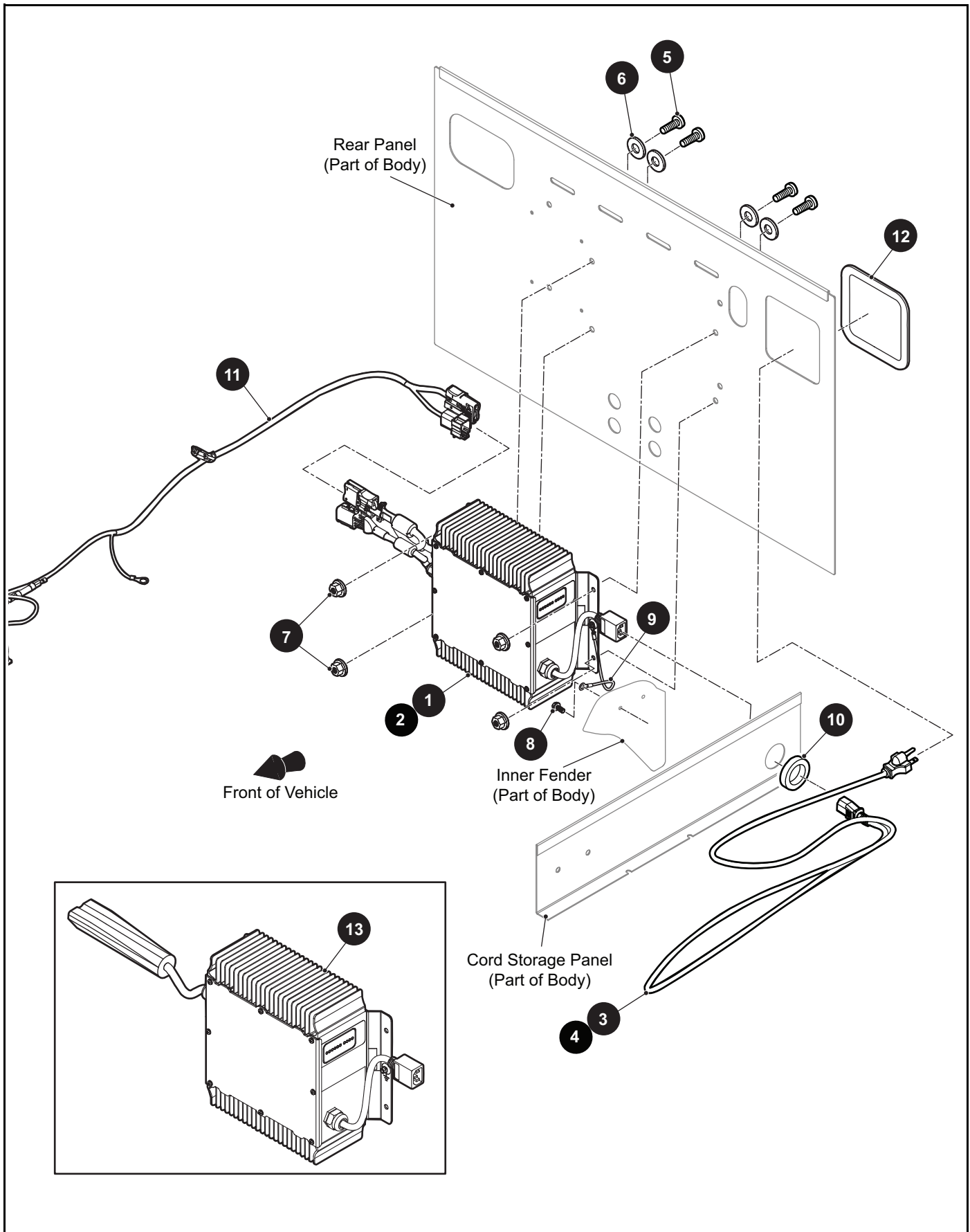
When ordering parts, please specify the model and serial number of the product.

* Indicates a component that is not available as an individual part.

*** Indicates consult Customer Service Department for additional information.

ITEM	PART NO.	1 2 3 4 5	DESCRIPTION	QTY.
1	612626		TROJAN BATTERY, 8V, T875.....	1
2				
3	628530		BATTERY RACK ASSEMBLY	1
4	628099		BATTERY HOLD DOWN BOLT	2
5	800697		CROWN LOCK NUT, 5/16" - 18.....	2
6	103867		FLAT WASHER, .31" X .69" X .06"	2
7	818303		SPACER (RUBBER)	2
8	306325		LOCK WASHER, 5/16"	2
9	809152		FLAT WASHER, .31" X 1.12" X .10"	2
10	800315		WING NUT, 5/16" - 18.....	2
11	840695		BATTERY HOLD DOWN PLATE	2
12	806954		BATTERY HOOK BOLT	2
13	25971G16		#4 AWG WIRE ASSEMBLY.....	1
14	628788		#4 AWG WIRE (BLACK), 10" LG	4
15	634270G09		#4 AWG BATTERY WIRE (BLACK), 22" LG	1
16	103867		FLAT WASHER, .31" X .69" X .06"	2

BATTERY CHARGER



BATTERY CHARGER

THE USE OF NON U.L. PARTS WILL VOID ANY U.L. LISTING.

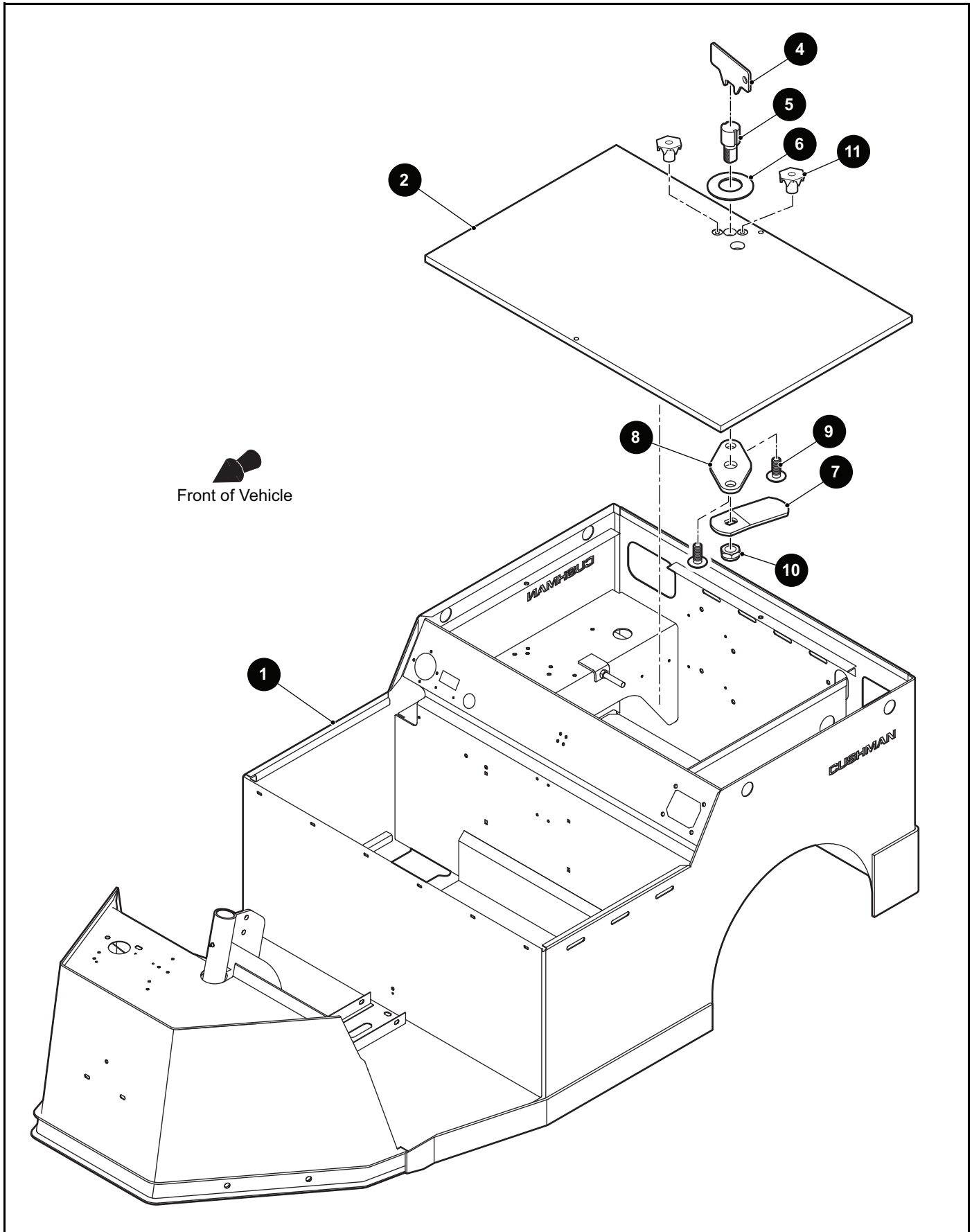
When ordering parts, please specify the model and serial number of the product.

* Indicates a component that is not available as an individual part.

*** Indicates consult Customer Service Department for additional information.

ITEM	PART NO.	1 2 3 4 5	DESCRIPTION	QTY.
1	642629		ON-BOARD CHARGER, 48V, 1000W	1
2	642451		ON-BOARD CHARGER, 48V, 1500W	1
3	600462G01		AC CORD (NEMA 5-15 PLUG)	1
4	600462G02		AC CORD (NEMA 6-15 PLUG)	1
5	800026		PAN HEAD PHILLIPS SCREW, 1/4" - 20 X 3/4" LG	4
6	26908G01		THRUST WASHER, .25" I. D.	4
7	548910		HEX NUT, 1/4" - 20	4
8	71102G02		FLANGED HEX HEAD BOLT, 1/4" - 20 X 5/8" LG	1
9	668709		CHARGER JUMPER HARNESS	1
10	829997		GROMMET	1
11	666468		ON-BOARD CHARGER HARNESS	1
12	22280G1		TRIM (BLACK), 1.54 FT	1
13	622419		OFF-BOARD CHARGER, 48V.....	1

BODY



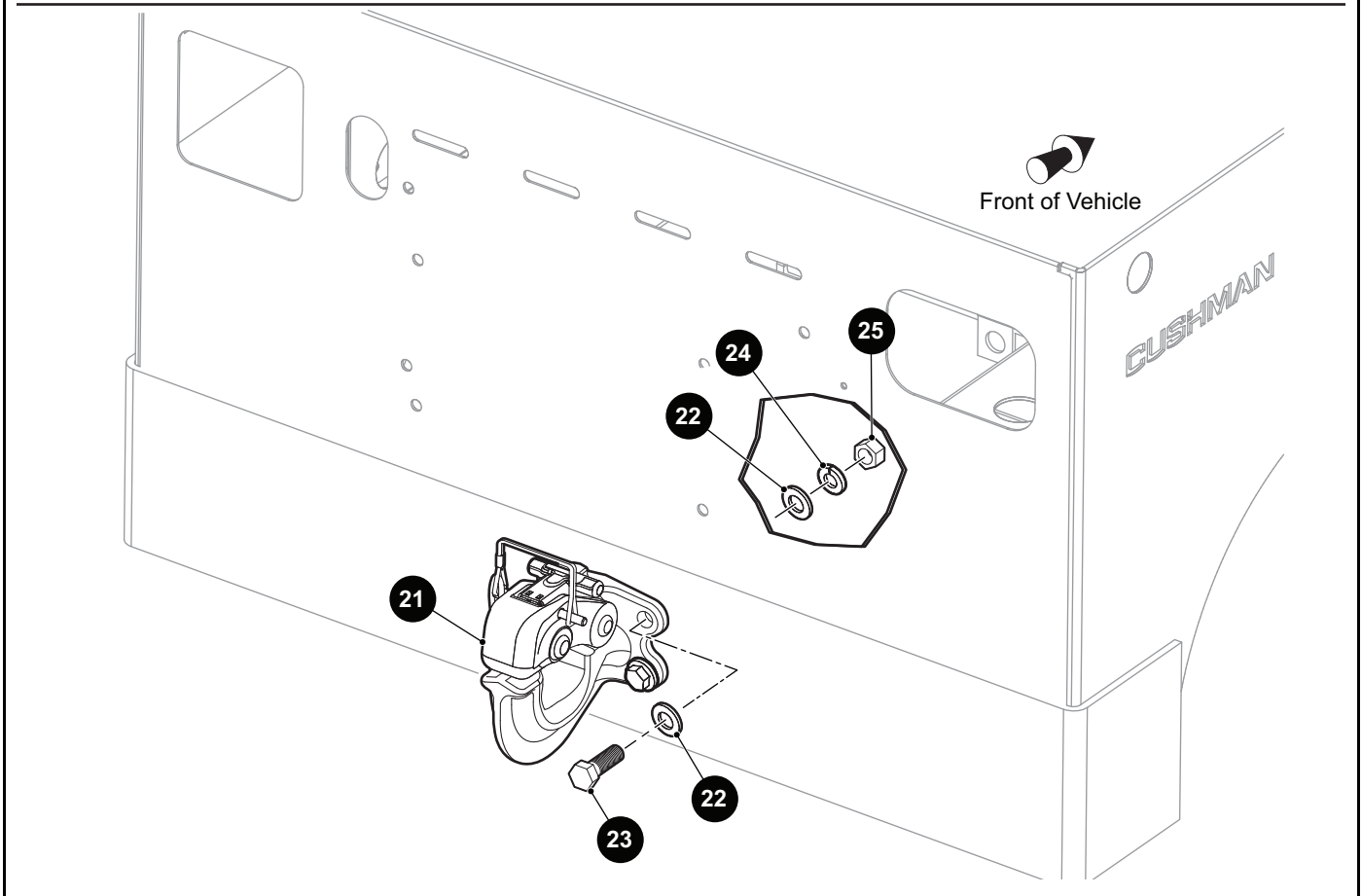
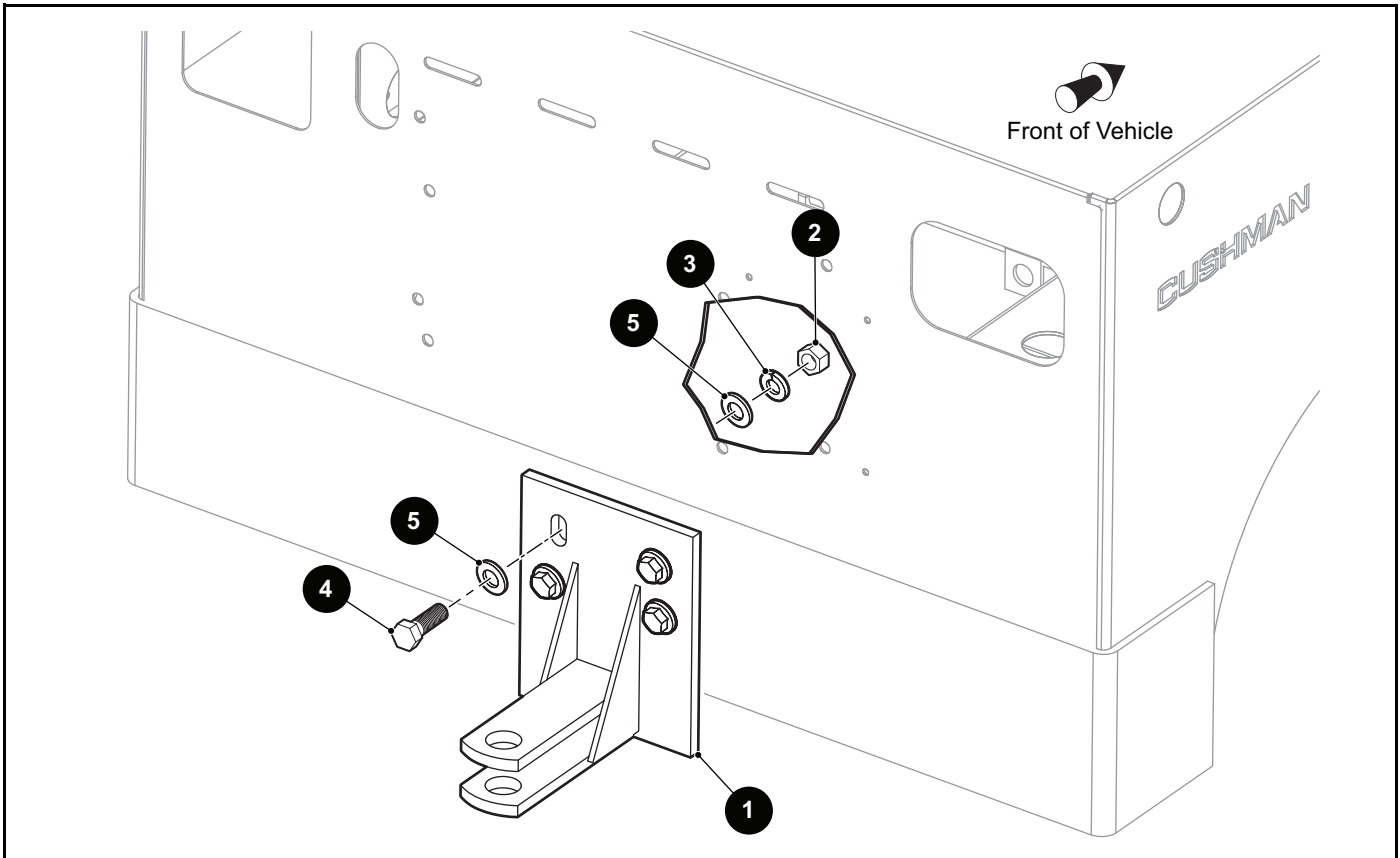
THE USE OF NON U.L. PARTS WILL VOID ANY U.L. LISTING.

When ordering parts, please specify the model and serial number of the product.

* Indicates a component that is not available as an individual part.

*** Indicates consult Customer Service Department for additional information.

ITEM	PART NO.	1 2 3 4 5	DESCRIPTION	QTY.
1	10007640G4XX		BODY (See COLOR CODE in HOW TO USE section).....	1
2	656574		DECKBOARD (REAR).....	1
3				
4	601841		KEY.....	1
5	35244G01		LATCH PIN.....	1
6	34434G01		WASHER (BELLEVILLE).....	1
7	34433G01		LATCH.....	1
8	34431G01		LATCH PLATE	1
9	16705G2		PAN HEAD SCREW (SS), 1/4" - 20 X 5/8" LG	2
10	14390G1		LOCK NUT, 3/8" - 24.....	1
11	11782G2		TEE NUT, 1/4" - 20.....	2



THE USE OF NON U.L. PARTS WILL VOID ANY U.L. LISTING.

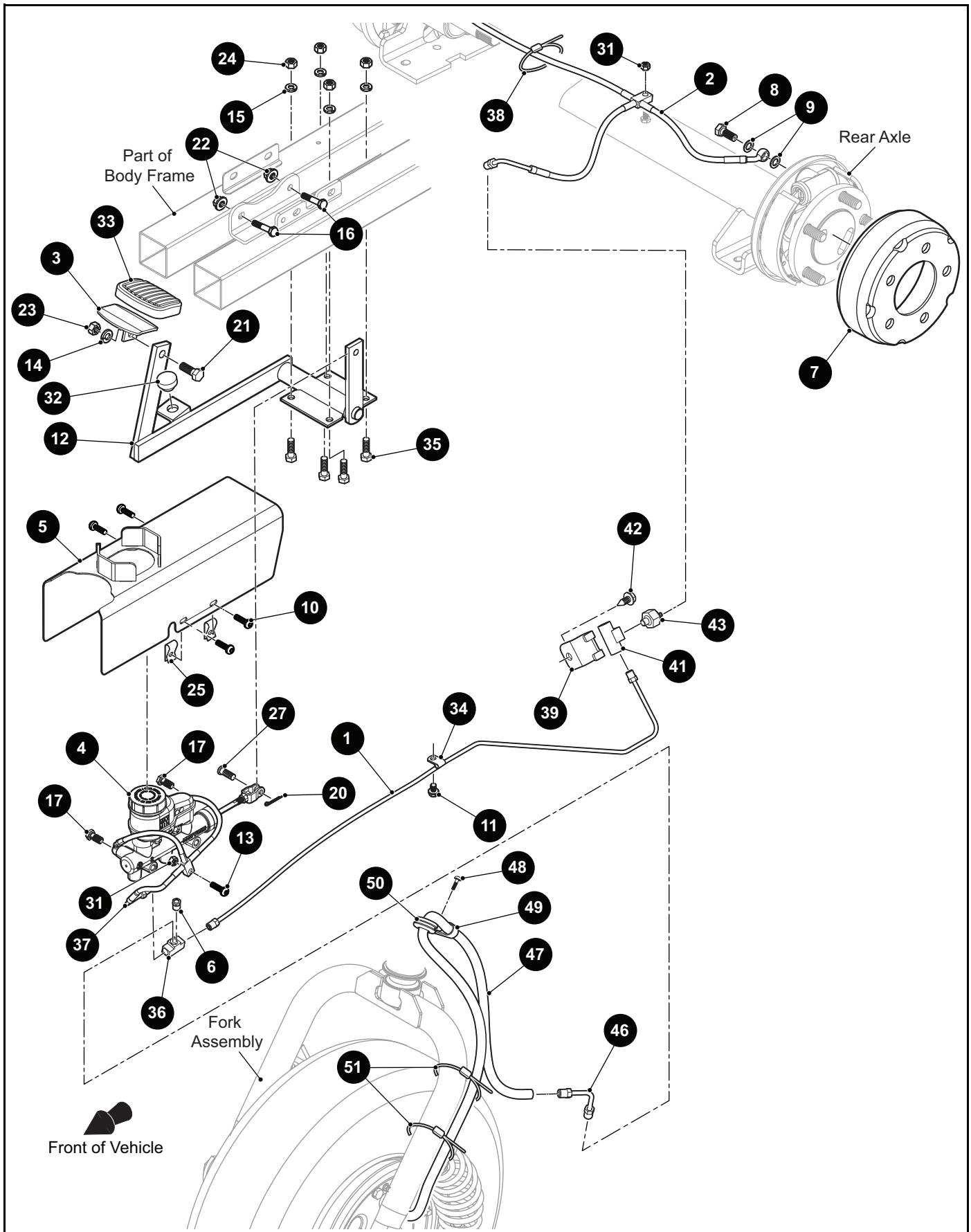
When ordering parts, please specify the model and serial number of the product.

* Indicates a component that is not available as an individual part.

*** Indicates consult Customer Service Department for additional information.

ITEM	PART NO.	1 2 3 4 5	DESCRIPTION	QTY.
1	893025G01		CLEVIS HITCH	1
2	308332		HEX NUT, 1/2" - 13	4
3	120166		LOCK WASHER, 1/2"	4
4	311401		HEX HEAD BOLT, 1/2" - 13 X 1 1/2" LG	4
5	00560G3		FLAT WASHER, 1/2"	8
6				
7				
8				
9				
10				
11				
12				
13				
14				
15				
16				
17				
18				
19				
20				
21	825153		PINTLE HOOK	1
22	00560G3		FLAT WASHER, 1/2"	8
23	311401		HEX HEAD BOLT, 1/2" - 13 X 1 1/2" LG	4
24	120166		LOCK WASHER, 1/2"	4
25	308332		HEX NUT, 1/2" - 13	4

BRAKES



THE USE OF NON U.L. PARTS WILL VOID ANY U.L. LISTING.

When ordering parts, please specify the model and serial number of the product.

* Indicates a component that is not available as an individual part.

*** Indicates consult Customer Service Department for additional information.

ITEM	PART NO.	1 2 3 4 5	DESCRIPTION	QTY.
1	665231		BRAKE LINE (SOLID).....	1
2	666070		BRAKE LINE (FLEXIBLE).....	1
3	875212		PEDAL	1
4	631593		MASTER CYLINDER ASSEMBLY	1
5	10006881		MASTER CYLINDER COVER	1
6	809423		BRAKE LINE PLUG (FOR VEHICLES WITHOUT FRONT WHEEL BRAKE) .	1
7	629111		AXLE DRUM (5 LUG), 160MM	2
8	75683G01		BANJO BOLT	2
9	75684G01		GASKET (COPPER).....	4
10	800026		PAN HEAD PHILLIPS SCREW, 1/4" - 20 X 3/4" LG	4
11	800869		HEX WASHER HEAD TAPPING SCREW, 1/4" - 20 X 3/8" LG	1
12	10006837		BRAKE PEDAL ASSEMBLY	1
13	800017		PAN HEAD PHILLIPS SCREW, 1/4" - 20 X 1" LG	1
14	120177		LOCK WASHER, 3/8"	1
15	306325		LOCK WASHER, 5/16"	4
16	00439G8		HEX HEAD BOLT, 5/16" - 18 X 2" LG, GRADE 5	2
17	613292		BANJO BOLT, M10- 1.25	2
18				
19				
20	01076G01		COTTER PIN	1
21	306414		HEX HEAD BOLT, 3/8" - 16 X 1" LG	1
22	800697		CROWN LOCK NUT, 5/16" - 18	2
23	306562		HEX NUT, 3/8" - 16	1
24	306932		HEX NUT, 5/16" - 18	4
25	800279		SPEED NUT (U-TYPE), 1/4" - 20.....	4
26				
27	10386G2		CLEVIS PIN,	1
28				
29				
30				
31	306375		HEX NUT, 1/4" - 20	2

BRAKES

THE USE OF NON U.L. PARTS WILL VOID ANY U.L. LISTING.

When ordering parts, please specify the model and serial number of the product.

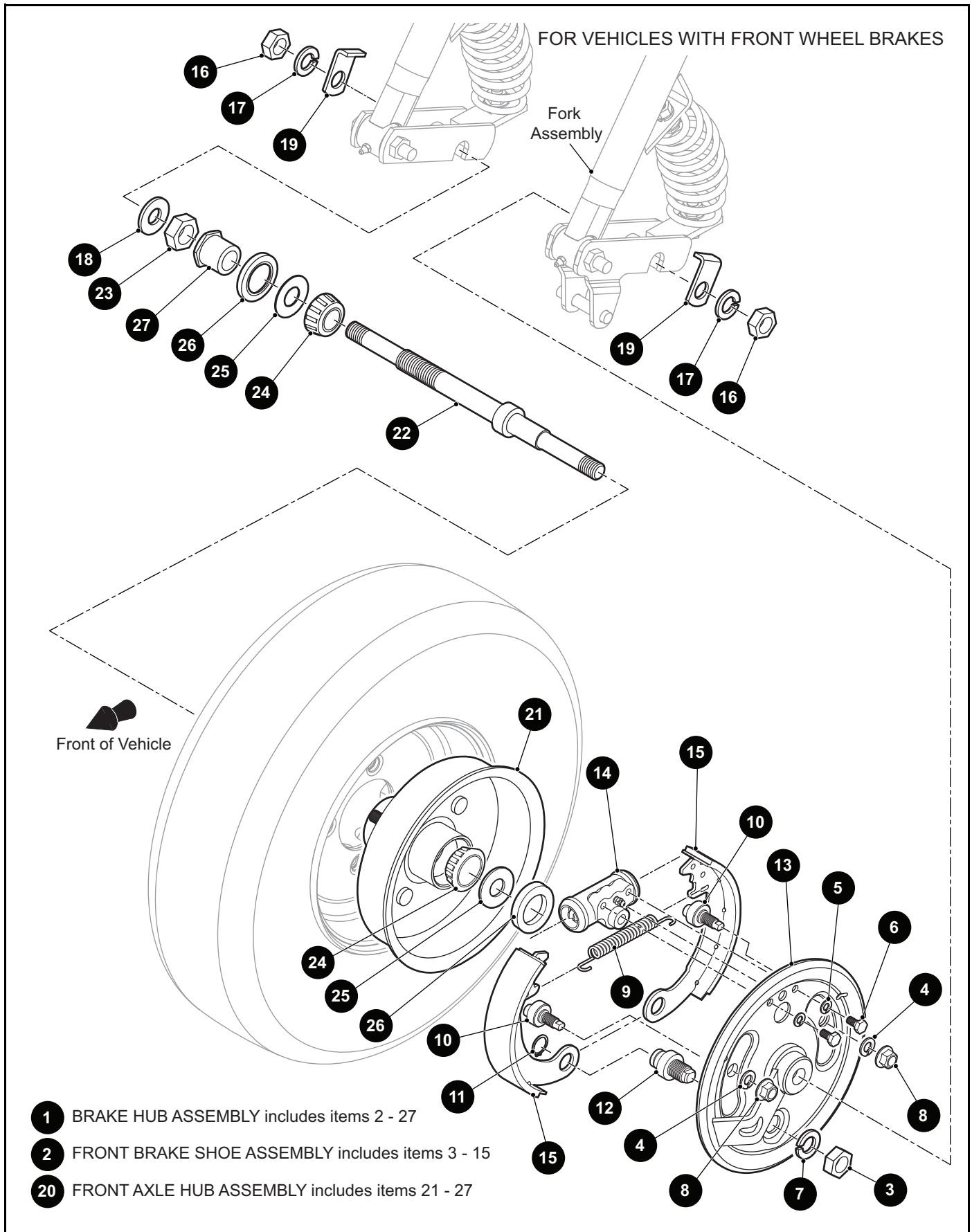
* Indicates a component that is not available as an individual part.

*** Indicates consult Customer Service Department for additional information.

ITEM	PART NO.	1 2 3 4 5	DESCRIPTION	QTY.
32	810149		BUMPER (RUBBER).....	1
33	810152		PEDAL COVER	1
34	812445		CLAMP, .188" I.D.	1
35	306416		HEX HEAD BOLT, 5/16" - 18 X 1" LG.....	4
36	820008		TEE FITTING.....	1
37	10010150		HYDRAULIC BRAKE LINE.....	1
38	670652		NYLON CLAMP.....	1
39	670897		CLAMP BRACKET (T-FITTING).....	1
40				
41	826587		TEE (FRAME).....	1
42	00715G2		HEX WASHER HEAD BOLT, 5/16" - 18 X .8" LG.....	1
43	21510G1		SWITCH	1
44				
45				
FOR VEHICLES WITH FRONT WHEEL BRAKES (ITEMS 46 - 51)				
46	831977		BRAKE LINE (TEE TO FRONT BRAKE HOSE)	1
47	826603		HYDRAULIC BRAKE HOSE	1
48	00614G4		PAN HEAD PHILLIPS SELF TAPPING SCREW, #8 - 18 X 1/2" LG	1
49	814924		TUBE CLAMP, 1.438" I.D.	1
50	809231		GROMMET	1
51	12416G2		NYLON CLAMP, 10" LG	2

BRAKES

FOR VEHICLES WITH FRONT WHEEL BRAKES



- 1 BRAKE HUB ASSEMBLY includes items 2 - 27
- 2 FRONT BRAKE SHOE ASSEMBLY includes items 3 - 15
- 20 FRONT AXLE HUB ASSEMBLY includes items 21 - 27

THE USE OF NON U.L. PARTS WILL VOID ANY U.L. LISTING.

When ordering parts, please specify the model and serial number of the product.

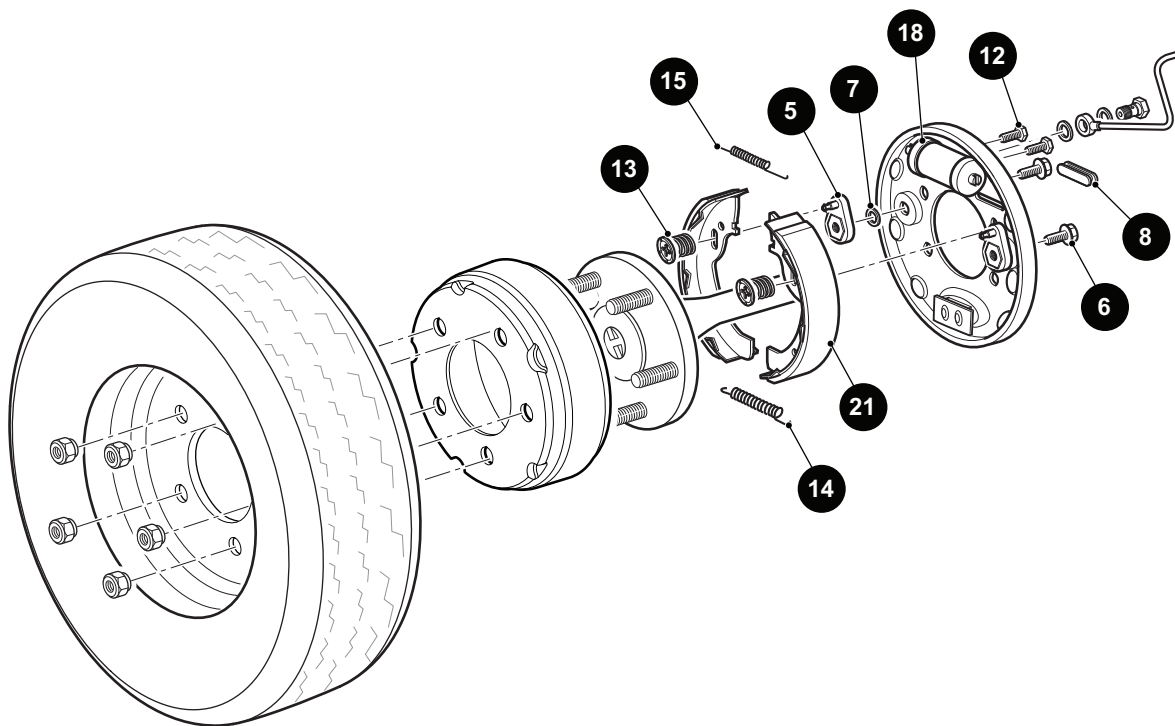
* Indicates a component that is not available as an individual part.

*** Indicates consult Customer Service Department for additional information.

ITEM	PART NO.	1 2 3 4 5	DESCRIPTION	QTY.
1	887194		BRAKE HUB ASSEMBLY (INCLUDES ITEMS 2 - 27).....	1
2	878482		FRONT BRAKE SHOE ASSEMBLY (INCLUDES ITEMS 3 - 15)	1
3	304104		HEX JAM NUT, 5/8" - 18	1
4	306353		LOCK WASHER, .382" X .678" X .07"	2
5	306396		LOCK WASHER, 1/4"	2
6	306419		HEX HEAD BOLT, 1/4" - 20 X 1/2" LG	2
7	306494		LOCK WASHER, .636" X 1.082" X .201"	1
8	601084		LOCK NUT, 3/8" - 24	2
9	805441		EXTENSION SPRING.....	1
10	806761		ADJUSTING PIN.....	2
11	809252		RETAINING RING (EXTERNAL)	1
12	829348		BRAKE SHOE PIVOT	1
13	878483		BRAKE SHIELD ASSEMBLY	1
14	886371		WHEEL CYLINDER	1
15	887284		BRAKE SHOE.....	2
16	304104		HEX JAM NUT, 5/8" - 18.....	2
17	306494		LOCK WASHER, .636" X 1.082" X .201".....	2
18	809156		FLAT WASHER, .62" X 1.38" X .13"	1
19	832492		LOCKING TAB.....	2
20	887592		FRONT AXLE HUB ASSEMBLY (INCLUDES ITEMS 21 - 27)	1
21	879601		HUB.....	1
22	887193		AXLE	1
23	307665		HEX JAM NUT, 3/4" - 16	1
24	882582		CONE BEARING.....	2
25	809229		FLAT WASHER, .62" X 1.07" X .07"	2
26	807630		GREASE SEAL	2
27	836719		BEARING NUT.....	1

REAR WHEEL BRAKE

- 1** HYDRAULIC BRAKE ASSEMBLY (DRIVER SIDE) includes items 4 - 19, 21
- 2** HYDRAULIC BRAKE ASSEMBLY (PASSENGER SIDE) includes items 4 - 18, 20, 21
- 4** ADJUSTER KIT includes items 5 - 8
- 11** HARDWARE KIT includes items 12 - 15



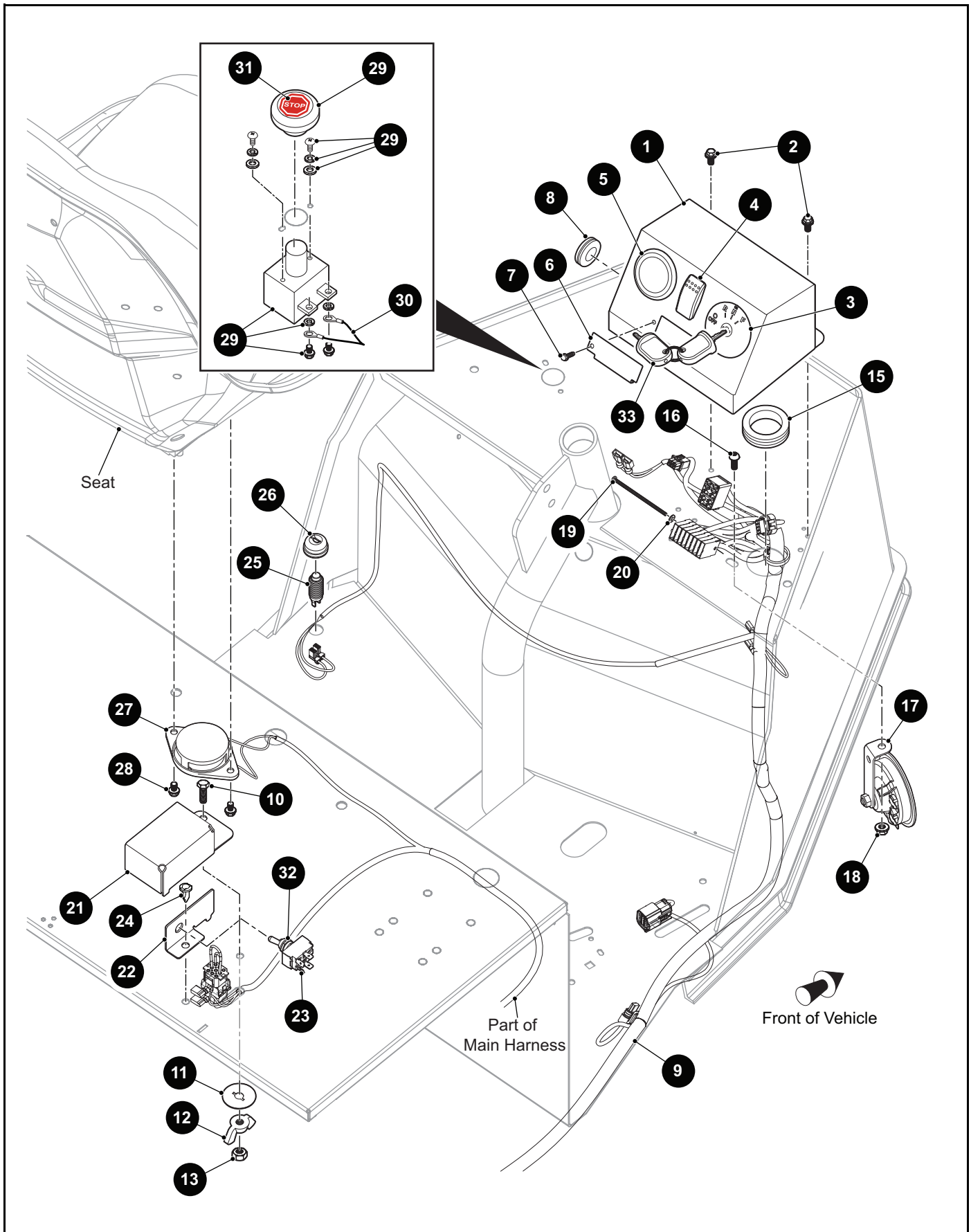
THE USE OF NON U.L. PARTS WILL VOID ANY U.L. LISTING.

When ordering parts, please specify the model and serial number of the product.

* Indicates a component that is not available as an individual part.

*** Indicates consult Customer Service Department for additional information.

ITEM	PART NO.	1 2 3 4 5	DESCRIPTION	QTY.
1	75685G01		HYDRAULIC BRAKE ASSEMBLY (DRIVER SIDE) (INCLUDES ITEMS 4 - 19, 21)	1
2	75685G02		HYDRAULIC BRAKE ASSEMBLY (PASSENGER SIDE) (INCLUDES ITEMS 4 - 18, 20, 21)	1
3				
4	75826G01		ADJUSTER KIT (INCLUDES ITEMS 5 - 8)	1
5	4170096		ADJUSTER LEVER	1
6	4170339		HEX HEAD BOLT, 1/4" - 28 X 1/2" LG	4
7	4170340		BELLEVILLE WASHER	4
8	10226		DUST COVER.....	2
9				
10				
11	75827G01		HARDWARE KIT (INCLUDES ITEMS 12 - 15)	1
12	22972		WHEEL CYLINDER BOLT	4
13	3206712		CUP AND SPRING ASSEMBLY.....	4
14	4152055		LOWER RETURN SPRING	2
15	4170102		UPPER RETURN SPRING	2
16				
17				
18	75828G01		WHEEL CYLINDER.....	1
19	75829G01		PARK BRAKE WHEEL LEVER (DRIVER SIDE) (NOT ILLUSTRATED)...	1
20	75829G02		PARK BRAKE WHEEL LEVER (PASSENGER SIDE) (NOT ILLUSTRATED).....	1
21	75830G01		BRAKE SHOE	2



THE USE OF NON U.L. PARTS WILL VOID ANY U.L. LISTING.

When ordering parts, please specify the model and serial number of the product.

* Indicates a component that is not available as an individual part.

*** Indicates consult Customer Service Department for additional information.

ITEM	PART NO.	1 2 3 4 5	DESCRIPTION	QTY.
1	662411		DASH PANEL.....	1
2	71102G02		HEX WASHER HEAD BOLT, 1/4" - 20 X 1/2" LG	2
3	611283		KEYSWITCH.....	1
4	618789		HEADLIGHT SWITCH	1
5	664766		MULTI-FUNCTIONAL GAUGE.....	1
6	662350		DASH COVER (FUSE BOX).....	1
7	635530		TAPTITE SCREW, #10 - 32 X .72" LG.....	1
8	810446		GROMMET (RUBBER).....	1
9	660475		MAIN HARNESS.....	1
10	00439G4		HEX HEAD BOLT, 5/16" - 18 X 1 1/2" LG	1
11	800874		FLAT WASHER, .34" X 1.25" X .04"	1
12	800315		WING NUT, 5/16" - 18.....	1
13	800290		HEX CENTER LOCK NUT, 5/16" - 18.....	1
14				
15	828247		GROMMET (RUBBER).....	1
16	800017		PAN HEAD PHILLIPS SCREW, 1/4" - 20 X 1" LG	1
17	629676		HORN WITH BRACKET	1
18	548910		HEX NUT, 1/4" - 20	1
19	665567		PHILLIPS HEAD SCREW, #4 - 40 X 2 3/8" LG	1
20	00559G1		FLAT WASHER, .125" X .25" X .028"	1
21	666440		RUN/TOW SWITCH COVER	1
22	663767		RUN/TOW SWITCH BRACKET	1
23	650304G01		RUN/TOW SWITCH.....	1
24	667790		REMOVABLE RIVET, .320".....	1
25	629241		MOMENTARY SWITCH (HORN).....	1
26	17318G2		CAP AND NUT (HORN).....	1
27	158135-01		SEAT SWITCH.....	1
28	71102G02		HEX WASHER HEAD BOLT, 1/4" - 20 X 1/2" LG	2
29	627286		E-STOP BUTTON	1
30	674218		E-STOP HARNESS	1
31	630042		E-STOP LABEL.....	1

ELECTRICAL

THE USE OF NON U.L. PARTS WILL VOID ANY U.L. LISTING.

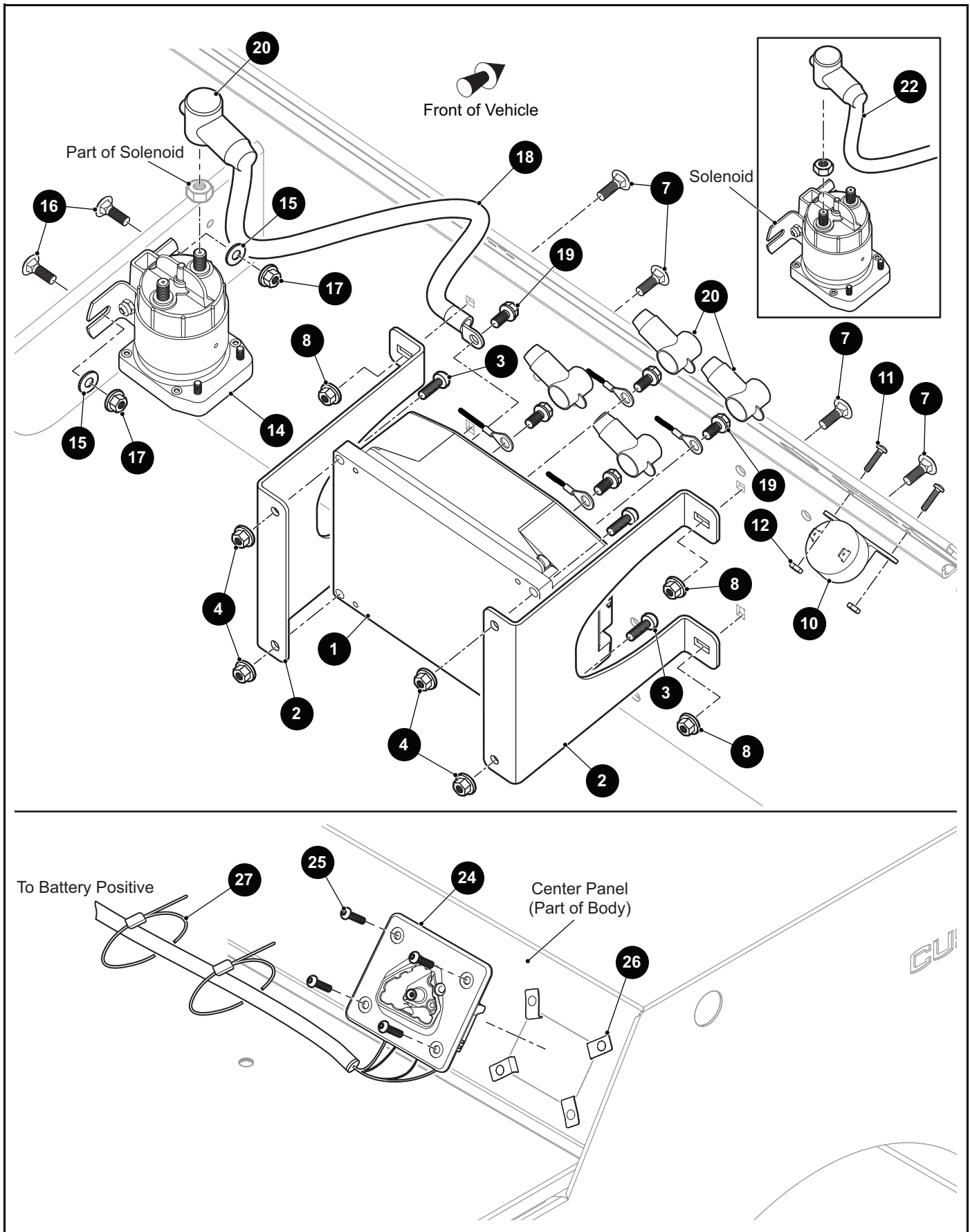
When ordering parts, please specify the model and serial number of the product.

* Indicates a component that is not available as an individual part.

*** Indicates consult Customer Service Department for additional information.

ITEM	PART NO.	1 2 3 4 5	DESCRIPTION	QTY.
32	73139G01		SEAL NUT	1
33	611282		COMMON KEY SET	1

ELECTRICAL



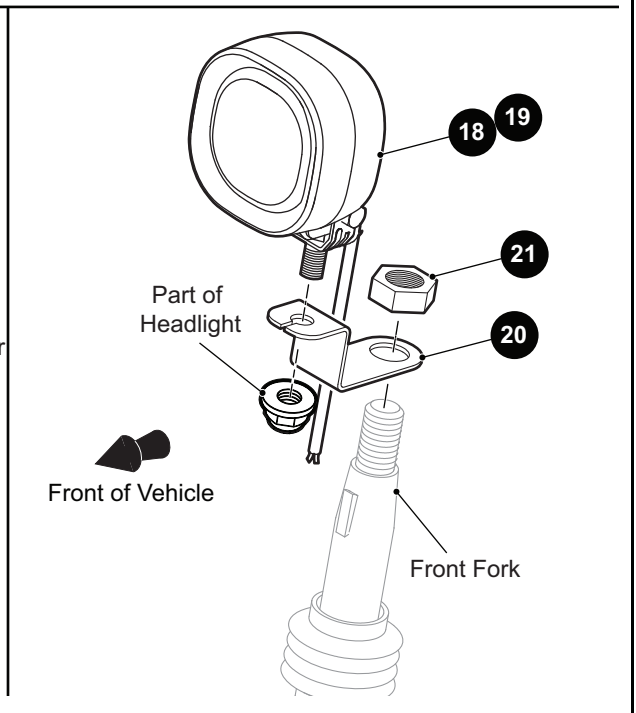
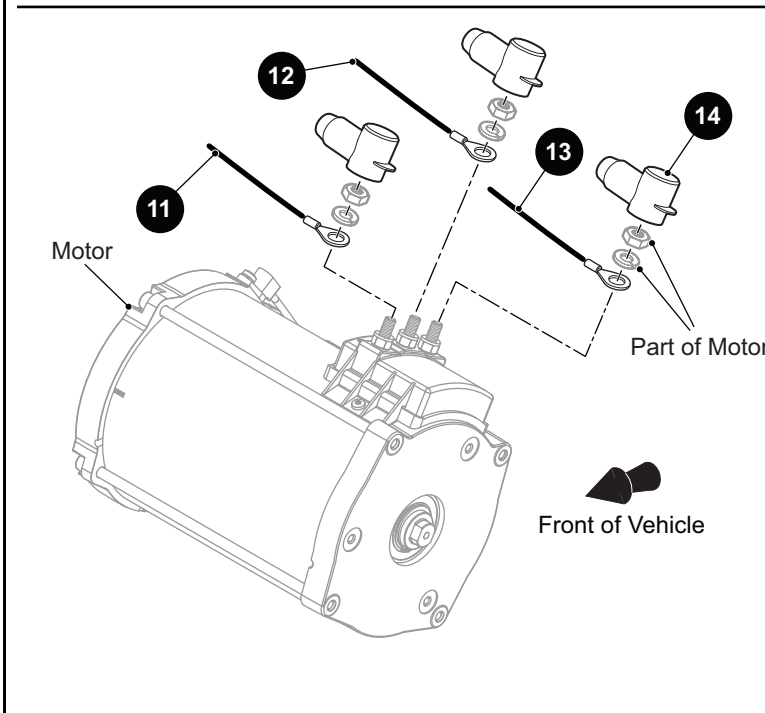
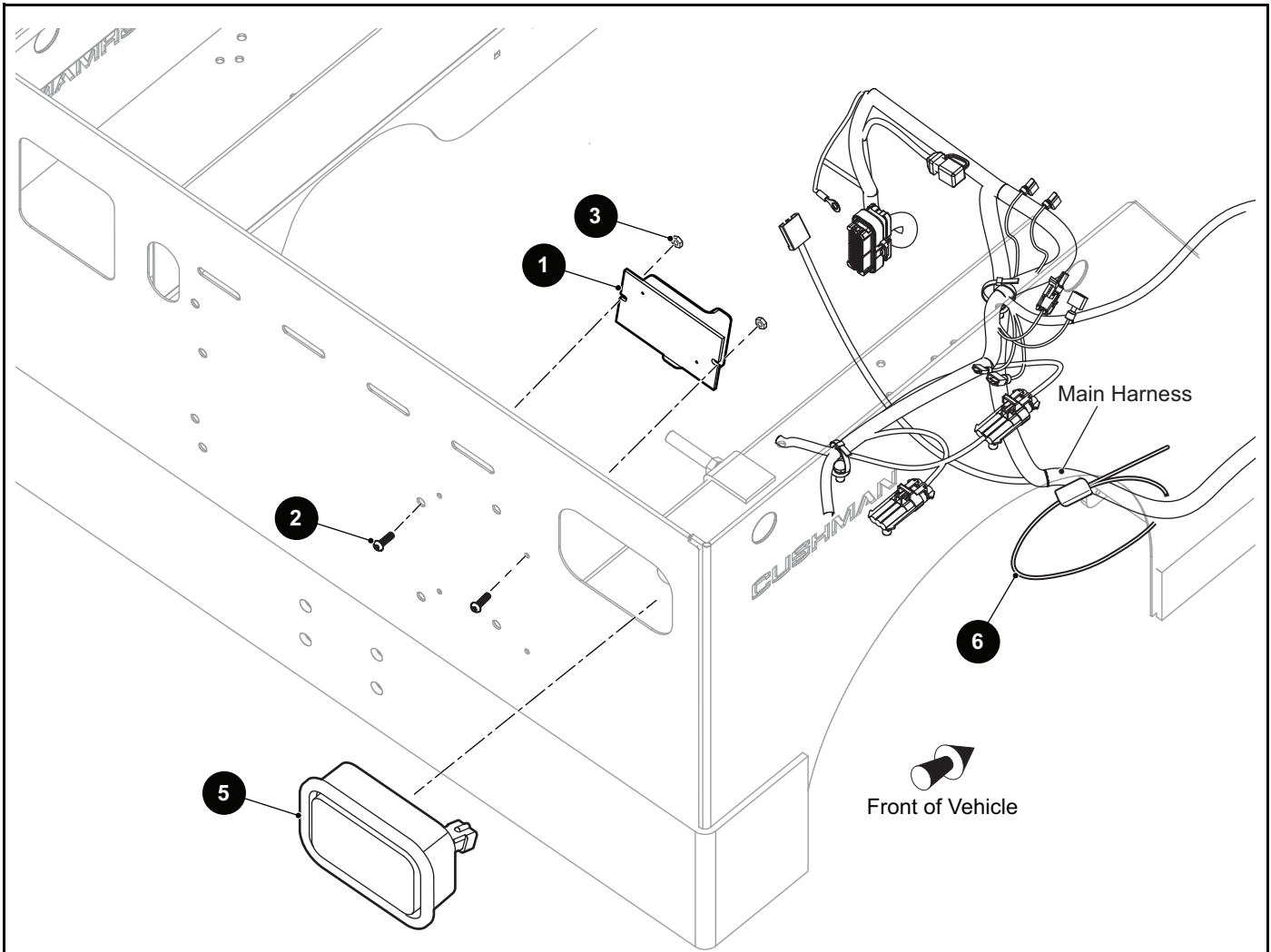
THE USE OF NON U.L. PARTS WILL VOID ANY U.L. LISTING.

When ordering parts, please specify the model and serial number of the product.

* Indicates a component that is not available as an individual part.

*** Indicates consult Customer Service Department for additional information.

ITEM	PART NO.	1 2 3 4 5	DESCRIPTION	QTY.
1	664366		CONTROLLER.....	1
2	659504		CONTROLLER BRACKET.....	2
3	800017		PAN HEAD PHILLIPS SCREW, 1/4" - 20 X 1" LG.....	4
4	548910		SERATED FLANGED HEX NUT, 1/4" - 20.....	4
5				
6				
7	630763		CARRIAGE BOLT, 1/4" - 20 X 1 1/2" LG.....	4
8	548910		HEX NUT, 1/4" - 20.....	4
9				
10	73290G02		BUZZER.....	1
11	00645G5		PAN HEAD PHILLIPS SCREW, #6 - 32 X .62" LG.....	2
12	00525G5		HEX NUT, #6 - 32.....	2
13				
14	621330		SOLENOID.....	1
15	308090		FLAT WASHER, .25" X .62" X .05".....	2
16	630763		CARRIAGE BOLT, 1/4" - 20 X 1 1/2" LG.....	2
17	548910		SERATED FLANGED HEX NUT, 1/4" - 20.....	2
18	665902G01		#4 AWG HARNESS (RED), (SOLENOID TO B+ CONTROLLER).....	1
19	73876G01		FLANGED HEX HEAD BOLT, M6 - 1 X 12MM LG.....	5
20	840177		TERMINAL BOOT.....	5
21				
22	665902G02		# 4AWG RED CABLE (B+ TO SOLENOID) (FOR VEHICLES WITHOUT E - STOP)	1
23				
24	667866		RECEPTACLE HARNESS (FOR VEHICLES WITHOUT ON-BOARD CHARGER).....	1
25	601326		BUTTON HEAD TORX BOLT, M6 - 1 X 20MM LG.....	4
26	602409		BARREL CLIP, M6 - 1.....	4
27	320107		TIE STRAP.....	2



THE USE OF NON U.L. PARTS WILL VOID ANY U.L. LISTING.

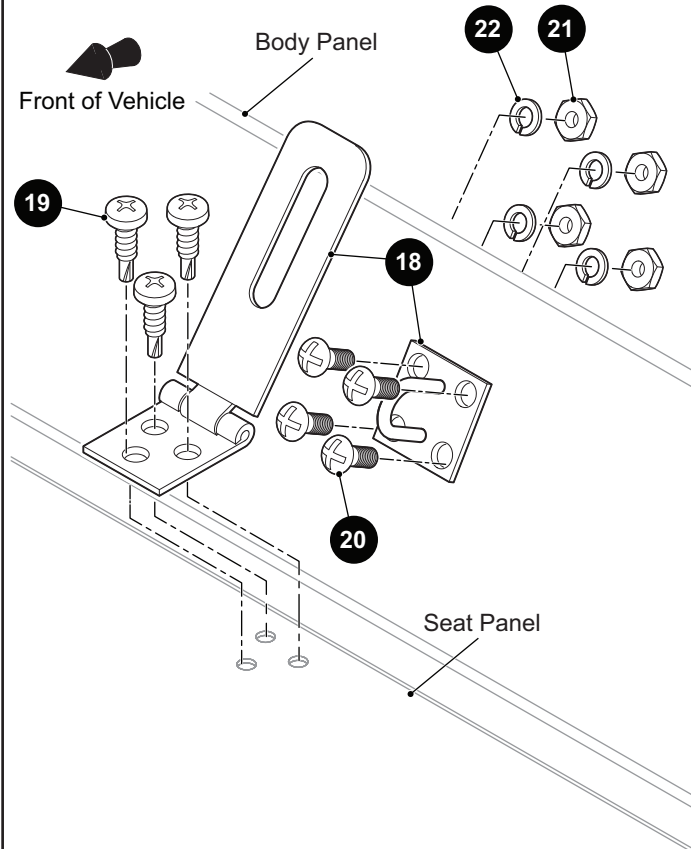
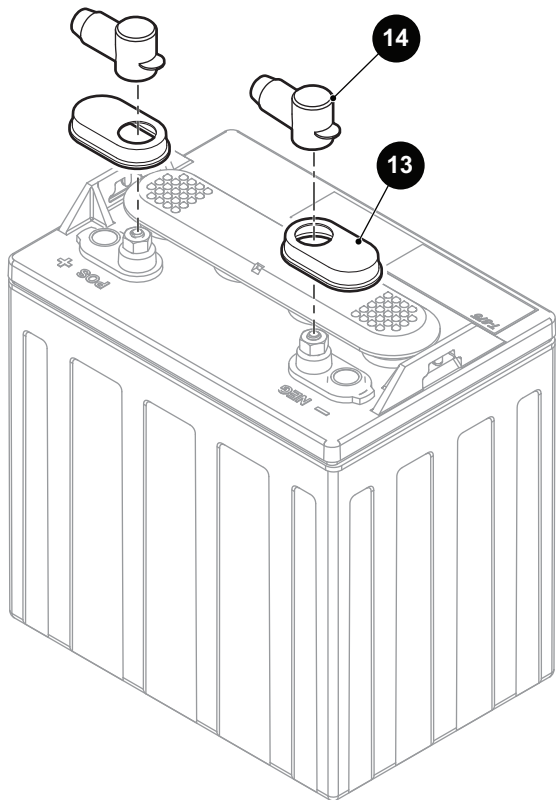
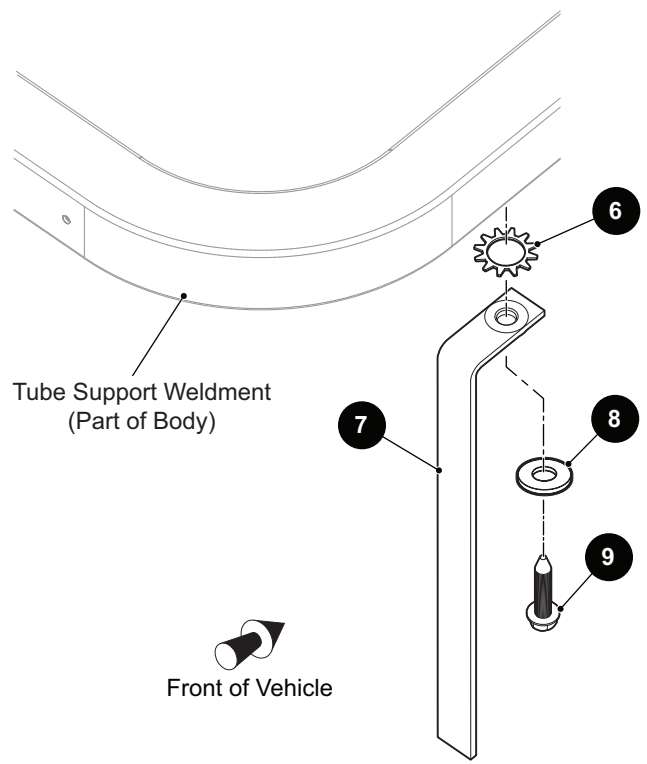
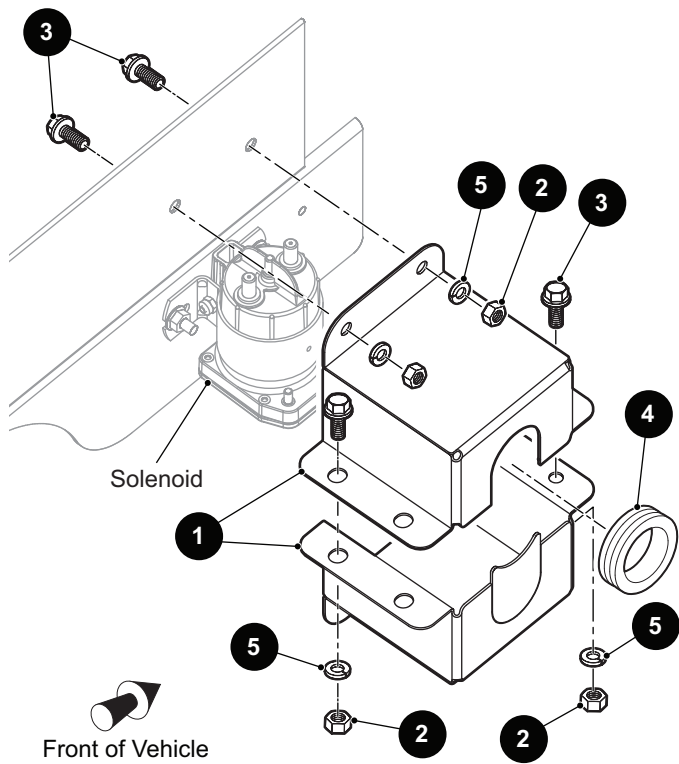
When ordering parts, please specify the model and serial number of the product.

* Indicates a component that is not available as an individual part.

*** Indicates consult Customer Service Department for additional information.

ITEM	PART NO.	1 2 3 4 5	DESCRIPTION	QTY.
1	10116172		DC-DC CONVERTER	1
2	800296		PAN HEAD PHILLIPS SCREW, #10 - 24 X 3/4" LG	2
3	00526G3		HEX NUT, #10 - 24.....	2
4				
5	667007		LED TAIL LIGHT WITH GANG CONNECTOR.....	1
6	17618G1		NYLON CLAMP, 8" LG.....	1
7				
8				
9				
10				
11	666101G01		# 2AWG MOTOR WIRE (U).....	1
12	666101G02		# 2AWG MOTOR WIRE (V).....	1
13	666101G03		# 2AWG MOTOR WIRE (W).....	1
14	840177		TERMINAL BOOT.....	3
15				
16				
17				
18	667005		LED HEADLIGHT ASSEMBLY.....	1
19	629122		HEADLIGHT ASSEMBLY.....	1
20	651088		BRACKET	1
21	305134		HEX JAM NUT, 7/8" - 14	1

FOR CE/EE VEHICLES



THE USE OF NON U.L. PARTS WILL VOID ANY U.L. LISTING.

When ordering parts, please specify the model and serial number of the product.

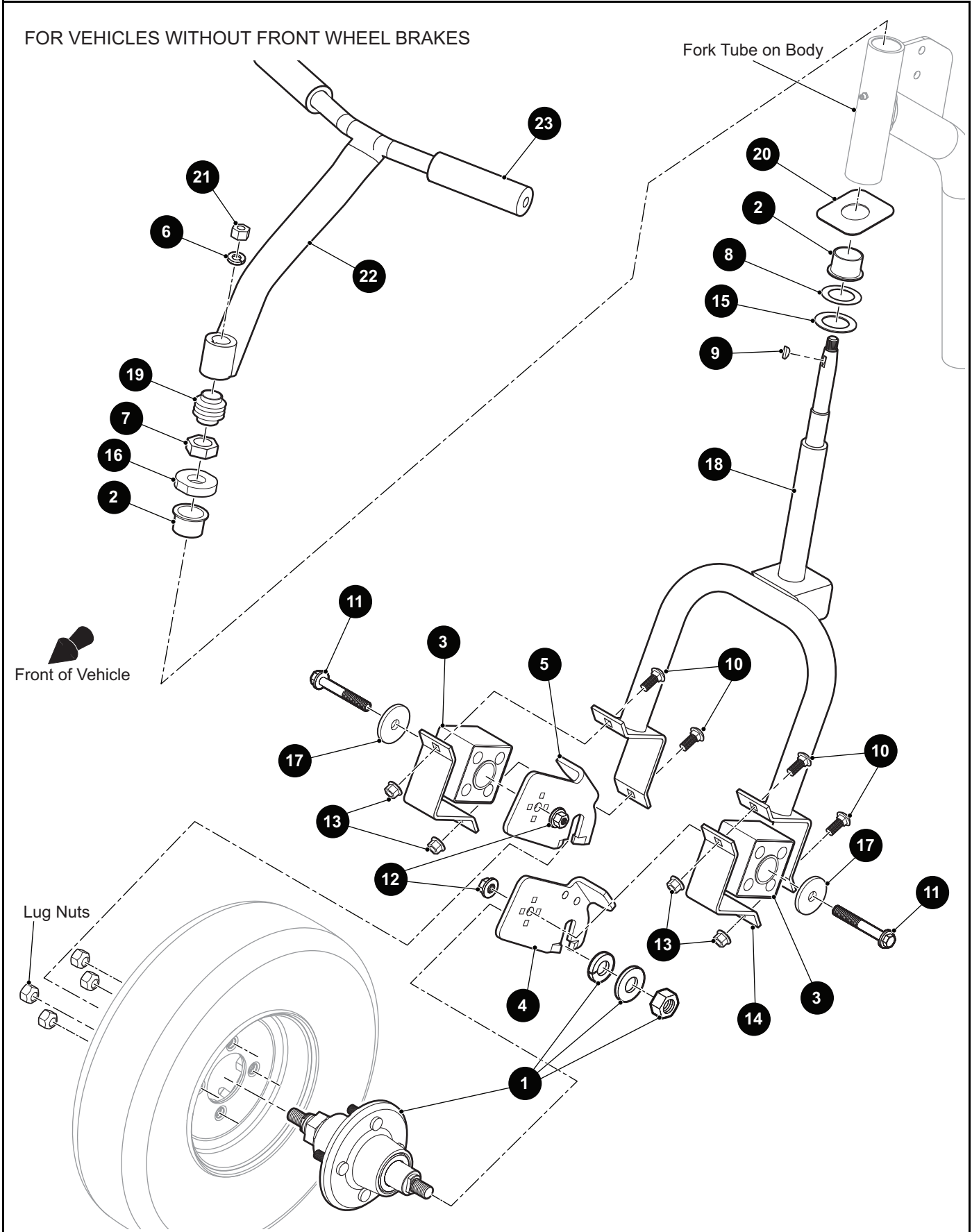
* Indicates a component that is not available as an individual part.

*** Indicates consult Customer Service Department for additional information.

ITEM	PART NO.	1 2 3 4 5	DESCRIPTION	QTY.
1	666439		SOLENOID COVER (SPARK PROTECTOR).....	2
2	306932		HEX NUT, 5/16" - 18	4
3	548604		HEX HEAD BOLT, 5/16" - 18 X 3/4" LG	4
4	828247		GROMMET (RUBBER).....	1
5	306325		LOCK WASHER, 5/16"	4
6	00568G4		EXTERNAL LOCK WASHER (TOOTH TYPE).....	1
7	35213G02		GROUND CONDUCTIVE STRAP	1
8	800874		FLAT WASHER, .34" X 1.25" X .04"	1
9	71398G01		HEX WASHER HEAD TAPPING SCREW, 1/4" - 20 X 1 1/4" LG	1
10				
11				
12				
13	631156		TERMINAL PROTECTOR.....	1
14	840177		TERMINCAL BOOT	1
15				
16				
17				
18	2702994		HASP	1
19	00106G6		PAN HEAD PHILLIPS SCREW, #12 - 24 X 3/4" LG	3
20	00379G4		PAN HEAD PHILLIPS SCREW, #10 - 24 X 1/2" LG	4
21	00526G3		HEX NUT, #10 - 24.....	4
22	120052		LOCK WASHER, #10.....	4

FORK AND HANDLE BAR

FOR VEHICLES WITHOUT FRONT WHEEL BRAKES



FORK AND HANDLE BAR

THE USE OF NON U.L. PARTS WILL VOID ANY U.L. LISTING.

When ordering parts, please specify the model and serial number of the product.

* Indicates a component that is not available as an individual part.

*** Indicates consult Customer Service Department for additional information.

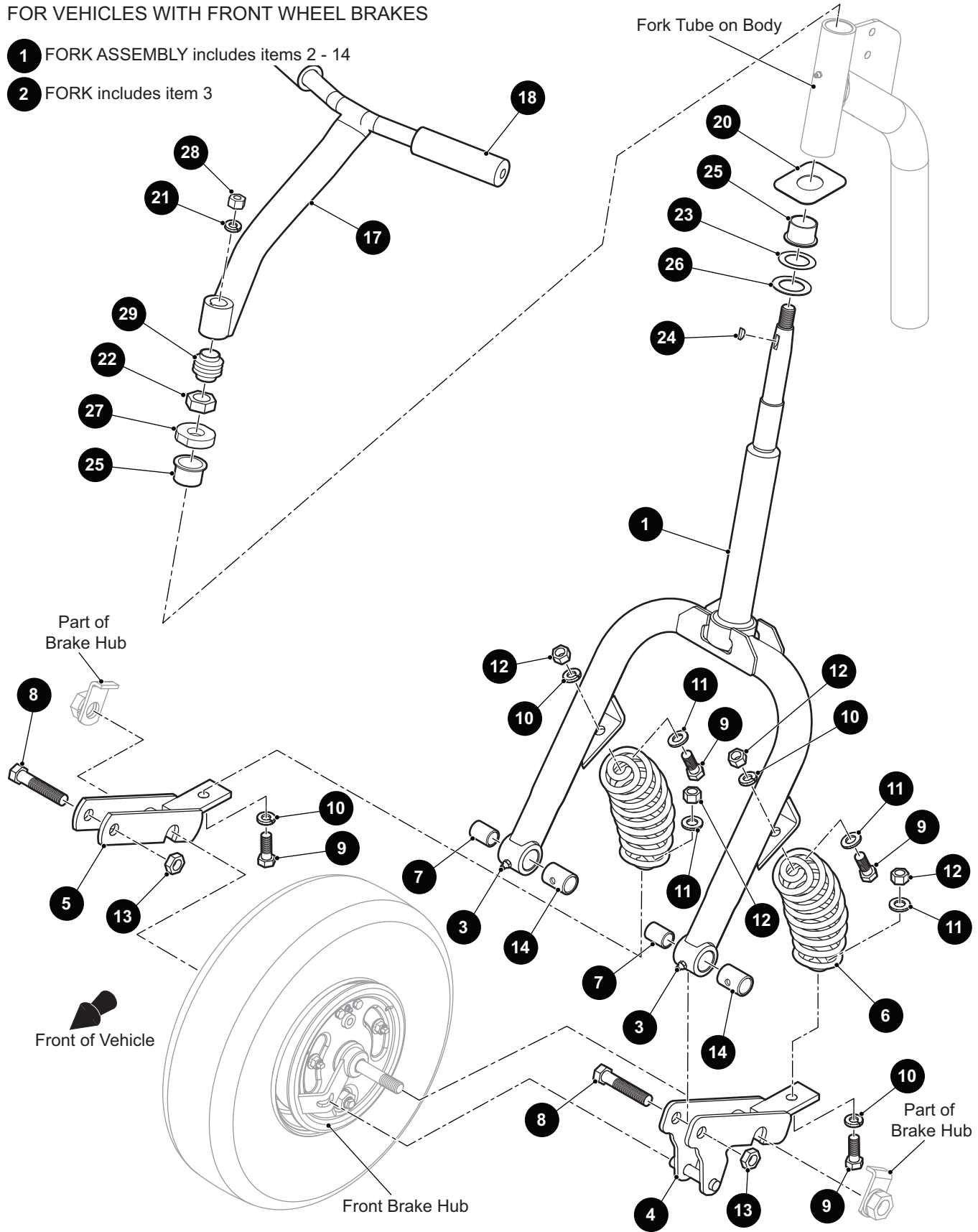
ITEM	PART NO.	1 2 3 4 5	DESCRIPTION	QTY.
1	632438		HUB ASSEMBLY WITHOUT FRONT BRAKE	1
2	840324		FLANGED BEARING	2
3	72995G01		SUSPENSION MOUNT ASSEMBLY	2
4	840689		FORK BRACKET (LEFT SIDE)	1
5	632673		FORK BRACKET (RIGHT SIDE)	1
6	120166		LOCK WASHER, 1/2"	1
7	305134		HEX JAM NUT, 7/8" - 14	1
8	520231		THRUST WASHER, 1.25" X 1.92" X .03"	1
9	551041		WOODRUFF KEY, .157" X .625"	1
10	800500		CARRIAGE BOLT, 3/8" - 16 X 1" LG	4
11	800610		HEX HEAD BOLT, 7/16" - 20 X 3 1/2" LG (GRADE 5)	2
12	800612		CROWN HEX LOCK NUT, 7/16" - 20	2
13	800698		CROWN HEX LOCK NUT, 3/8" - 16	4
14	840318		HALF CLAMP	2
15	840372		FLAT WASHER (RUBBER), 1.31" I.D. X 2" O.D.	1
16	840411		SPINDLE NUT, 7/8" - 14	1
17	840412G01		FLAT WASHER, .47 I.D. X 1.75" O.D. X .18"	2
18	892701		FORK	1
19	831909		BOOT	1
20	634963		GASKET	1
21	301988		HEX NUT, 1/2" - 20	1
22	632618		HANDLE BAR ASSEMBLY	1
23	807472		HAND GRIP (RUBBER)	2

FORK AND HANDLE BAR

FOR VEHICLES WITH FRONT WHEEL BRAKES

1 FORK ASSEMBLY includes items 2 - 14

2 FORK includes item 3



FORK AND HANDLE BAR

THE USE OF NON U.L. PARTS WILL VOID ANY U.L. LISTING.

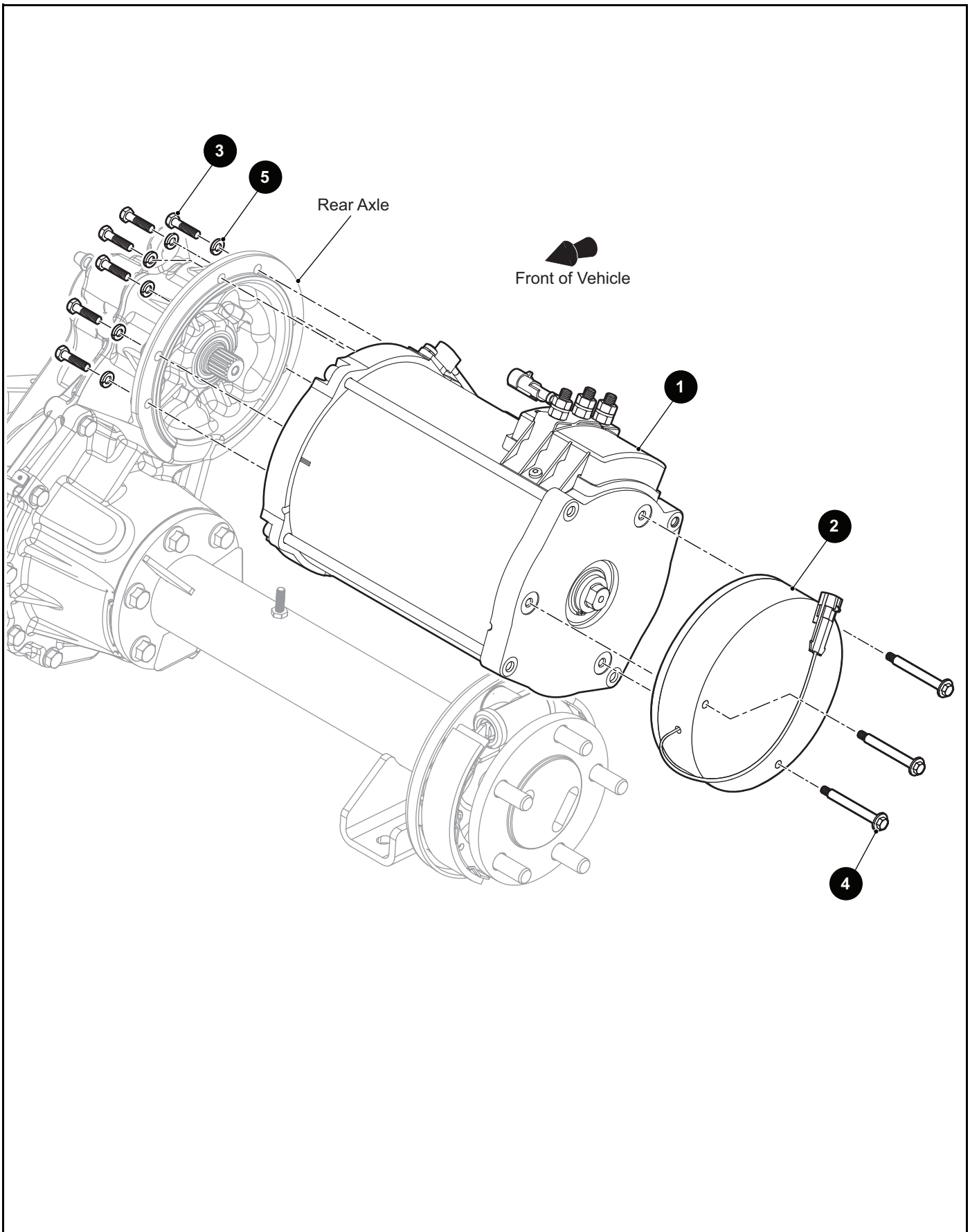
When ordering parts, please specify the model and serial number of the product.

* Indicates a component that is not available as an individual part.

*** Indicates consult Customer Service Department for additional information.

ITEM	PART NO.	1 2 3 4 5	DESCRIPTION	QTY.
1	884127		FORK ASSEMBLY(FRONT BRAKE) (INCLUDES ITEMS 2 - 14)	1
2	884064		FORK (INCLUDES ITEM 3)	1
3	2702168		GREASE FITTING	2
4	894070		ARM ASSEMBLY (LEFT SIDE)	1
5	882188		ARM ASSEMBLY (RIGHT SIDE)	1
6	805383		SUSPENSION SPRING	2
7	808969		BUSHING	2
8	311396		HEX HEAD BOLT, 7/16" - 14 X 2 1/4" LG	2
9	306414		HEX HEAD BOLT, 3/8" - 16 X 1" LG (GRADE 5)	4
10	120177		LOCK WASHER, .382" X .688"	4
11	306981		FLAT WASHER, .41" X .81" X .06"	4
12	306562		HEX NUT, 3/8" - 16	4
13	800293		HEX JAM NUT, 7/16" - 14	2
14	805189		BEARING	2
15				
16				
17	632618		HANDLE BAR ASSEMBLY	1
18	807472		HAND GRIP (RUBBER)	2
19				
20	634963		GASKET	1
21	120166		LOCK WASHER, 1/2"	1
22	305134		HEX JAM NUT, 7/8" - 14	1
23	520231		THRUST WASHER, 1.25" X 1.92" X .03"	1
24	551041		WOODRUFF KEY, .157 X .625"	1
25	840324		FLANGED BEARING	2
26	840372		FLAT WASHER (RUBBER), 1.31 I.D. X 2 O.D.	1
27	840411		SPINDLE NUT	1
28	301988		HEX NUT, 1/2" - 20	1
29	831909		BOOT	1

MOTOR



THE USE OF NON U.L. PARTS WILL VOID ANY U.L. LISTING.

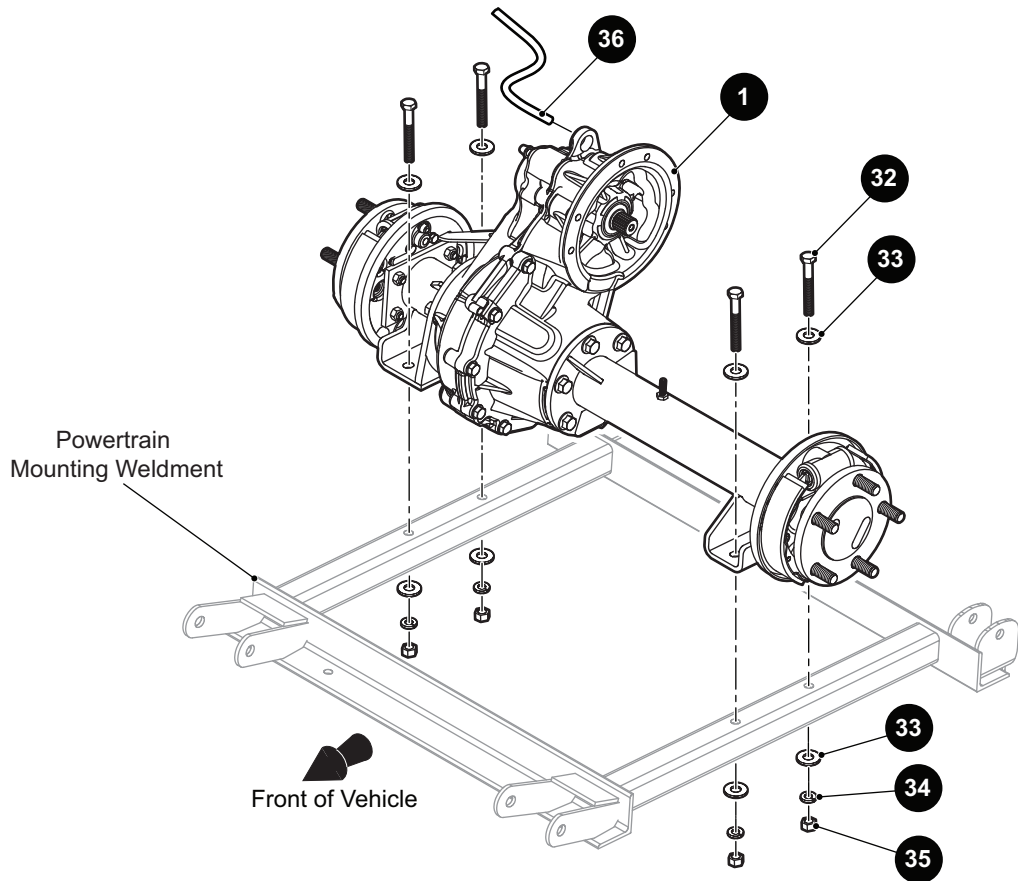
When ordering parts, please specify the model and serial number of the product.

* Indicates a component that is not available as an individual part.

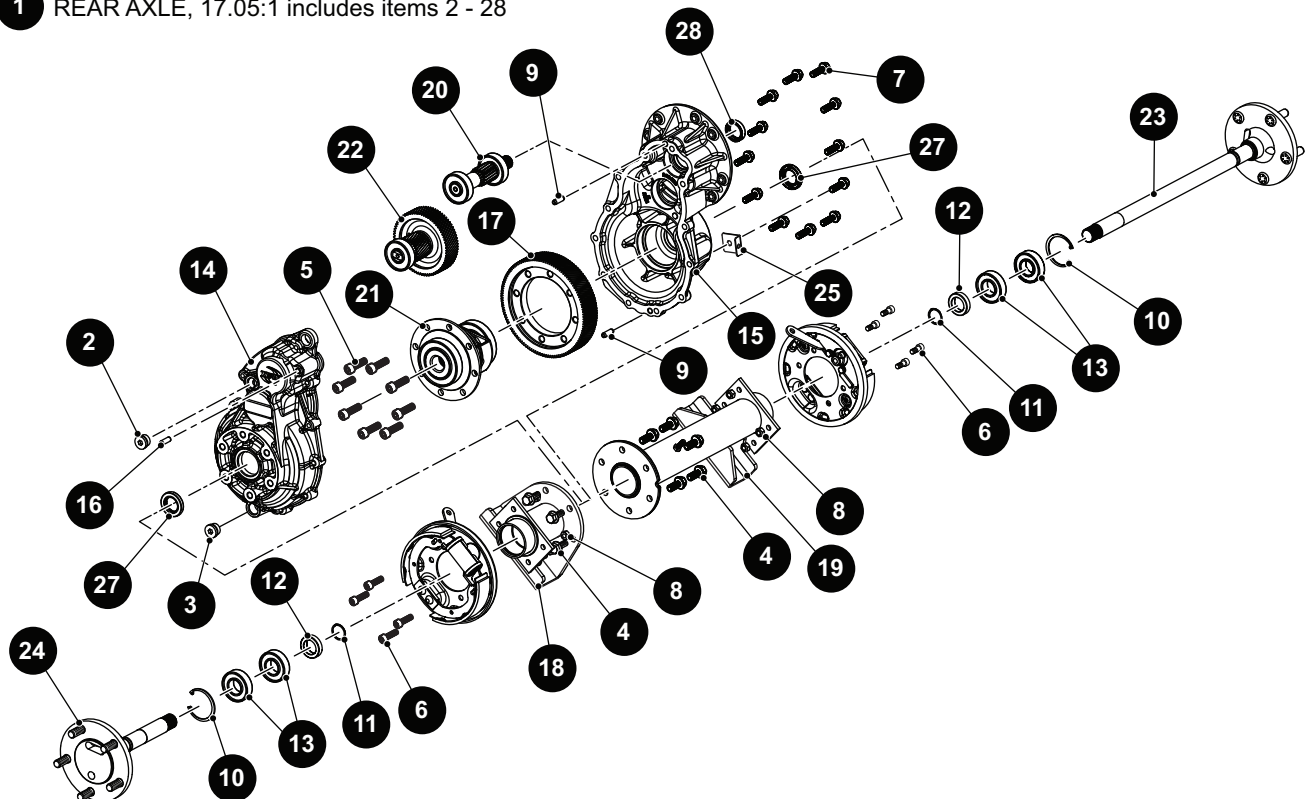
*** Indicates consult Customer Service Department for additional information.

ITEM	PART NO.	1 2 3 4 5	DESCRIPTION	QTY.
1	681071		AC MOTOR.....	1
2	617766		E - BRAKE	1
3	605741		HEX HEAD BOLT, M6 - 1 X 25MM LG.....	6
4	10075069		FLANGED HEX HEAD BOLT, M6 - 1 X 60MM LG.....	3
5	601327		LOCK WASHER, 6MM.....	6

REAR AXLE



1 REAR AXLE, 17.05:1 includes items 2 - 28



REAR AXLE

THE USE OF NON U.L. PARTS WILL VOID ANY U.L. LISTING.

When ordering parts, please specify the model and serial number of the product.

* Indicates a component that is not available as an individual part.

*** Indicates consult Customer Service Department for additional information.

ITEM	PART NO.	1 2 3 4 5	DESCRIPTION	QTY.
1	10008418		REAR AXLE, 17.05:1 (INCLUDES ITEMS 2 - 28)	1
2	671430		HEX PLUG, 3/4" - 16	1
3	671431		HEX PLUG, 3/4" - 16	1
4	105123		HEX HEAD BOLT, 3/8" - 16 X 1" LG.....	12
5	671432		SOCKET HEAD BOLT, 3/8" - 24 X .875" LG	8
6	671433		SOCKET HEAD BOLT, 5/16" - 24 X 3/4" LG	8
7	671434		HEX WASHER HEAD TAPPING SCREW, 5/16" - 18 X 1 1/4" LG	12
8	110060		HEX LOCK NUT, 5/16" - 24	8
9	125064		PIN, 5/16" X 1"	2
10	130111		RETAINING RING (INTERNAL), 52MM	2
11	130290		RETAINING RING (EXTERNAL)	2
12	150388		SPACER, 3/8" X 1.5 O.D.	2
13	180237		BALL BEARING, 25MMX 52MM X 15MM	4
14	***		GEAR CASE (PASSENGER SIDE).....	1
15	***		GEAR CASE (DRIVER SIDE)	1
16	350395		VENT HOSE TUBE, 1/4"	1
17	352852		HELICAL OUTPUT GEAR.....	1
18	671437		AXLE TUBE WELDMENT (PASSENGER SIDE)	1
19	671436		AXLE TUBE WELDMENT (DRIVER SIDE)	1
20	411496		INPUT MOTOR SHAFT SUB ASSEMBLY.....	1
21	411683		DIFFERENTIAL SUB ASSEMBLY	1
22	411838		INTERMEDIATE SHAFT SUB ASSEMBLY	1
23	671438		AXLE SUB ASSEMBLY (DRIVER SIDE).....	1
24	671440		AXLE SUB ASSEMBLY (PASSENGER SIDE)	1
25	671441		BRAKE LINE BRACKET.....	1
26	460043		VENT PLUG, 5/16" (NOT ILLUSTRATED).....	1
27	560334		LIP SEAL (DUAL), 25MM X 42MM X 7MM	2
28	560335		LIP SEAL (TRIPLE), 25MM X 35MM X 7.8MM	1
29				
30				
31				

REAR AXLE

THE USE OF NON U.L. PARTS WILL VOID ANY U.L. LISTING.

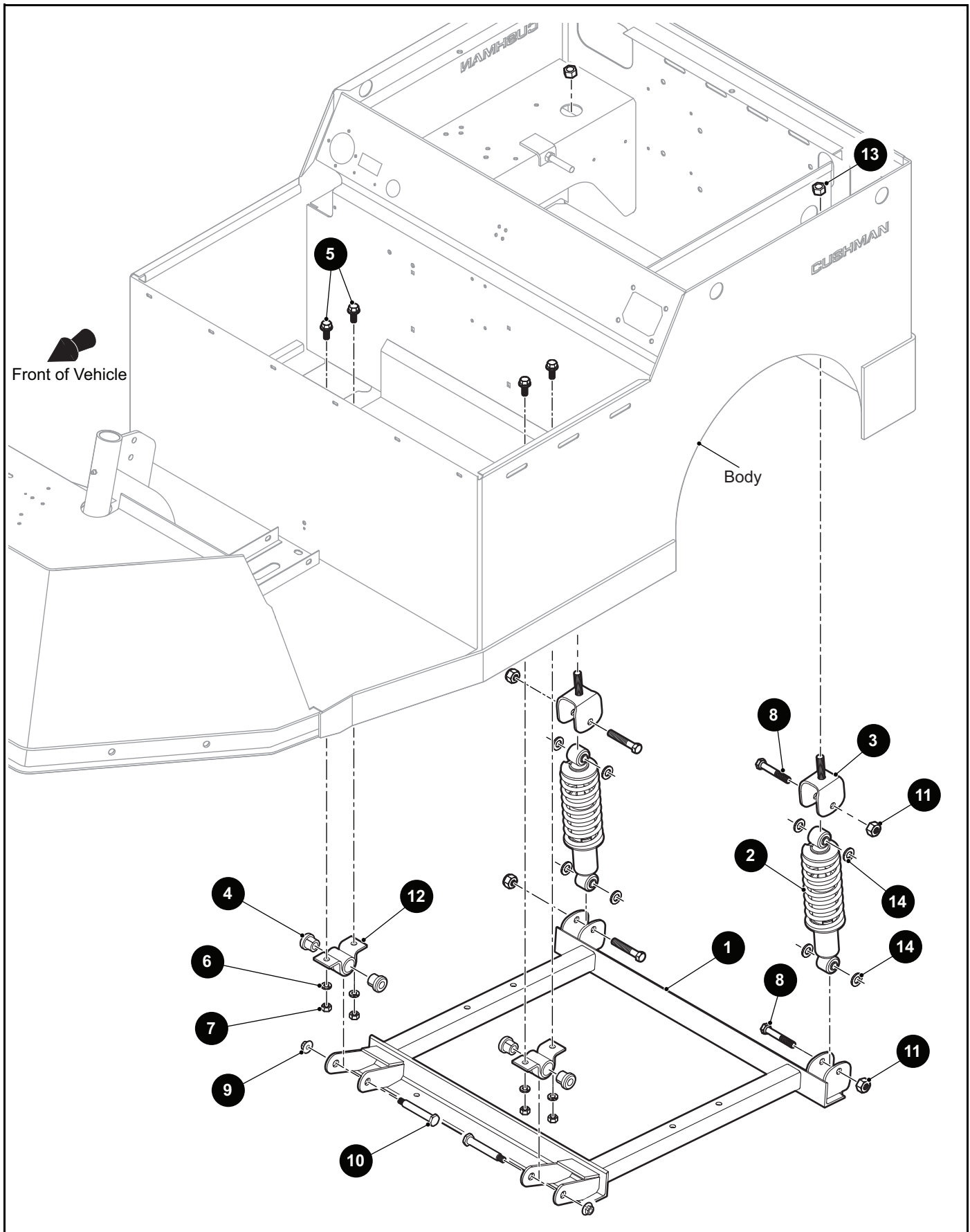
When ordering parts, please specify the model and serial number of the product.

* Indicates a component that is not available as an individual part.

*** Indicates consult Customer Service Department for additional information.

ITEM	PART NO.	1 2 3 4 5	DESCRIPTION	QTY.
32	627457		HEX HEAD BOLT, 3/8" - 16 X 2 3/4" LG (GRADE 8)	4
33	816446		FLAT WASHER, .44" X 1" X .11"	8
34	120177		LOCK WASHER, 3/8"	4
35	306562		HEX NUT, 3/8" - 16.....	4
36	631700		VENT TUBE.....	1

REAR SUSPENSION

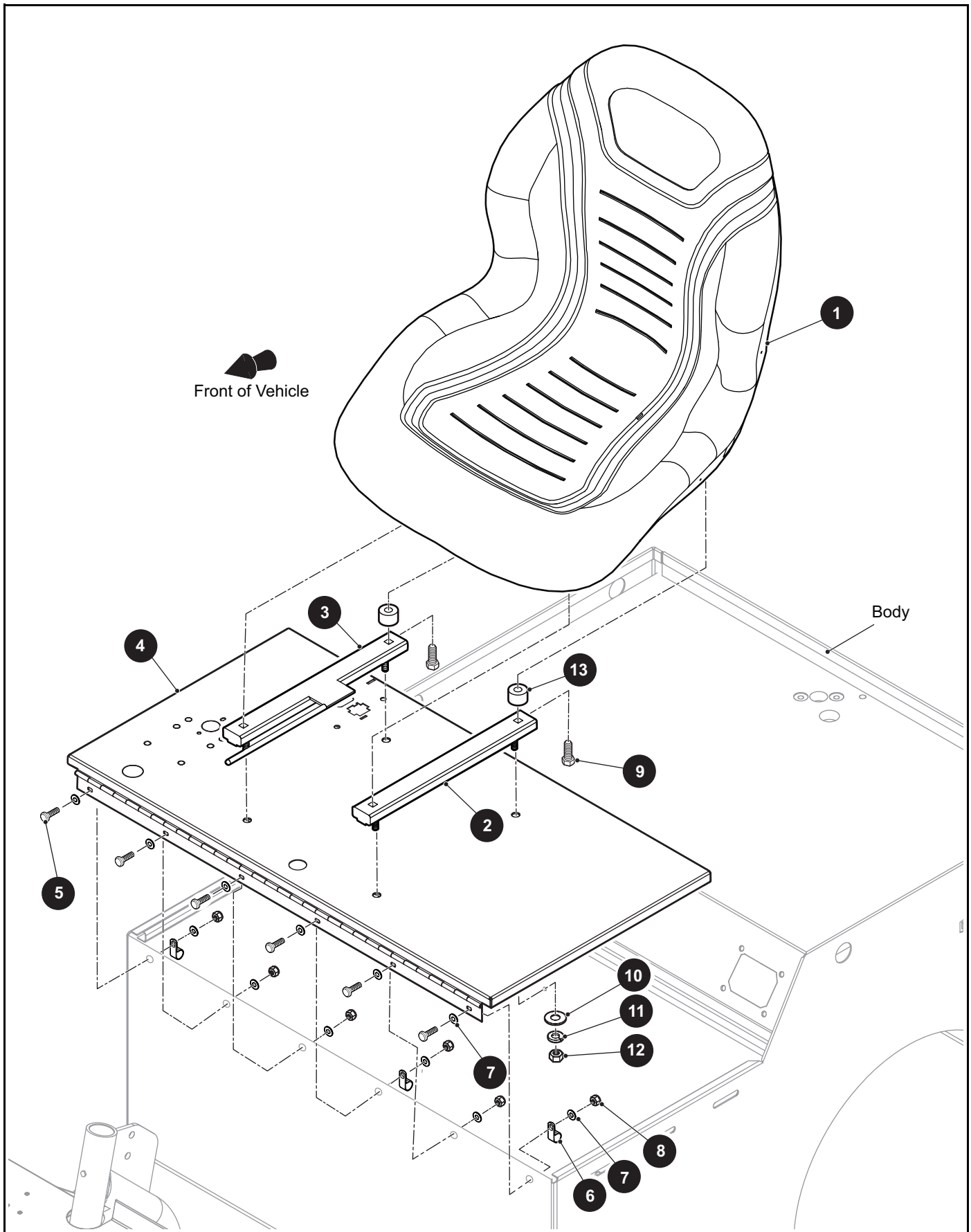


REAR SUSPENSION

THE USE OF NON U.L. PARTS WILL VOID ANY U.L. LISTING.
 When ordering parts, please specify the model and serial number of the product.
 * Indicates a component that is not available as an individual part.
 *** Indicates consult Customer Service Department for additional information.

ITEM	PART NO.	1 2 3 4 5	DESCRIPTION	QTY.
1	661750		POWERTRAIN MOUNTING WELDMENT	1
2	667012		SHOCK ABSORBER.....	2
3	664446		SHOCK ABSORBER MOUNTING BRACKET	2
4	624030		FLANGED BUSHING.....	4
5	641289		FLANGED HEX HEAD BOLT, 3/8" - 16 X 1" LG (GRADE 8).....	4
6	120177		LOCK WASHER, 3/8"	4
7	306562		HEX NUT, 3/8" - 16	4
8	612346		HEX HEAD BOLT, 7/16" - 20 X 2 1/2" LG	4
9	12262G1		FLANGED LOCK NUT, 3/8" - 16.....	2
10	14158G1		SHOULDER BOLT, 3/8" - 16 X 2. 3/4" LG	2
11	548061		LOCK NUT, 7/16" - 20.....	4
12	664023		CLAMP.....	2
13	308332		HEX NUT, 1/2" - 13	2
14	816446		FLAT WASHER, .44" X 1" X .11".....	8

SEATING



THE USE OF NON U.L. PARTS WILL VOID ANY U.L. LISTING.

When ordering parts, please specify the model and serial number of the product.

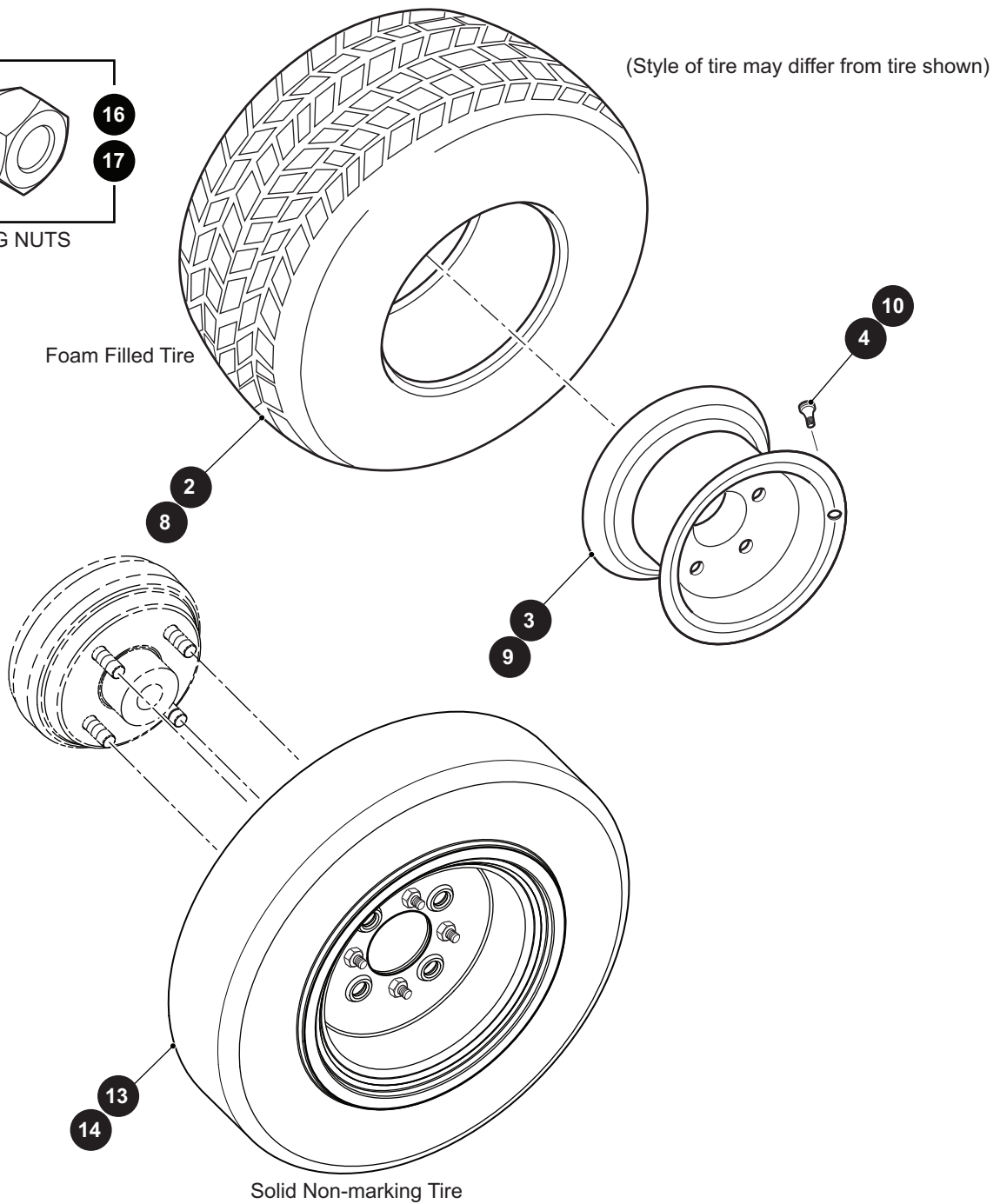
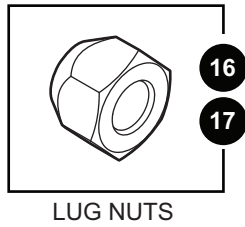
* Indicates a component that is not available as an individual part.

*** Indicates consult Customer Service Department for additional information.

ITEM	PART NO.	1 2 3 4 5	DESCRIPTION	QTY.
1	742897		SEAT (MILSCO).....	1
2	523357		SEAT ADJUSTER (SLAVE).....	1
3	831188		SEAT ADJUSTER (RIGHT SIDE)	1
4	664415G**		SEAT PANEL WELDMENT (See COLOR CODE in HOW TO USE section)...	1
5	800215		PAN HEAD PHILLIPS SCREW, #10 - 24 X 5/8" Lg	6
6	814924		TUBE CLAMP	3
7	308089		FLAT WASHER, #10	12
8	14390G10		LOCK NUT, #10 - 24	6
9	306435		HEX HEAD CAP SCREW, 5/16" - 18 X 1 1/4" Lg	4
10	103867		FLAT WASHER, 5/16"	4
11	306325		LOCK WASHER, 5/16"	4
12	306932		HEX NUT, 5/16" - 18	4
13	735159		SEAT MOUNTING SPACER, 1/2"	4

WHEELS AND TIRES

- 1 WHEEL AND TIRE ASSEMBLY, FRONT (4 LUG RIM) includes items 2 - 4
- 7 WHEEL AND TIRE ASSEMBLY, REAR (5 LUG RIM) includes items 8 - 10



WHEELS AND TIRES

THE USE OF NON U.L. PARTS WILL VOID ANY U.L. LISTING.

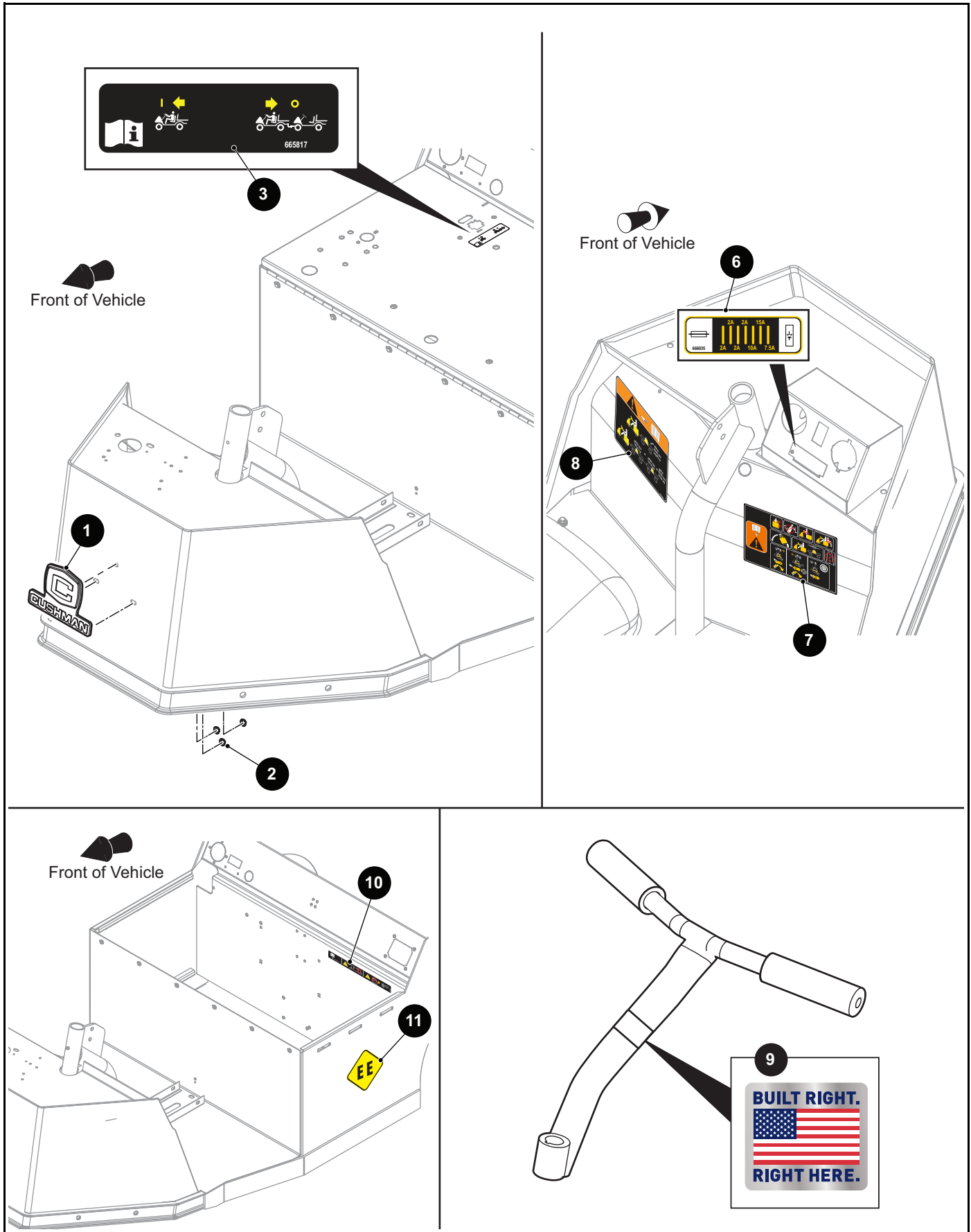
When ordering parts, please specify the model and serial number of the product.

* Indicates a component that is not available as an individual part.

*** Indicates consult Customer Service Department for additional information.

ITEM	PART NO.	1 2 3 4 5	DESCRIPTION	QTY.
1	886378		WHEEL AND TIRE ASSEMBLY, FRONT (4 LUG RIM) (INCLUDES ITEMS 2 - 4)	1
2	602494		TIRE	1
3	*		WHEEL	1
4	886735		VALVE STEM.....	1
5				
6				
7	670355		WHEEL AND TIRE ASSEMBLY, REAR (5 LUG RIM) (INCLUDES ITEMS 8 - 10)	1
8	602494		TIRE, 4.8" X 8"	1
9	736683		WHEEL, 8" X 3.75"	1
10	886735		VALVE STEM.....	1
11				
12				
13	670357		WHEEL AND SOLID NON-MARKING TIRE ASSEMBLY, REAR (5 LUG RIM)	1
14	612768		WHEEL AND SOLID NON-MARKING TIRE ASSEMBLY, FRONT (4 LUG RIM)	1
15				
16	14723G1		LUG NUT (REAR), 1/2" - 20.....	5
17	805860		LUG NUT (FRONT), 7/16" - 20	4

DECALS AND LABELS



DECALS AND LABELS

THE USE OF NON U.L. PARTS WILL VOID ANY U.L. LISTING.

When ordering parts, please specify the model and serial number of the product.

* Indicates a component that is not available as an individual part.

*** Indicates consult Customer Service Department for additional information.

ITEM	PART NO.	1 2 3 4 5	DESCRIPTION	QTY.
1	624539		CUSHMAN EMBLEM.....	1
2	71597G01		SELF THREADING NUT.....	3
3	665817		RUN/TOW LABEL.....	1
4				
5				
6	666035		FUSE LABEL	1
7	668375		OPERATION WARNING LABEL.....	1
8	635525		LOAD RATING DECAL, 8000 LBS.	1
9	685698		MADE IN USA DECAL	1
10	608818		NEGATIVE GROUND LABEL (CE).....	1
11	35216G01		EE INDUSTRIAL DECAL	1



CUSHMAN®

TEXTRON SPECIALIZED VEHICLES, INC.

1451 Marvin Griffin Road
Augusta, Georgia 30906 - 3852
USA

CONTACT INFORMATION

North America:

Technical Assistance & Warranty:
Phone: 1-800-774-3946
Service Parts Phone:
1-888-GET-E-Z-GO (1-888-438-3946)

International:

Phone: 001-706-798-4311

Service Manuals are available for purchase from a local Distributor, an authorized Branch, Genuine E-Z-GO Parts & Accessories Department or at www.shopezgo.com.

Copyrighted Material

This manual may not be reproduced in whole or in part without the express permission of the manufacturer.