



# PARTS CATALOGUE

## G22-AX2 (JU03) U.S.A., CANADA, JAPAN, OTHERS



2010/05/17

1EJU0-100E1

( 2EJU0-100E1 )

| NEWS No.      | DATE       | COMMENT  |
|---------------|------------|--|
| PE0-GC-100002 | 2010/05/14 | COR: FIG.17 BRAKE2, FIG.18 BRAKE3 LIST/ILLUSTRATION CORRECTION |

G22-AX2  
PARTS CATALOGUE  
©2006 by Yamaha Motor Co., Ltd.  
1st edition, January 2006  
All rights reserved.  
Any reprinting or unauthorized use  
without the written permission of  
Yamaha Motor Co., Ltd.  
is expressly prohibited.  
Printed in Japan.

**A3**

# FOREWORD

This Parts Catalogue is related to the parts for the model(s) on the cover page. When you are ordering replacement parts, please refer to this Parts Catalogue and quote both part numbers and part names correctly.

1. Modifications or additions which have been made after the issue of the Parts Catalogue will be announced in the Parts News.

It is advisable that you make the necessary corrections to the Parts Catalogue according to the Parts News.

2. Abbreviations

The following abbreviations are used in this Parts Catalogue.

“UR” Use specified parts number.

“UN” Use as many as needed.

“AP” Alternate Parts

“LM” Locally Made (Parts need to be ordered locally)

“F#” Frame No. (Applicable machine No.)

“O/S” Over Size

3. The number of components for assembly

- Parts, which are to be supplied in an assembly, are listed with a dot (.) in front of the part name as shown below.
- The numeral appearing to the right of each component part indicates the quantity of parts for each assembly unit.

| PART NO.     | DESCRIPTION              | Q'TY | REMARKS |
|--------------|--------------------------|------|---------|
| 2F5-83310-60 | FRONT FLASHER LIGHT ASSY | 2    |         |
| 115-83311-60 | .BULB (6V-18W)           | 1    |         |

4. Applicable colours of graphics are represented in the “REMARKS” as shown below.

| PART NO.        | DESCRIPTION         | Q'TY | REMARKS |
|-----------------|---------------------|------|---------|
| 2N4-24110-00-X5 | FUEL TANK COMP.     | 2    | MXR     |
| 3J1-24240-10    | .GRAPHIC, FUEL TANK | 1    | FOR MXR |

5. Note that the illustrations for reference in finding parts numbers are not to be used for assembling. When assembling, please use the applicable service manual.

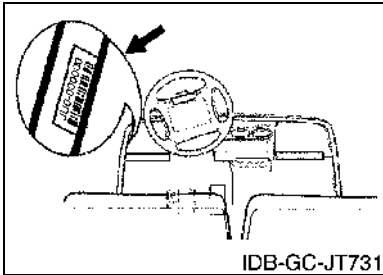
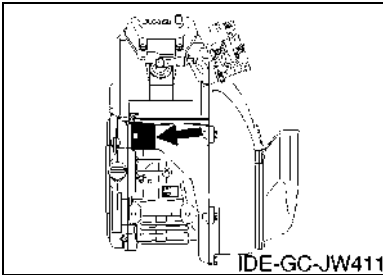
6. The asterisk (\*) before a reference number indicates modified items after the first edition.

# FOREWORD

7. Applicable Serial No.

Engine Serial No.

Frame Serial No.



10. Applicable Starting Serial No.

Frame Serial No.

| Serial No. | Name Of Q'ty Column | Model Code |
|------------|---------------------|------------|
| JU0-310101 | JU03                | JU03       |
|            |                     |            |
|            |                     |            |
|            |                     |            |
|            |                     |            |

8. Applicable Colour Code (The (\*) mark shows Model colour.)

| Abbreviation | Colour Name                   | Colour Code |
|--------------|-------------------------------|-------------|
| DPBMT(*)     | DEEP PURPLISH BLUE METALLIC T | 0978        |
| DRMG(*)      | DARK RED METALLIC G           | 0811        |
| HTR(*)       | HEAT RED                      | 00EY        |
| PURW(*)      | PURE WHITE                    | 0240        |
| VDGS1(*)     | VERY DARK GREEN SOLID 1       | 0614        |
| VPYS2(*)     | VERY PALE YELLOW SOLID 2      | 0500        |
|              |                               |             |
|              |                               |             |
|              |                               |             |
|              |                               |             |

9. Quantity Column Information

| Column No. | Name Of Q'ty Column | Destination                |
|------------|---------------------|----------------------------|
| 1          | JU03                | U.S.A.,CANADA,JAPAN,OTHERS |
|            |                     |                            |
|            |                     |                            |
|            |                     |                            |
|            |                     |                            |

# CONTENTS

## ENGINE

|                           |     |
|---------------------------|-----|
| ENGINE ASSEMBLY .....     | B2  |
| CYLINDER HEAD .....       | B3  |
| CRANKSHAFT & PISTON ..... | B4  |
| CAMSHAFT & VALVE .....    | B5  |
| AIR SHROUD & FAN .....    | B6  |
| INTAKE .....              | B7  |
| CARBURETOR .....          | B8  |
| EXHAUST .....             | B9  |
| CRANKCASE .....           | B10 |

## BODY

|                                |     |
|--------------------------------|-----|
| ENGINE BRACKET .....           | B11 |
| REAR ARM & SUSPENSION .....    | B12 |
| FRAME .....                    | B13 |
| FRONT SUSPENSION & WHEEL ..... | B14 |
| STEERING .....                 | C2  |
| FUEL TANK .....                | C4  |
| BRAKE .....                    | C5  |
| BRAKE 2 .....                  | C7  |
| BRAKE 3 .....                  | C8  |
| ACCELERATOR .....              | C9  |
| GOVERNOR .....                 | C10 |

## DRIVE

|                               |     |
|-------------------------------|-----|
| PRIMARY SHEAVE .....          | C11 |
| SECONDARY SHEAVE .....        | C12 |
| TRANSMISSION 1 .....          | C13 |
| REAR AXLE MOUNT & WHEEL ..... | D2  |
| SHIFTER & CABLES .....        | D3  |
| BUMPER .....                  | D4  |
| BODY .....                    | D5  |
| BODY 2 .....                  | D7  |
| BODY FITTING .....            | D9  |
| CARRIER .....                 | D10 |
| SEAT .....                    | D11 |

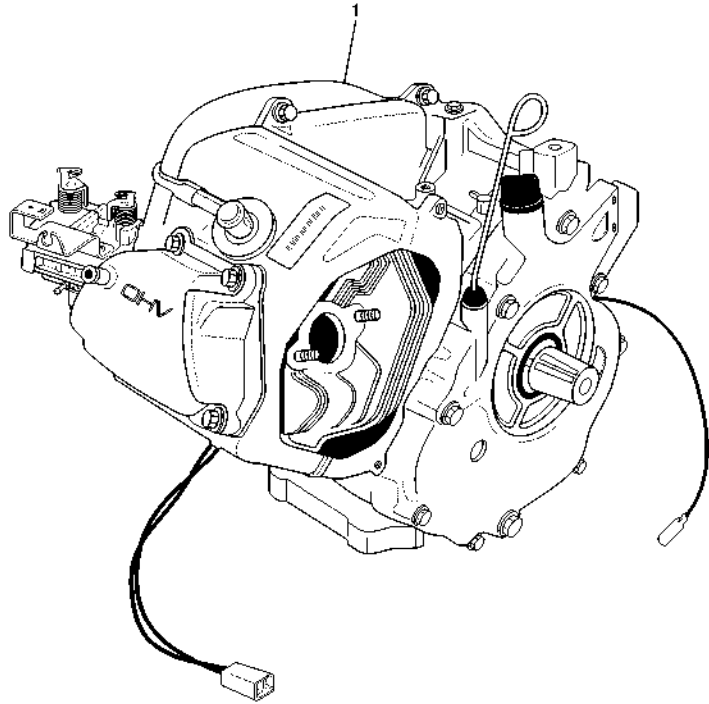
## ELECTRICAL

|                                |     |
|--------------------------------|-----|
| STARTING MOTOR .....           | D13 |
| ELECTRICAL 1 .....             | D15 |
| ELECTRICAL 2 .....             | E2  |
| ALTERNATE FOR WINDSHIELD ..... | E4  |

|                               |    |
|-------------------------------|----|
| ALTERNATE FOR SUN ROOF .....  | E5 |
| ALTERNATE FOR LIGHT KIT ..... | E6 |

## INDEX

|                       |    |
|-----------------------|----|
| NUMERICAL INDEX ..... | M1 |
|-----------------------|----|



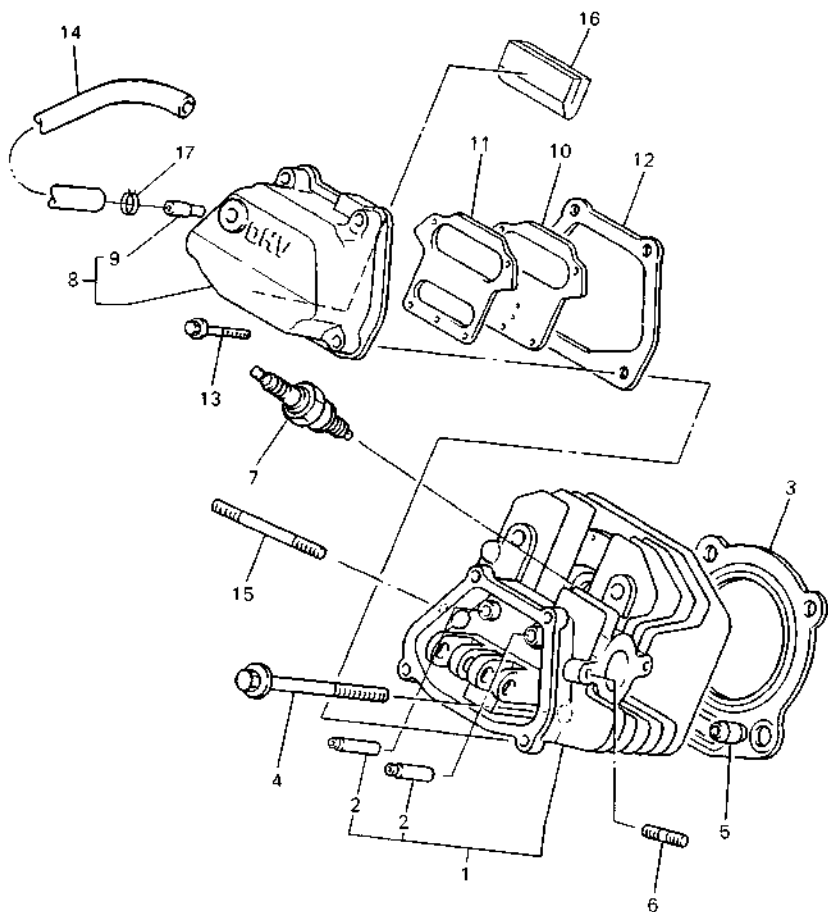
JW41110-C010

FIG. 1 ENGINE ASSEMBLY

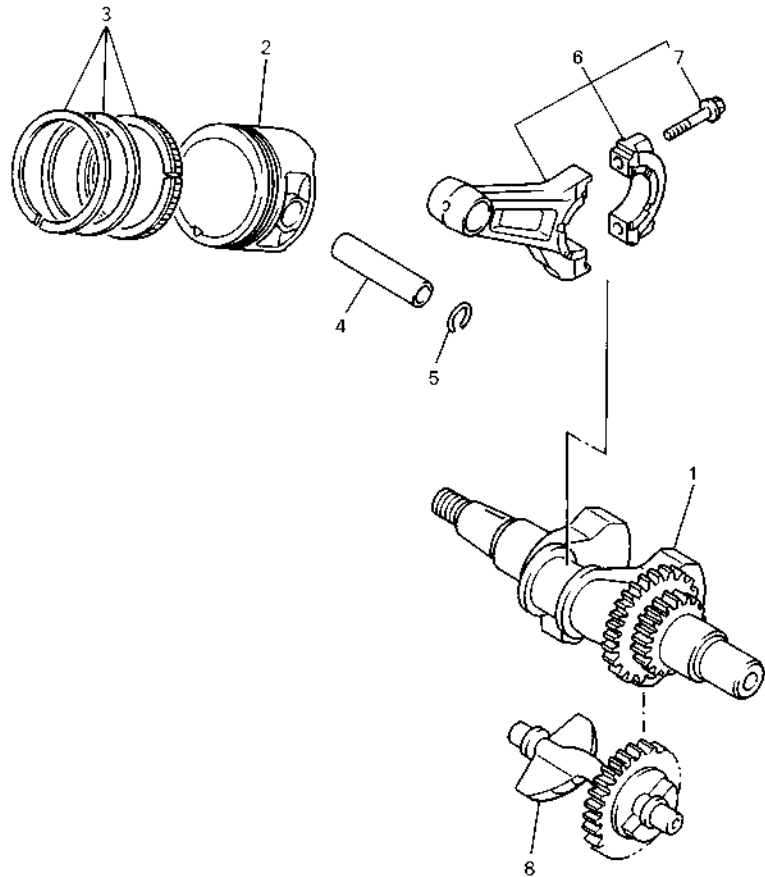
| REF. NO. | PART NO.     | DESCRIPTION     | JU03 | REMARKS |
|----------|--------------|-----------------|------|---------|
| 1        | JR6-19001-00 | ENGINE ASSEMBLY | 1    |         |
| -----    |              |                 |      |         |
| -----    |              |                 |      |         |
| -----    |              |                 |      |         |
| -----    |              |                 |      |         |
| -----    |              |                 |      |         |
| -----    |              |                 |      |         |
| -----    |              |                 |      |         |
| -----    |              |                 |      |         |


FIG. 2 CYLINDER HEAD

| REF. NO. | PART NO.     | DESCRIPTION              | JU03 |  |  |  | REMARKS |
|----------|--------------|--------------------------|------|--|--|--|---------|
| 1        | JT0-11111-00 | HEAD, CYLINDER 1         | 1    |  |  |  |         |
| 2        | JN6-11133-10 | .GUIDE, VALVE 1          | 2    |  |  |  |         |
| 3        | JT0-11181-00 | GASKET, CYLINDER HEAD 1  | 1    |  |  |  |         |
| 4        | 95817-10070  | BOLT, FLANGE             | 4    |  |  |  |         |
| 5        | 99530-14016  | PIN, DOWEL               | 2    |  |  |  |         |
| 6        | 95627-08618  | BOLT, STUD               | 2    |  |  |  |         |
| 7        | 94702-00348  | PLUG, SPARK (NGK-BPR2ES) | 1    |  |  |  | STD     |
|          | 94702-00343  | PLUG, SPARK (NGK BP4ES)  | 1    |  |  |  | AP      |
| 8        | JN6-11191-01 | COVER, CYLINDER HEAD 1   | 1    |  |  |  |         |
| 9        | JN6-11116-00 | .JOINT, BREATHER         | 1    |  |  |  |         |
| 10       | JN6-11168-00 | COVER, BREATHER          | 1    |  |  |  |         |
| 11       | JN6-11169-00 | GASKET, BREATHER COVER   | 1    |  |  |  |         |
| 12       | JN6-11193-00 | GASKET, HEAD COVER 1     | 1    |  |  |  |         |
| 13       | 95827-06030  | BOLT, FLANGE             | 4    |  |  |  |         |
| 14       | JN6-E1166-00 | PIPE, BREATHER 1         | 1    |  |  |  |         |
| 15       | 95607-08710  | BOLT, STUD               | 2    |  |  |  |         |
| 16       | JR7-11163-00 | ELEMENT                  | 1    |  |  |  |         |
| 17       | 90467-13847  | CLIP                     | 2    |  |  |  |         |



JT01010-0011

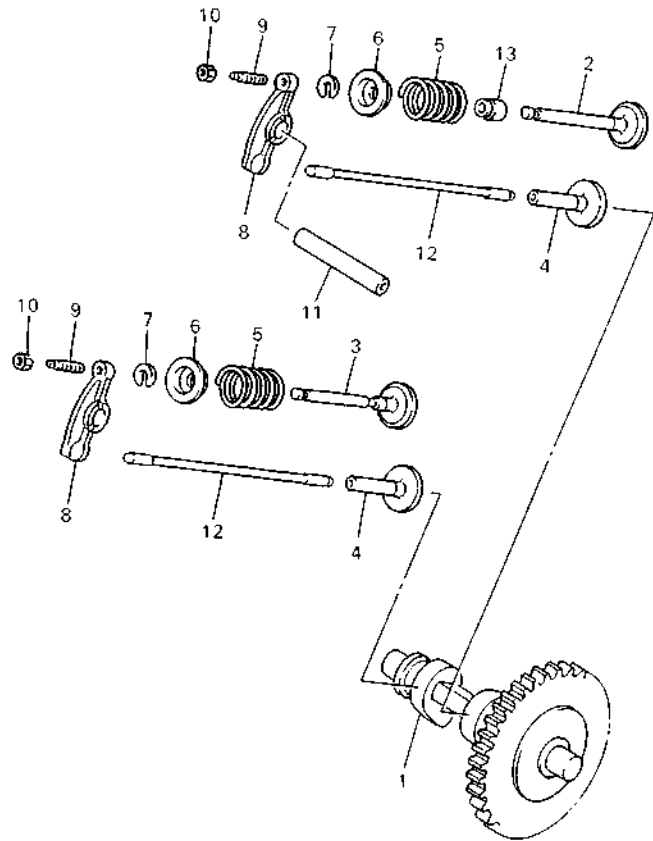


  
 JN7010-6020

**FIG. 3 CRANKSHAFT & PISTON**

| REF. NO. | PART NO.        | DESCRIPTION                  | JU03 |  |  |  | REMARKS |
|----------|-----------------|------------------------------|------|--|--|--|---------|
| 1        | JN6-11400-00    | CRANKSHAFT ASSY              | 1    |  |  |  |         |
| 2        | JR7-11631-00-A0 | PISTON (STD)                 | 1    |  |  |  |         |
|          | JR7-11635-00    | PISTON (0.25MM O/S)          | 1    |  |  |  | AP      |
|          | JR7-11636-00    | PISTON (0.50MM O/S)          | 1    |  |  |  | AP      |
| 3        | JR7-11610-00    | PISTON RING SET (STD)        | 1    |  |  |  |         |
|          | JR7-11610-10    | PISTON RING SET (0.25MM O/S) | 1    |  |  |  | AP      |
|          | JR7-11610-20    | PISTON RING SET (0.50MM O/S) | 1    |  |  |  | AP      |
| 4        | 583-11633-00    | PIN, PISTON                  | 1    |  |  |  |         |
| 5        | 93450-21053     | CIRCLIP                      | 2    |  |  |  |         |
| 6        | JN6-11650-00    | CONNECTING ROD ASSY          | 1    |  |  |  |         |
| 7        | JN6-11654-00    | BOLT, CONNECTING ROD         | 2    |  |  |  |         |
| 8        | JN6-11454-00    | WEIGHT 1                     | 1    |  |  |  |         |
|          |                 |                              |      |  |  |  |         |
|          |                 |                              |      |  |  |  |         |
|          |                 |                              |      |  |  |  |         |
|          |                 |                              |      |  |  |  |         |

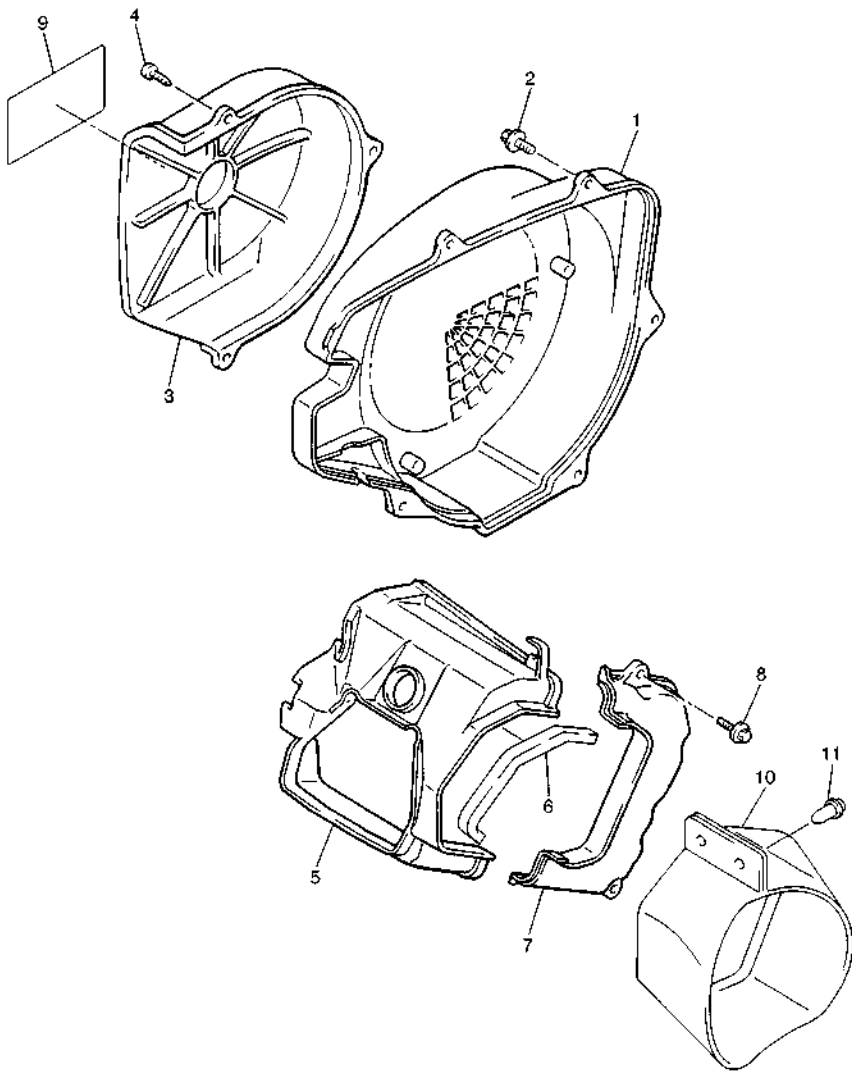
FIG. 4 CAMSHAFT & VALVE



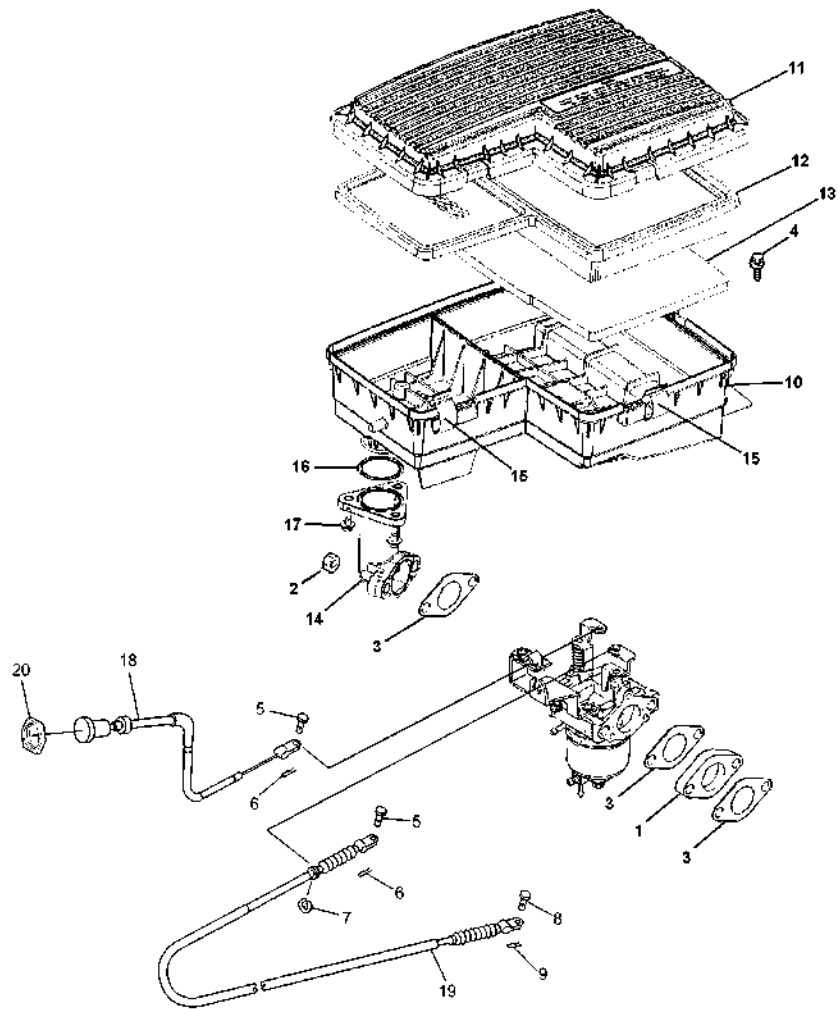
| REF. NO. | PART NO.     | DESCRIPTION            | JU03 |  |  |  | REMARKS |
|----------|--------------|------------------------|------|--|--|--|---------|
| 1        | JR7-12170-00 | CAMSHAFT ASSY 1        | 1    |  |  |  |         |
| 2        | JN6-12111-01 | VALVE, INTAKE          | 1    |  |  |  |         |
| 3        | 7RH-12121-00 | VALVE, EXHAUST         | 1    |  |  |  |         |
| 4        | JN6-12153-00 | LIFTER, VALVE          | 2    |  |  |  |         |
| 5        | 90501-264A9  | SPRING, COMPRESSION    | 2    |  |  |  |         |
| 6        | J38-12117-01 | RETAINER, VALVE SPRING | 2    |  |  |  |         |
| 7        | J38-12118-00 | COTTER, VALVE          | 2    |  |  |  |         |
| 8        | JN6-12151-00 | ARM, VALVE ROCKER      | 2    |  |  |  |         |
| 9        | 22F-12159-00 | SCREW, VALVE ADJUSTING | 2    |  |  |  |         |
| 10       | 90170-05302  | NUT                    | 2    |  |  |  |         |
| 11       | J38-12156-00 | SHAFT, ROCKER 2        | 1    |  |  |  |         |
| 12       | JR7-12154-01 | ROD, VALVE PUSH        | 2    |  |  |  |         |
| 13       | 4G0-12119-00 | SEAL, VALVE STEM       | 1    |  |  |  |         |
|          |              |                        |      |  |  |  |         |
|          |              |                        |      |  |  |  |         |
|          |              |                        |      |  |  |  |         |
|          |              |                        |      |  |  |  |         |

  
JT01010-0030

FIG. 5 AIR SHROUD & FAN



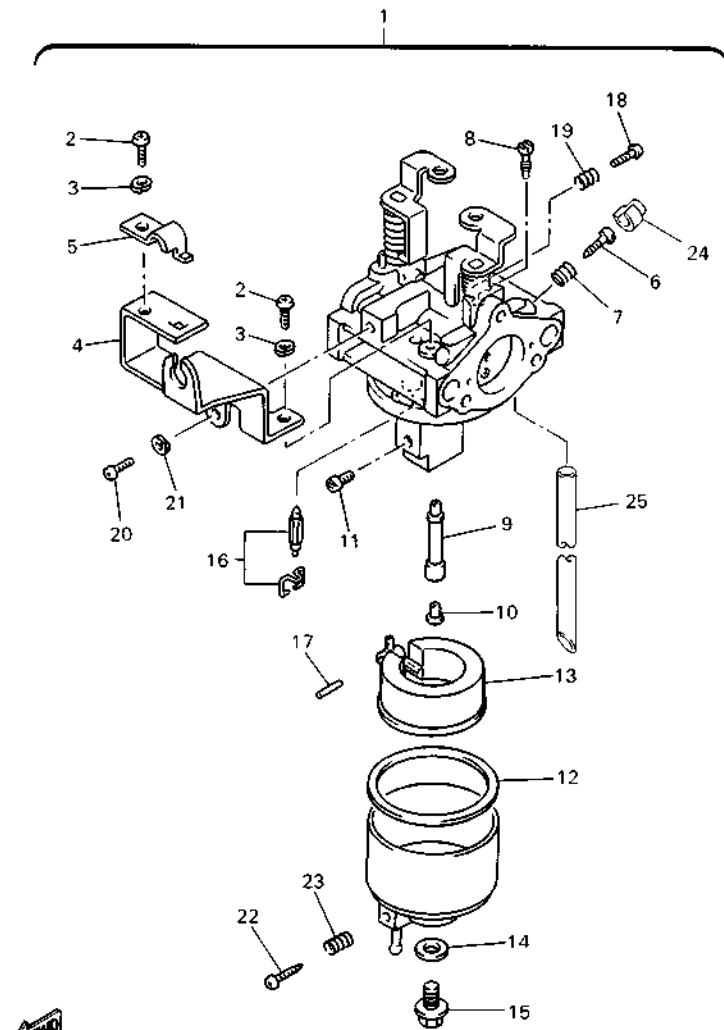
| REF. NO. | PART NO.     | DESCRIPTION               | JU03 |  |  |  | REMARKS |
|----------|--------------|---------------------------|------|--|--|--|---------|
| 1        | JN6-12621-02 | CASE, FAN                 | 1    |  |  |  |         |
| 2        | 95807-06020  | BOLT, FLANGE              | 4    |  |  |  |         |
| 3        | JN6-12616-00 | COVER, FAN CASE           | 1    |  |  |  |         |
| 4        | 97707-60520  | SCREW, TAPPING            | 3    |  |  |  |         |
| 5        | JN6-12651-00 | AIR SHROUD, CYLINDER 1    | 1    |  |  |  |         |
| 6        | JR7-12658-00 | DAMPER, AIR SHROUD 1      | 1    |  |  |  |         |
| 7        | JN6-12652-00 | AIR SHROUD, CYLINDER 2    | 1    |  |  |  |         |
| 8        | 95807-06020  | BOLT, FLANGE              | 2    |  |  |  |         |
| 9        | JU0-2179R-00 | PLATE, EPA 2 (CALIFORNIA) | 1    |  |  |  |         |
| 10       | JN6-E2691-00 | DUCT, 1                   | 1    |  |  |  |         |
| 11       | 90269-08813  | RIVET                     | 2    |  |  |  |         |
|          |              |                           |      |  |  |  |         |
|          |              |                           |      |  |  |  |         |
|          |              |                           |      |  |  |  |         |
|          |              |                           |      |  |  |  |         |
|          |              |                           |      |  |  |  |         |



JU0100-5050

FIG. 6 INTAKE

| REF. NO. | PART NO.     | DESCRIPTION               | JU03 |  |  |  | REMARKS |
|----------|--------------|---------------------------|------|--|--|--|---------|
| 1        | JN6-13595-00 | JOINT                     | 1    |  |  |  |         |
| 2        | 95707-08500  | NUT, FLANGE               | 2    |  |  |  |         |
| 3        | JN6-13567-00 | GASKET                    | 3    |  |  |  |         |
| 4        | 90119-06838  | BOLT, WITH WASHER         | 2    |  |  |  |         |
| 5        | 91701-05010  | PIN, CLEVIS               | 2    |  |  |  |         |
| 6        | 90468-10049  | CLIP                      | 2    |  |  |  |         |
| 7        | 99001-07600  | CIRCLIP                   | 1    |  |  |  |         |
| 8        | 91701-05010  | PIN, CLEVIS               | 1    |  |  |  |         |
| 9        | 90468-10049  | CLIP                      | 1    |  |  |  |         |
| 10       | JU0-E4411-00 | CASE, AIR CLEANER 1       | 1    |  |  |  |         |
| 11       | JU0-E4412-00 | CAP, CLEANER CASE 1       | 1    |  |  |  |         |
| 12       | JU0-E4450-00 | ELEMENT ASSY, AIR CLEANER | 1    |  |  |  |         |
| 13       | JU0-E445E-00 | FILTER 1                  | 1    |  |  |  |         |
| 14       | JU0-E3586-00 | JOINT, CARBURETOR 1       | 1    |  |  |  |         |
| 15       | 5UH-E4424-00 | CLIP, CAP FITTING         | 5    |  |  |  |         |
| 16       | 93210-398D6  | O-RING                    | 1    |  |  |  |         |
| 17       | 90105-06862  | BOLT, FLANGE              | 3    |  |  |  |         |
| 18       | JU0-F6331-00 | CABLE, STARTER 1          | 1    |  |  |  |         |
| 19       | JU0-F6312-00 | CABLE, THROTTLE 2         | 1    |  |  |  |         |
| 20       | JU0-F6333-00 | NUT                       | 1    |  |  |  |         |

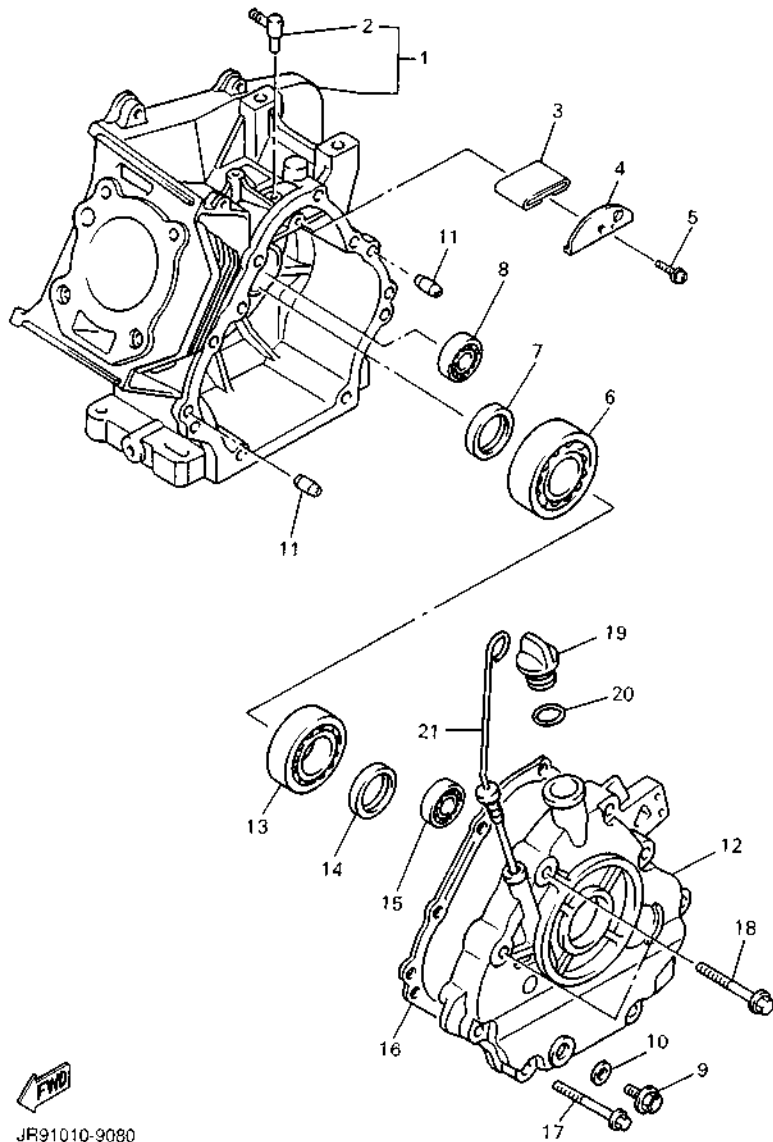


JR61100-1060

FIG. 7 CARBURETOR

| REF. NO. | PART NO.        | DESCRIPTION              | JU03 |  |  |  | REMARKS |
|----------|-----------------|--------------------------|------|--|--|--|---------|
| 1        | JR6-14101-00    | CARBURETOR ASSY 1        | 1    |  |  |  |         |
| 2        | 98507-05008     | .SCREW, PAN HEAD         | 2    |  |  |  |         |
| 3        | 92990-05100     | .WASHER, SPRING          | 2    |  |  |  |         |
| 4        | JN6-14291-00    | .BRACKET 1               | 1    |  |  |  |         |
| 5        | J10-14227-00    | .PLATE                   | 1    |  |  |  |         |
| 6        | 7NJ-14211-00    | .SCREW, PILOT ADJUSTING  | 1    |  |  |  |         |
| 7        | 73A-14212-10    | .SPRING                  | 1    |  |  |  |         |
| 8        | 732-14142-65-A0 | .JET, PILOT (# 65)       | 1    |  |  |  |         |
| 9        | JN6-1495H-3B    | .NOZZLE, MAIN            | 1    |  |  |  |         |
| 10       | 73A-1414G-00    | .PIPE, MAIN BREED        | 1    |  |  |  |         |
| 11       | 3G2-1423A-68-A0 | .JET, MAIN (# 87.5)      | 1    |  |  |  | STD     |
|          | 3G2-1423A-67    | .JET, MAIN (# 82.5)      | 1    |  |  |  | AP      |
|          | 3G2-1423E-33-A0 | .JET, MAIN (#83.8)       | 1    |  |  |  | AP      |
| 12       | 796-14184-00    | .GASKET, FLOAT CHAMBER   | 1    |  |  |  |         |
| 13       | JN6-14185-00    | .FLOAT                   | 1    |  |  |  |         |
| 14       | 127-14198-00    | .GASKET                  | 1    |  |  |  |         |
| 15       | 7R1-14162-00    | .BOLT, HOLDING           | 1    |  |  |  |         |
| 16       | JN5-14150-00    | .NEEDLE ASSY (WITH CLIP) | 1    |  |  |  |         |
| 17       | 22F-14186-00    | .PIN, FLOAT              | 1    |  |  |  |         |
| 18       | 1WG-14922-00    | .SCREW, THROTTLE         | 1    |  |  |  |         |
| 19       | 73A-14212-10    | .SPRING                  | 1    |  |  |  |         |
| 20       | 98507-04010     | .SCREW, PAN HEAD         | 1    |  |  |  |         |
| 21       | 92902-04100     | .WASHER, SPRING          | 1    |  |  |  |         |
| 22       | 7E1-14191-00    | .PLUG, DRAIN             | 1    |  |  |  |         |
| 23       | 73A-14212-00    | .SPRING                  | 1    |  |  |  |         |
| 24       | 7LV-14118-00    | .CAP                     | 1    |  |  |  |         |
| 25       | 1KT-14197-01    | .PIPE                    | 1    |  |  |  |         |





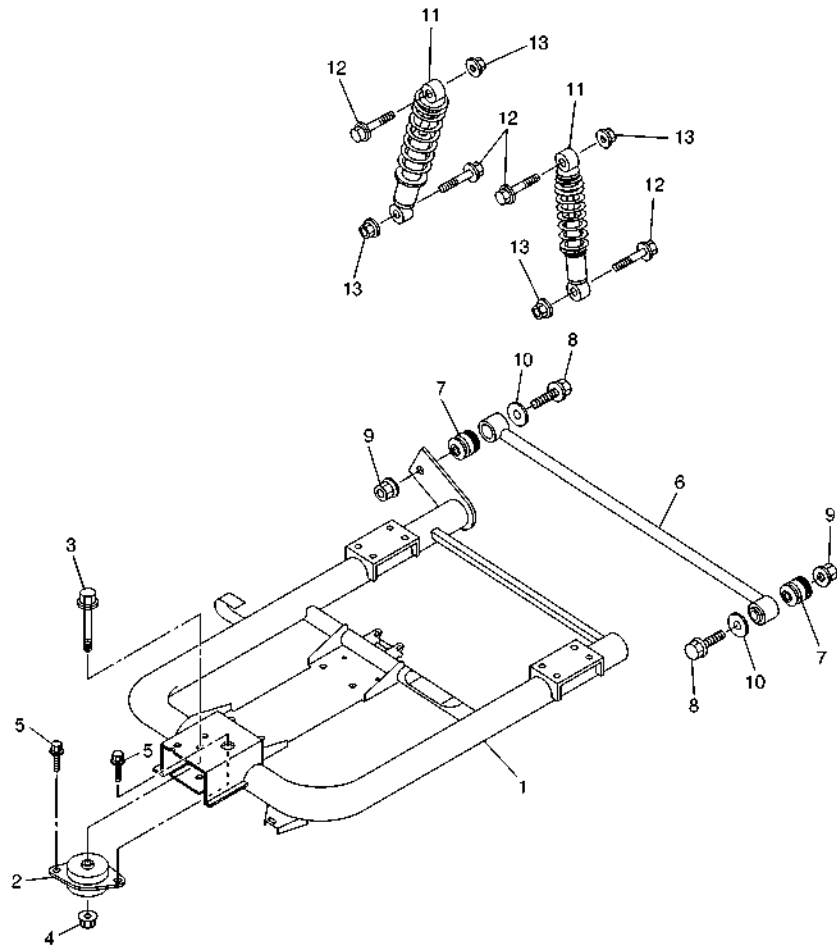
JR91010-9080

FIG. 9 CRANKCASE

| REF. NO. | PART NO.     | DESCRIPTION               | JU03 |  |  |  | REMARKS |
|----------|--------------|---------------------------|------|--|--|--|---------|
| 1        | JR7-15100-00 | CRANKCASE ASSY            | 1    |  |  |  |         |
| 2        | JN6-15155-00 | .NOZZLE 3                 | 1    |  |  |  |         |
| 3        | JR7-15407-00 | ELEMENT 1                 | 1    |  |  |  |         |
| 4        | JR7-15123-00 | PLATE, BUFFLE 1           | 1    |  |  |  |         |
| 5        | 90159-06107  | SCREW, WITH WASHER        | 1    |  |  |  |         |
| 6        | 93306-30709  | BEARING                   | 1    |  |  |  |         |
| 7        | 93102-35014  | OIL SEAL                  | 1    |  |  |  |         |
| 8        | 93306-20201  | BEARING                   | 1    |  |  |  |         |
| 9        | 90340-12097  | PLUG, STRAIGHT SCREW      | 1    |  |  |  |         |
| 10       | 812-11198-00 | GASKET                    | 1    |  |  |  |         |
| 11       | 99530-08016  | PIN, DOWEL                | 2    |  |  |  |         |
| 12       | JN6-15411-01 | COVER, CRANKCASE 1        | 1    |  |  |  |         |
| 13       | 93306-20714  | BEARING                   | 1    |  |  |  |         |
| 14       | 93102-35014  | OIL SEAL                  | 1    |  |  |  |         |
| 15       | 93306-20201  | BEARING                   | 1    |  |  |  |         |
| 16       | JN6-15451-02 | GASKET, CRANKCASE COVER 1 | 1    |  |  |  |         |
| 17       | 95817-08045  | BOLT, FLANGE              | 6    |  |  |  |         |
| 18       | 95817-10050  | BOLT, FLANGE              | 2    |  |  |  |         |
| 19       | 796-15363-01 | PLUG, OIL                 | 1    |  |  |  |         |
| 20       | 93210-22344  | O-RING                    | 1    |  |  |  |         |
| 21       | J38-15361-00 | GAUGE, LEVEL              | 1    |  |  |  |         |



FIG. 11 REAR ARM & SUSPENSION



JU02100-D110

| REF. NO. | PART NO.     | DESCRIPTION               | JU03 |  |  |  | REMARKS |
|----------|--------------|---------------------------|------|--|--|--|---------|
| 1        | JU0-F2110-10 | REAR ARM COMP.            | 1    |  |  |  |         |
| 2        | JN6-F2123-10 | BUSH 1                    | 1    |  |  |  |         |
| 3        | 90105-13864  | BOLT, FLANGE              | 1    |  |  |  |         |
| 4        | 90179-13878  | NUT                       | 1    |  |  |  |         |
| 5        | 9751P-10620  | BOLT, WITH WASHER         | 2    |  |  |  |         |
| 6        | JN6-F217G-00 | ROD, CONNECTING 2         | 1    |  |  |  |         |
| 7        | JN6-F2124-10 | BUSH 2                    | 2    |  |  |  |         |
| 8        | 9581P-12065  | BOLT, FLANGE              | 2    |  |  |  |         |
| 9        | 9560P-12200  | NUT, FLANGE               | 2    |  |  |  |         |
| 10       | 90201-128S4  | WASHER, PLATE             | 2    |  |  |  |         |
| 11       | JN4-F2210-00 | SHOCK ABSORBER ASSY, REAR | 2    |  |  |  |         |
| 12       | 95807-10055  | BOLT, FLANGE              | 4    |  |  |  |         |
| 13       | 95607-10200  | NUT, U FLANGE             | 4    |  |  |  |         |
|          |              |                           |      |  |  |  |         |
|          |              |                           |      |  |  |  |         |
|          |              |                           |      |  |  |  |         |
|          |              |                           |      |  |  |  |         |



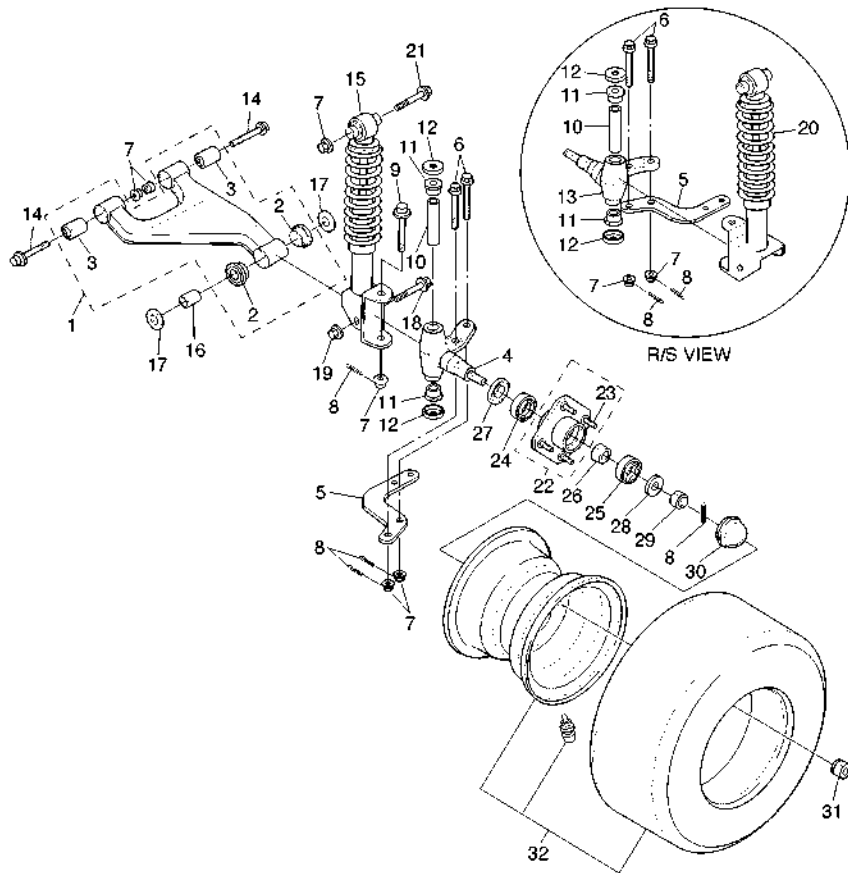


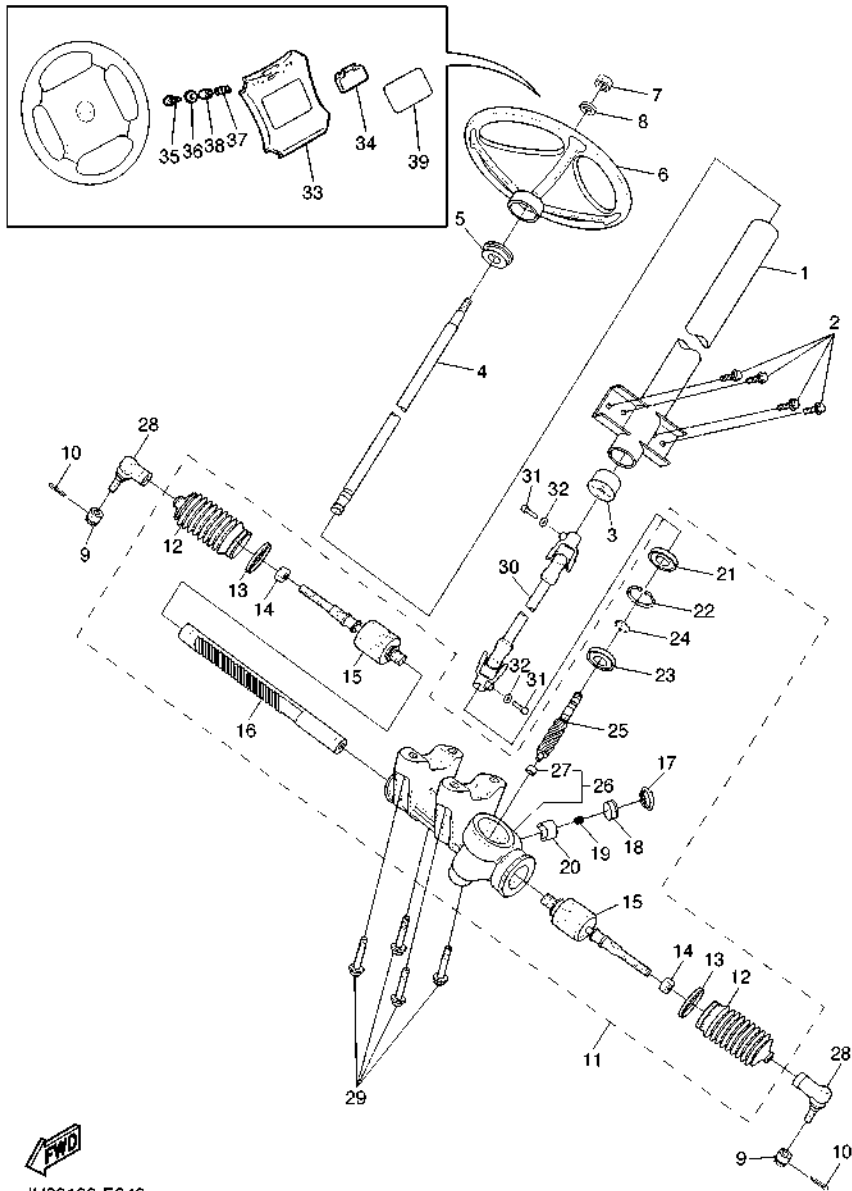
FIG. 13 FRONT SUSPENSION & WHEEL

| REF. NO. | PART NO.     | DESCRIPTION           | JU03 |  |  |  | REMARKS |
|----------|--------------|-----------------------|------|--|--|--|---------|
| 1        | JU0-F3570-20 | FRONT LOWER ARM COMP. | 2    |  |  |  |         |
| 2        | 90381-18001  | .BUSH, SOLID          | 2    |  |  |  |         |
| 3        | 2HR-23526-00 | .BUSH                 | 2    |  |  |  |         |
| 4        | JU0-F3511-00 | KNUCKLE, STEERING 1   | 1    |  |  |  |         |
| 5        | JU0-F3512-02 | ARM, KNUCKLE 1        | 2    |  |  |  |         |
| 6        | 90105-10728  | BOLT, FLANGE          | 4    |  |  |  |         |
| 7        | 95607-10200  | NUT, U FLANGE         | 12   |  |  |  |         |
| 8        | 91401-25020  | PIN, COTTER           | 8    |  |  |  |         |
| 9        | 90105-10064  | BOLT, FLANGE          | 2    |  |  |  |         |
| 10       | 2NL-23448-00 | SPACER                | 2    |  |  |  |         |
| 11       | 90381-17067  | BUSH, SOLID           | 4    |  |  |  |         |
| 12       | 2NL-23517-00 | COVER, THRUST 1       | 4    |  |  |  |         |
| 13       | JU0-F3521-00 | KNUCKLE, STEERING 2   | 1    |  |  |  |         |
| 14       | 90105-10890  | BOLT, FLANGE          | 4    |  |  |  |         |
| 15       | JU0-F3350-20 | SHOCK ABSORBER ASSY   | 1    |  |  |  |         |
| 16       | 90387-12016  | COLLAR                | 1    |  |  |  |         |
| 17       | 401-22128-01 | COVER, THRUST 1       | 4    |  |  |  |         |
| 18       | 95817-12080  | BOLT, FLANGE          | 2    |  |  |  |         |
| 19       | 9561P-12100  | NUT                   | 2    |  |  |  |         |
| 20       | JU0-F3390-20 | SHOCK ABSORBER ASSY 2 | 1    |  |  |  |         |
| 21       | 95807-10065  | BOLT, FLANGE          | 2    |  |  |  |         |
| 22       | JG5-WF511-10 | HUB, FRONT            | 2    |  |  |  |         |
| 23       | 90114-12800  | .BOLT, SERRATION      | 4    |  |  |  |         |
| 24       | 93306-204X0  | BEARING               | 2    |  |  |  |         |
| 25       | 93306-005Y3  | BEARING               | 2    |  |  |  |         |
| 26       | 90387-241M7  | COLLAR                | 2    |  |  |  |         |
| 27       | 93102-30083  | OIL SEAL              | 2    |  |  |  |         |



JU23100-E030





JU23100-E040

FIG. 14 STEERING

| REF. NO. | PART NO.     | DESCRIPTION          | JU03 |  |  |  | REMARKS |
|----------|--------------|----------------------|------|--|--|--|---------|
| 1        | JU0-F3811-00 | COLUMN, STEERING     | 1    |  |  |  |         |
| 2        | 9581P-08016  | BOLT, FLANGE         | 4    |  |  |  |         |
| 3        | JU0-F3857-10 | HOLDER               | 1    |  |  |  |         |
| 4        | JU0-F3828-00 | ROD, STEERING        | 1    |  |  |  |         |
| 5        | JN3-F3814-00 | HOLDER, HANDLE UPPER | 1    |  |  |  |         |
| 6        | JN3-F3838-00 | WHEEL, STEERING      | 1    |  |  |  |         |
| 7        | 90185-12061  | NUT, SELF-LOCKING    | 1    |  |  |  |         |
| 8        | 9290P-12200  | WASHER               | 1    |  |  |  |         |
| 9        | 95607-12200  | NUT, SELF-LOCKING    | 2    |  |  |  |         |
| 10       | 91401-25020  | PIN, COTTER          | 2    |  |  |  |         |
| 11       | JU0-F3400-00 | STEERING ASSY        | 1    |  |  |  |         |
| 12       | JU0-F3848-00 | .BOOT                | 2    |  |  |  |         |
| 13       | JU0-F1338-00 | .CLAMP               | 2    |  |  |  |         |
| 14       | JU0-F3833-00 | .NUT 1               | 2    |  |  |  |         |
| 15       | JU0-F3837-00 | .ROD, TIE 2          | 2    |  |  |  |         |
| 16       | JU0-F387E-00 | .GEAR, RACK          | 1    |  |  |  |         |
| 17       | JU0-F3834-00 | .NUT 2               | 1    |  |  |  |         |
| 18       | JU0-F387G-00 | .COVER, ADJUST       | 1    |  |  |  |         |
| 19       | JU0-F387K-00 | .SPRING, PRESSURE    | 1    |  |  |  |         |
| 20       | JU0-F387F-00 | .PAD, PRESSURE       | 1    |  |  |  |         |
| 21       | JU0-F3844-00 | .SEAL                | 1    |  |  |  |         |
| 22       | JU0-F387J-00 | .RING, STOPPER       | 1    |  |  |  |         |
| 23       | JU0-F339Y-00 | .BEARING             | 1    |  |  |  |         |
| 24       | JU0-F3183-00 | .CIRCLIP             | 1    |  |  |  |         |
| 25       | JU0-F387A-00 | .GEAR, PINION        | 1    |  |  |  |         |
| 26       | JU0-F620A-00 | .HOUSING COMP.       | 1    |  |  |  |         |
| 27       | JU0-F582M-00 | ..BEARING            | 1    |  |  |  |         |

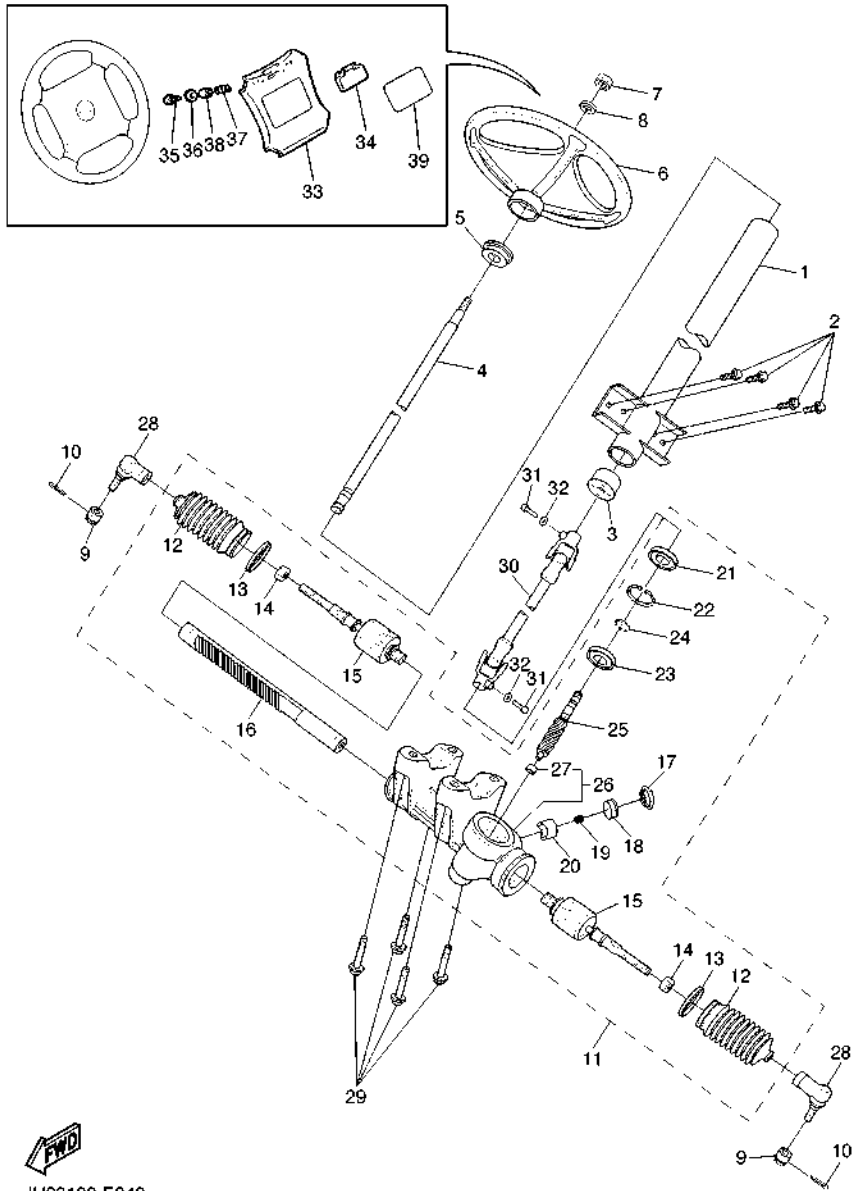
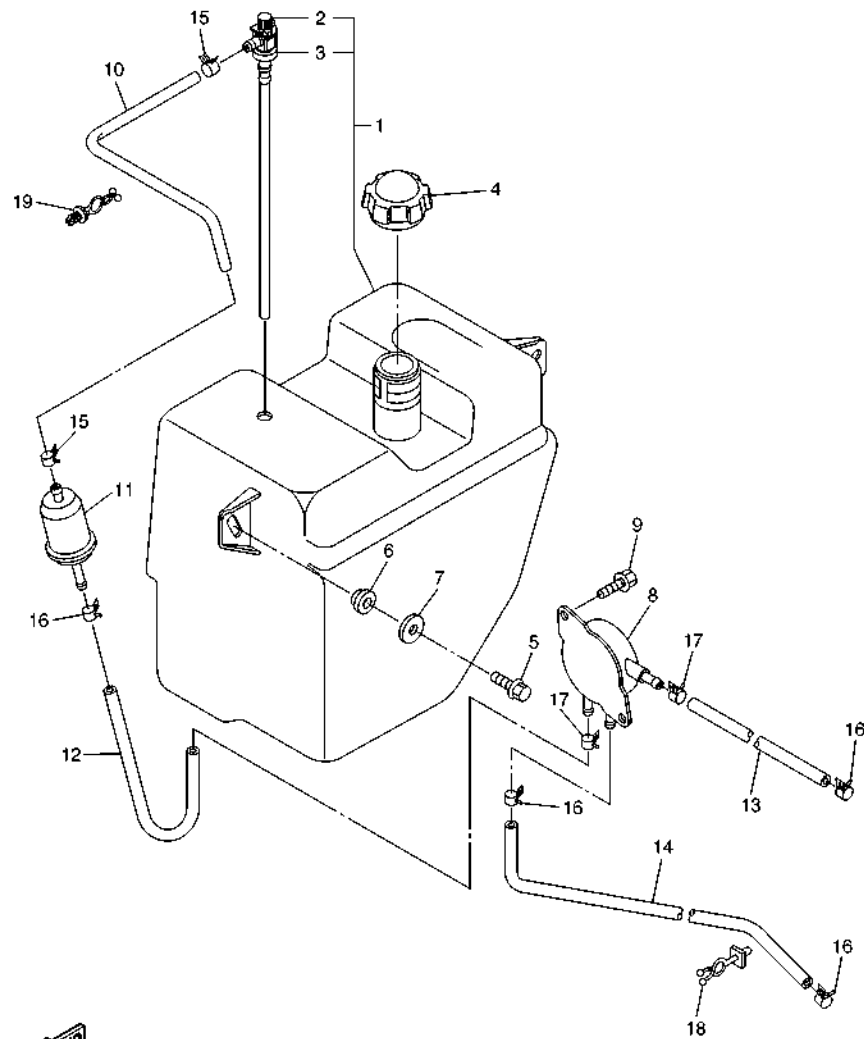


FIG. 14 STEERING

| REF. NO. | PART NO.     | DESCRIPTION            | JU03 |  |  |  | REMARKS         |
|----------|--------------|------------------------|------|--|--|--|-----------------|
| 28       | JU0-F3841-00 | JOINT, UNIVERSAL 1     | 2    |  |  |  |                 |
| 29       | 90105-10810  | BOLT, FLANGE           | 4    |  |  |  |                 |
| 30       | JU0-F3822-00 | JOINT 1                | 1    |  |  |  |                 |
| 31       | 97017-08030  | BOLT                   | 2    |  |  |  |                 |
| 32       | 92907-08600  | WASHER, PLATE          | 2    |  |  |  |                 |
| 33       | JN3-K8357-00 | HOLDER 1               | 1    |  |  |  |                 |
| 34       | JN6-K8358-01 | HOLDER 2               | 1    |  |  |  |                 |
| 35       | 97707-40525  | SCREW, TAPPING         | 2    |  |  |  |                 |
| 36       | 90201-048R5  | WASHER, PLATE          | 2    |  |  |  |                 |
| 37       | 90502-10013  | SPRING, CONICAL        | 2    |  |  |  |                 |
| 38       | 90387-046N7  | COLLAR                 | 2    |  |  |  |                 |
| 39       | JU0-K7762-00 | LABEL, WARNING 2 (E)   | 1    |  |  |  | FOR USA,CAN,JPN |
|          | JU0-K7762-10 | LABEL, WARNING 2 (E,F) | 1    |  |  |  | FOR OTHERS      |
|          | JU0-K7762-20 | LABEL, WARNING 2 (G,S) | 1    |  |  |  | FOR OTHERS      |



JU23100-E040



JU03100-E150

FIG. 15 FUEL TANK

| REF. NO. | PART NO.     | DESCRIPTION      | JU03 |  |  |  | REMARKS |
|----------|--------------|------------------|------|--|--|--|---------|
| 1        | JU0-F4111-01 | TANK, FUEL       | 1    |  |  |  |         |
| 2        | JU0-F4300-10 | .FUEL PIPE JOINT | 1    |  |  |  |         |
| 3        | JU5-F4375-00 | .GROMMET         | 1    |  |  |  |         |
| 4        | JN6-F4610-00 | CAP ASSY         | 1    |  |  |  |         |
| 5        | 90105-08878  | BOLT, FLANGE     | 2    |  |  |  |         |
| 6        | 90560-08251  | SPACER           | 2    |  |  |  |         |
| 7        | 90201-088S2  | WASHER, PLATE    | 2    |  |  |  |         |
| 8        | JN6-F4410-11 | FUEL PUMP ASSY   | 1    |  |  |  |         |
| 9        | JN6-F3394-00 | BOLT, SPECIAL    | 2    |  |  |  |         |
| 10       | JN6-F4312-30 | PIPE 2           | 1    |  |  |  |         |
| 11       | JN6-F4560-00 | FILTER ASSY      | 1    |  |  |  |         |
| 12       | JN6-F4311-30 | PIPE, FUEL 1     | 1    |  |  |  |         |
| 13       | JN6-F4313-30 | PIPE 3           | 1    |  |  |  |         |
| 14       | JN6-F4314-21 | PIPE 4           | 1    |  |  |  |         |
| 15       | 90467-12845  | CLIP             | 2    |  |  |  |         |
| 16       | 90467-10846  | CLIP             | 4    |  |  |  |         |
| 17       | 90467-11090  | CLIP             | 2    |  |  |  |         |
| 18       | 90464-11816  | CLAMP            | 1    |  |  |  |         |
| 19       | 90464-12836  | CLAMP            | 1    |  |  |  |         |

FIG. 16 BRAKE

| REF. NO. | PART NO.     | DESCRIPTION           | JU03 |  |  |  | REMARKS |
|----------|--------------|-----------------------|------|--|--|--|---------|
| 1        | J46-27250-03 | BRAKE ARM COMP.       | 1    |  |  |  |         |
| 2        | 90384-14080  | .BUSH, BIMETAL FORMED | 2    |  |  |  |         |
| 3        | JU0-27211-01 | PEDAL, BRAKE          | 1    |  |  |  |         |
| 4        | JU0-25671-00 | PEDAL, PARKING BRAKE  | 1    |  |  |  |         |
| 5        | 90387-08014  | COLLAR                | 1    |  |  |  |         |
| 6        | 90387-08013  | COLLAR                | 1    |  |  |  |         |
| 7        | 97027-06035  | BOLT                  | 1    |  |  |  |         |
| 8        | 90179-07564  | NUT                   | 1    |  |  |  |         |
| 9        | 97027-08100  | BOLT                  | 1    |  |  |  |         |
| 10       | 95307-08600  | NUT                   | 1    |  |  |  |         |
| 11       | 92907-08200  | WASHER                | 1    |  |  |  |         |
| 12       | J17-25666-02 | SECTOR, PARKING BRAKE | 1    |  |  |  |         |
| 13       | 90384-10162  | BUSH, BIMETAL FORMED  | 1    |  |  |  |         |
| 14       | J17-27221-00 | SEAL, SHAFT           | 2    |  |  |  |         |
| 15       | 92907-10600  | WASHER, PLATE         | 1    |  |  |  |         |
| 16       | 99001-07600  | CIRCLIP               | 1    |  |  |  |         |
| 17       | 90508-14548  | SPRING, TORSION       | 1    |  |  |  |         |
| 18       | J17-25672-01 | PAD, PARKING PEDAL    | 1    |  |  |  |         |
| 19       | J17-27231-03 | ROD, BRAKE            | 1    |  |  |  |         |
| 20       | J17-27232-00 | END, ROD 2            | 1    |  |  |  |         |
| 21       | 95307-06700  | NUT                   | 2    |  |  |  |         |
| 22       | 90506-09001  | SPRING, TENSION       | 1    |  |  |  |         |
| 23       | J17-25673-00 | DAMPER, BRAKE         | 1    |  |  |  |         |
| 24       | J17-27228-00 | PIN, JOINT            | 1    |  |  |  |         |
| 25       | 92907-05600  | WASHER, PLATE         | 1    |  |  |  |         |
| 26       | 99002-04600  | CIRCLIP               | 1    |  |  |  |         |
| 27       | 90387-12009  | COLLAR                | 3    |  |  |  |         |

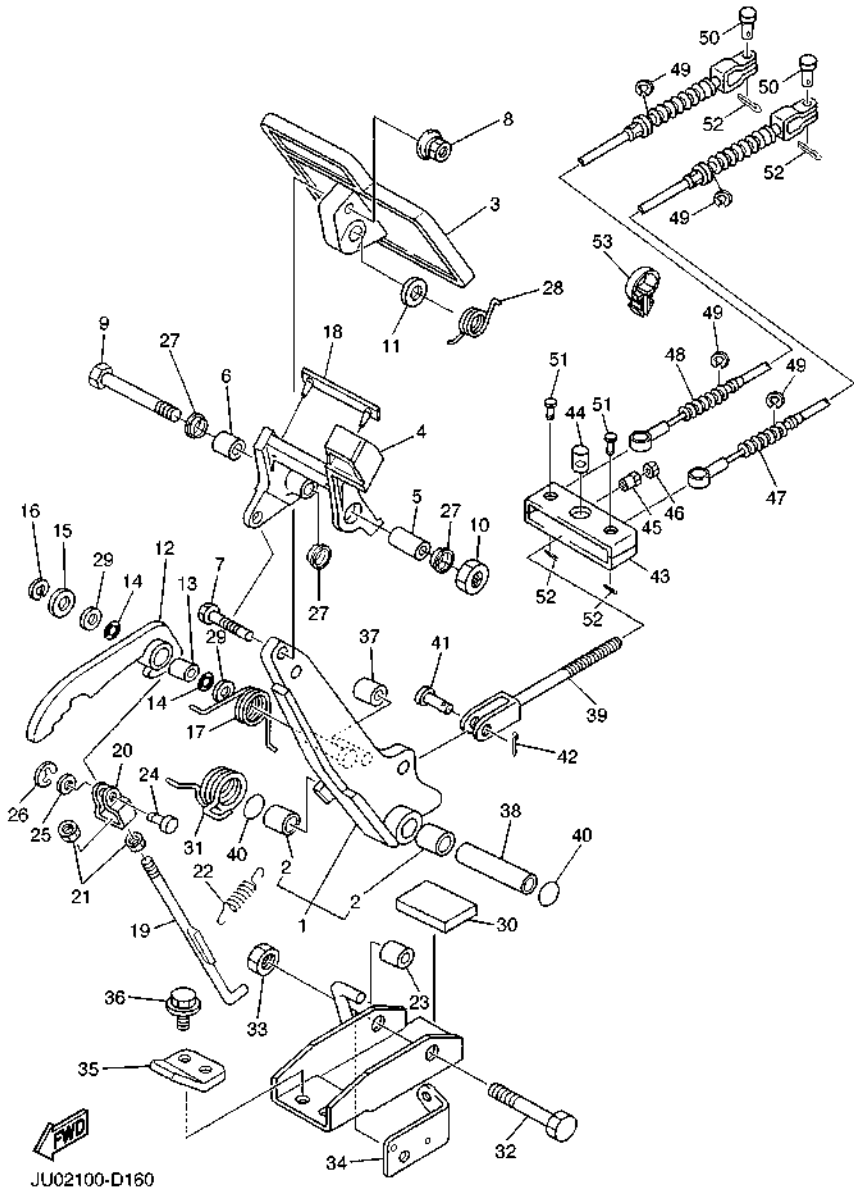


FIG. 16 BRAKE

| REF. NO. | PART NO.     | DESCRIPTION      | JU03 |  |  |  | REMARKS |
|----------|--------------|------------------|------|--|--|--|---------|
| 28       | 90508-32015  | SPRING, TORSION  | 1    |  |  |  |         |
| 29       | 90201-104G8  | WASHER, PLATE    | 2    |  |  |  |         |
| 30       | JN3-F7245-00 | PAD, BRAKE PEDAL | 1    |  |  |  |         |
| 31       | 90508-40007  | SPRING, TORSION  | 1    |  |  |  |         |
| 32       | 90101-10884  | BOLT             | 1    |  |  |  |         |
| 33       | 95607-10200  | NUT, U FLANGE    | 1    |  |  |  |         |
| 34       | J55-2252M-00 | BRACKET, 3       | 1    |  |  |  |         |
| 35       | J17-27246-00 | NAIL, BRAKE      | 1    |  |  |  |         |
| 36       | 90105-08878  | BOLT, FLANGE     | 2    |  |  |  |         |
| 37       | J17-25673-00 | DAMPER, BRAKE    | 1    |  |  |  |         |
| 38       | 90387-107F8  | COLLAR           | 1    |  |  |  |         |
| 39       | JN6-F5685-00 | ROD              | 1    |  |  |  |         |
| 40       | 93210-132A8  | O-RING           | 2    |  |  |  |         |
| 41       | 91701-10022  | PIN, CLEVIS      | 1    |  |  |  |         |
| 42       | 91490-30015  | PIN, COTTER      | 1    |  |  |  |         |
| 43       | JN6-F5681-00 | EQUALIZER, BRAKE | 1    |  |  |  |         |
| 44       | 90249-14129  | PIN              | 1    |  |  |  |         |
| 45       | 90179-08894  | NUT              | 1    |  |  |  |         |
| 46       | 95307-08700  | NUT              | 1    |  |  |  |         |
| 47       | JU0-F6341-10 | CABLE, BRAKE     | 1    |  |  |  |         |
| 48       | JU0-F6351-10 | CABLE, BRAKE     | 1    |  |  |  |         |
| 49       | 99001-09600  | CIRCLIP          | 4    |  |  |  |         |
| 50       | 91701-08018  | PIN, CLEVIS      | 2    |  |  |  |         |
| 51       | 91701-08026  | PIN, CLEVIS      | 2    |  |  |  |         |
| 52       | 91490-25015  | PIN, COTTER      | 4    |  |  |  |         |
| 53       | 90464-19815  | CLAMP            | 1    |  |  |  |         |

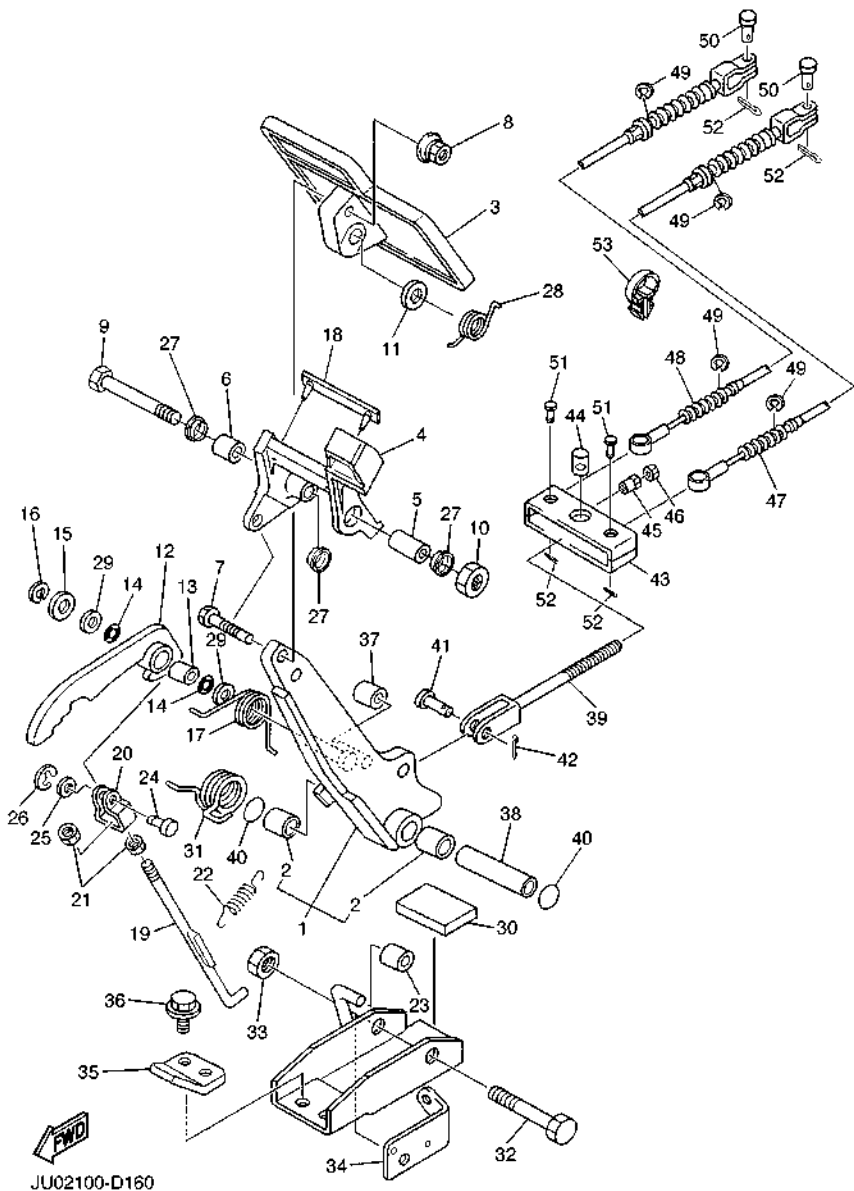
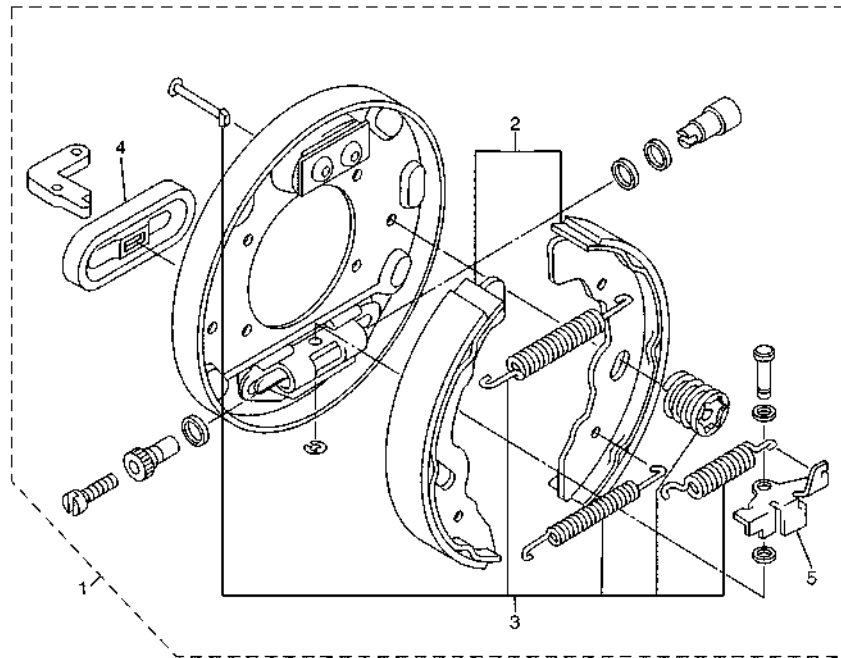


FIG. 17 BRAKE 2



| REF. NO. | PART NO.     | DESCRIPTION           | JU03 |  |  |  | REMARKS |
|----------|--------------|-----------------------|------|--|--|--|---------|
| 1        | JN6-F7290-03 | BACKING PLATE ASSY 2  | 1    |  |  |  | (L.H)   |
| 2        | JN6-F5331-01 | .SHOE, BRAKE 1        | 1    |  |  |  |         |
| 3        | JN6-F819G-00 | .REPAIR PARTS KIT     | 1    |  |  |  |         |
| 4        | JN6-F7286-00 | .COVER, DUST          | 1    |  |  |  |         |
| 5        | JN6-F722E-00 | .LEVER, ADJUSTOR (LH) | 1    |  |  |  |         |
|          |              |                       |      |  |  |  |         |
|          |              |                       |      |  |  |  |         |
|          |              |                       |      |  |  |  |         |
|          |              |                       |      |  |  |  |         |
|          |              |                       |      |  |  |  |         |
|          |              |                       |      |  |  |  |         |
|          |              |                       |      |  |  |  |         |



JT71010-B161

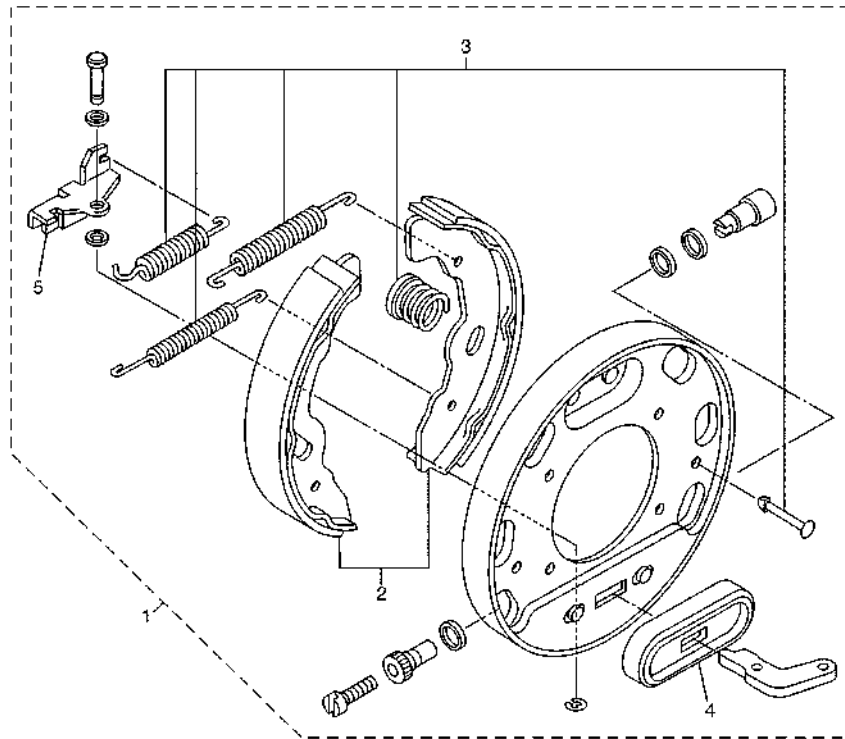
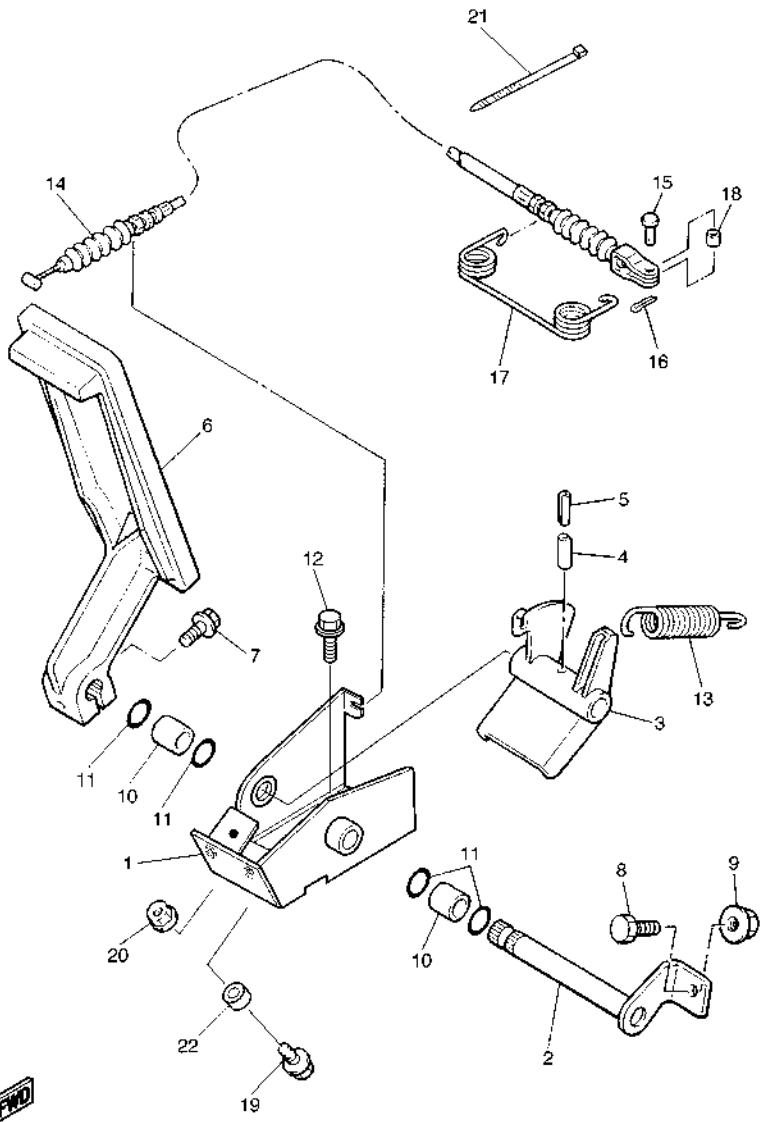


FIG. 18 BRAKE 3

| REF. NO. | PART NO.     | DESCRIPTION           | JU03 |  |  |  | REMARKS |
|----------|--------------|-----------------------|------|--|--|--|---------|
| 1        | JN6-F7280-03 | BACKING PLATE ASSY 1  | 1    |  |  |  | (R.H)   |
| 2        | JN6-F5341-01 | .SHOE, BRAKE 2        | 1    |  |  |  |         |
| 3        | JN6-F819G-00 | .REPAIR PARTS KIT     | 1    |  |  |  |         |
| 4        | JN6-F7286-00 | .COVER, DUST          | 1    |  |  |  |         |
| 5        | JN6-F722F-00 | .LEVER, ADJUSTOR (RH) | 1    |  |  |  |         |
|          |              |                       |      |  |  |  |         |
|          |              |                       |      |  |  |  |         |
|          |              |                       |      |  |  |  |         |
|          |              |                       |      |  |  |  |         |
|          |              |                       |      |  |  |  |         |
|          |              |                       |      |  |  |  |         |



JT71010-B171

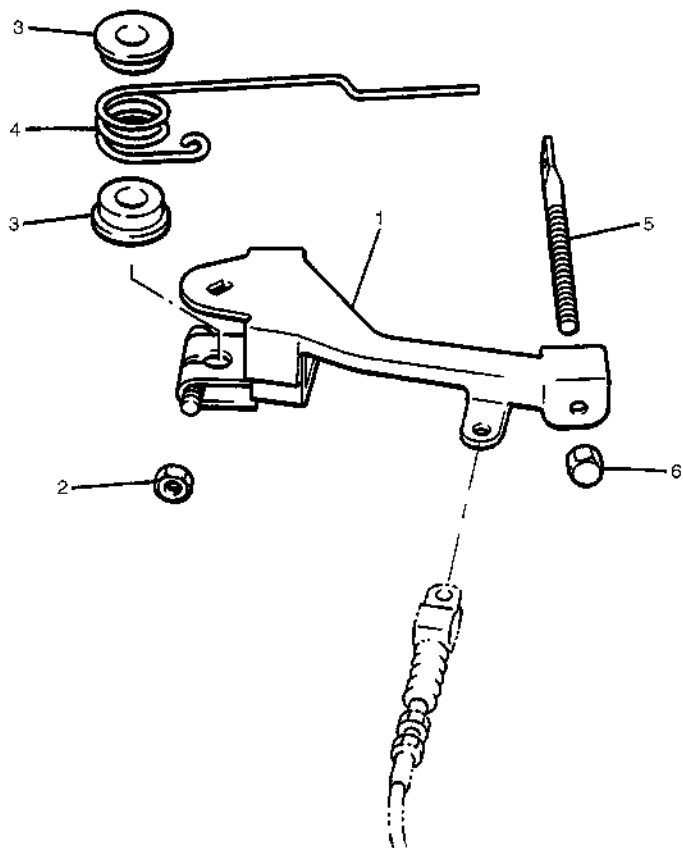


JT71010-B180

FIG. 19 ACCELERATOR

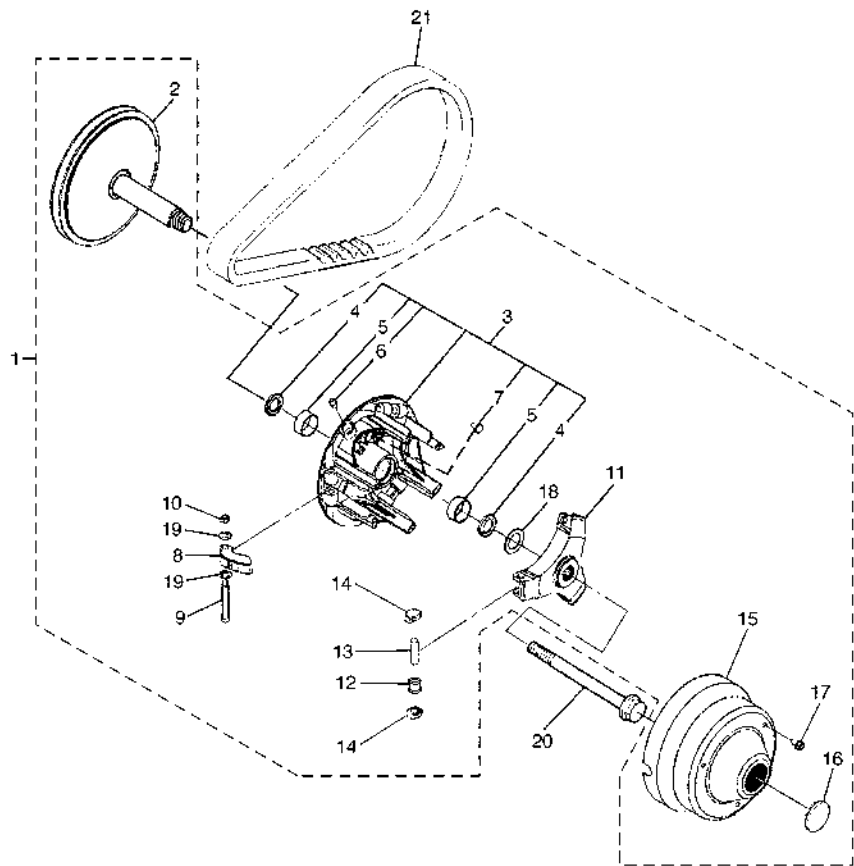
| REF. NO. | PART NO.     | DESCRIPTION                | JU03 |  |  |  | REMARKS |
|----------|--------------|----------------------------|------|--|--|--|---------|
| 1        | JN6-F7874-01 | BRACKET, ACCELERATOR PEDAL | 1    |  |  |  |         |
| 2        | J17-27853-01 | SHAFT, PEDAL 1             | 1    |  |  |  |         |
| 3        | J38-27872-00 | ARM, ACCELERATOR PEDAL     | 1    |  |  |  |         |
| 4        | 91609-60028  | PIN, SPRING                | 1    |  |  |  |         |
| 5        | 91609-35028  | PIN, SPRING                | 1    |  |  |  |         |
| 6        | J10-27871-01 | PEDAL, ACCELERATOR         | 1    |  |  |  |         |
| 7        | 95807-06025  | BOLT, FLANGE               | 1    |  |  |  |         |
| 8        | 90106-08806  | BOLT                       | 1    |  |  |  |         |
| 9        | 95707-08500  | NUT, FLANGE                | 1    |  |  |  |         |
| 10       | 90384-14080  | BUSH, BIMETAL FORMED       | 2    |  |  |  |         |
| 11       | 93210-14104  | O-RING                     | 4    |  |  |  |         |
| 12       | 90105-08878  | BOLT, FLANGE               | 3    |  |  |  |         |
| 13       | 90506-26282  | SPRING, TENSION            | 1    |  |  |  |         |
| 14       | JU0-F6311-00 | CABLE, THROTTLE 1          | 1    |  |  |  |         |
| 15       | 91701-05014  | PIN, CLEVIS                | 1    |  |  |  |         |
| 16       | 90468-10049  | CLIP                       | 1    |  |  |  |         |
| 17       | 90508-16460  | SPRING, TORSION            | 1    |  |  |  |         |
| 18       | 90560-05001  | SPACER                     | 1    |  |  |  |         |
| 19       | 95807-06025  | BOLT, FLANGE               | 1    |  |  |  |         |
| 20       | 95707-06500  | NUT, FLANGE                | 1    |  |  |  |         |
| 21       | 90464-40825  | CLAMP                      | 2    |  |  |  |         |
| 22       | 90387-068T4  | COLLAR                     | 1    |  |  |  |         |

FIG. 20 GOVERNOR



| REF. NO. | PART NO.     | DESCRIPTION          | JU03 |  |  |  | REMARKS |
|----------|--------------|----------------------|------|--|--|--|---------|
| 1        | J38-27951-00 | LEVER, SPEED LIMITER | 1    |  |  |  |         |
| 2        | 95307-06600  | NUT                  | 1    |  |  |  |         |
| 3        | 90386-08141  | BUSH                 | 2    |  |  |  |         |
| 4        | 90508-40678  | SPRING, TORSION      | 1    |  |  |  |         |
| 5        | J38-27959-00 | SCREW, ADJUSTING     | 1    |  |  |  |         |
| 6        | 9560P-06200  | NUT, FLANGE          | 1    |  |  |  |         |
|          |              |                      |      |  |  |  |         |
|          |              |                      |      |  |  |  |         |
|          |              |                      |      |  |  |  |         |
|          |              |                      |      |  |  |  |         |
|          |              |                      |      |  |  |  |         |

  
JT71010-B190



**FWD**  
JT71010-B200

**FIG. 21 PRIMARY SHEAVE**

| REF. NO. | PART NO.     | DESCRIPTION                   | JU03 |  |  |  | REMARKS |
|----------|--------------|-------------------------------|------|--|--|--|---------|
| 1        | JN6-G6201-04 | PRIMARY FIXED SHEAVE ASSY     | 1    |  |  |  |         |
| 2        | JN6-G6210-00 | .PRIMARY FIXED SHEAVE COMP.   | 1    |  |  |  |         |
| 3        | JN6-G6220-00 | .PRIMARY SLIDING SHEAVE COMP. | 1    |  |  |  |         |
| 4        | 93101-28831  | ..OIL SEAL                    | 2    |  |  |  |         |
| 5        | 90384-27823  | ..BUSH, BIMETAL FORMED        | 2    |  |  |  |         |
| 6        | 93700-06810  | ..NIPPLE, GREASE              | 1    |  |  |  |         |
| 7        | 90338-04840  | ..PLUG                        | 3    |  |  |  |         |
| 8        | JN6-G6232-01 | .WEIGHT 1                     | 3    |  |  |  |         |
| 9        | 90109-06860  | .BOLT                         | 3    |  |  |  |         |
| 10       | 90185-06834  | .NUT, SELF-LOCKING            | 3    |  |  |  |         |
| 11       | JN6-G6251-01 | .SPIDER                       | 1    |  |  |  |         |
| 12       | JN6-G6258-02 | .COLLAR, ROLLER               | 3    |  |  |  |         |
| 13       | 93610-358A3  | .PIN, DOWEL                   | 3    |  |  |  |         |
| 14       | JN6-G6253-00 | .SLIDER                       | 6    |  |  |  |         |
| 15       | JU0-G6231-00 | .CAP                          | 1    |  |  |  |         |
| 16       | JU0-G6297-00 | .COVER, DUST                  | 1    |  |  |  |         |
| 17       | 90105-06861  | .BOLT, FLANGE                 | 3    |  |  |  |         |
| 18       | 90201-228K5  | .WASHER, PLATE                | 1    |  |  |  |         |
| 19       | JN6-G621F-00 | .SHIM, THRUST                 | 6    |  |  |  |         |
| 20       | JN6-G6249-00 | BOLT                          | 1    |  |  |  |         |
| 21       | J55-G6241-00 | V-BELT                        | 1    |  |  |  |         |

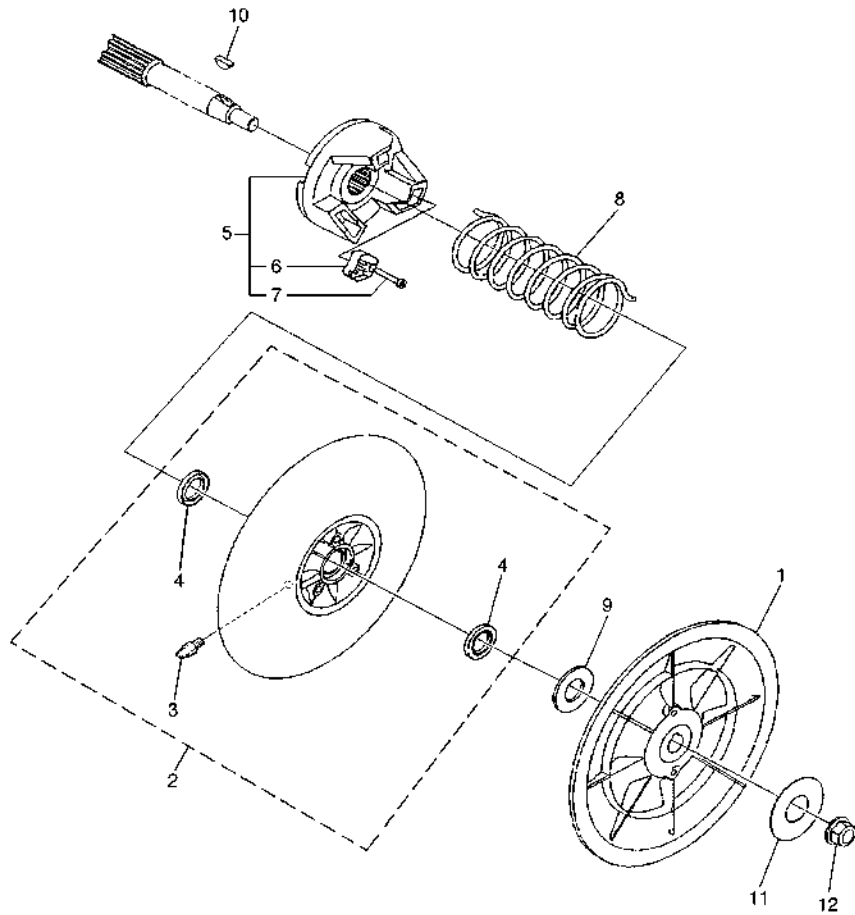
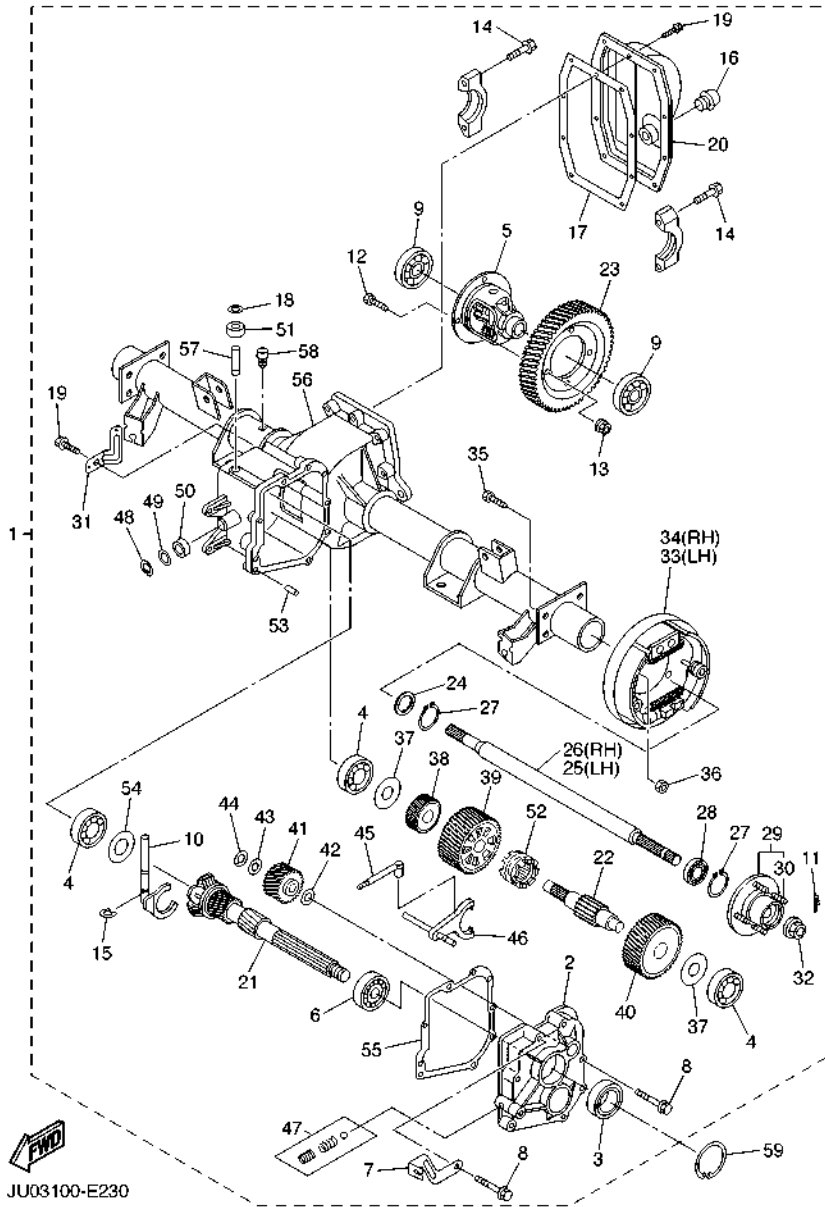


FIG. 22 SECONDARY SHEAVE

| REF. NO. | PART NO.     | DESCRIPTION                    | JU03 |  |  |  | REMARKS |
|----------|--------------|--------------------------------|------|--|--|--|---------|
| 1        | JN6-G6260-00 | SECONDARY FIXED SHEAVE COMP.   | 1    |  |  |  |         |
| 2        | JN6-G6270-01 | SECONDARY SLIDING SHEAVE COMP. | 1    |  |  |  |         |
| 3        | 93700-06809  | .NIPPLE, GREASE                | 1    |  |  |  |         |
| 4        | 93109-20069  | .OIL SEAL                      | 2    |  |  |  |         |
| 5        | JN6-G6280-00 | SECONDARY SPRING SEAT COMP.    | 1    |  |  |  |         |
| 6        | JN6-E7688-00 | .SHOE, RAMP                    | 3    |  |  |  |         |
| 7        | 90110-04834  | .BOLT, HEXAGON SOCKET HEAD     | 3    |  |  |  |         |
| 8        | 90508-45844  | SPRING, TORSION                | 1    |  |  |  |         |
| 9        | 90202-20130  | WASHER, PLATE                  | 1    |  |  |  |         |
| 10       | 90280-05022  | KEY, WOODRUFF                  | 1    |  |  |  |         |
| 11       | 90201-128S5  | WASHER, PLATE                  | 1    |  |  |  |         |
| 12       | 95607-12200  | NUT, SELF-LOCKING              | 1    |  |  |  |         |
|          |              |                                |      |  |  |  |         |
|          |              |                                |      |  |  |  |         |
|          |              |                                |      |  |  |  |         |
|          |              |                                |      |  |  |  |         |
|          |              |                                |      |  |  |  |         |



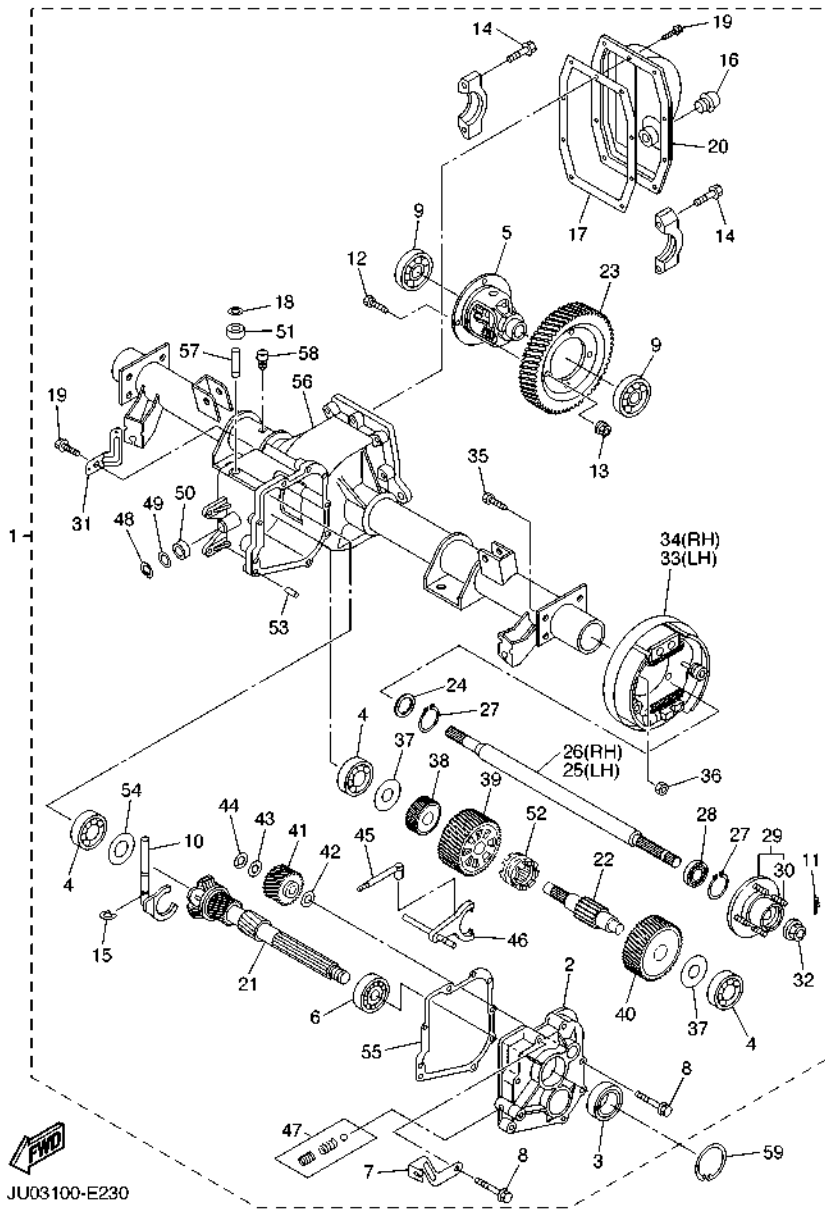
JU03100-E220



JU03100-E230

FIG. 23 TRANSMISSION 1

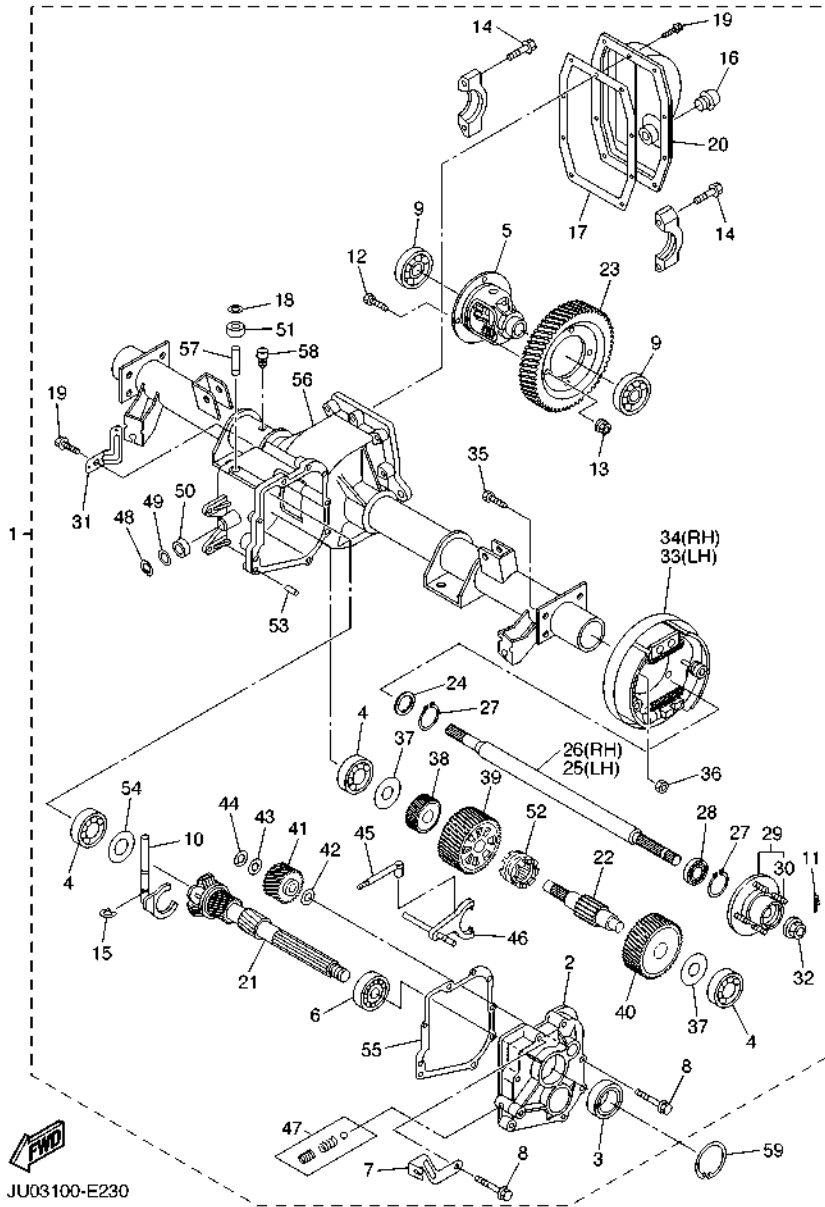
| REF. NO. | PART NO.     | DESCRIPTION               | JU03 |  |  |  | REMARKS |
|----------|--------------|---------------------------|------|--|--|--|---------|
| 1        | JU0-G6300-11 | TRANS AXLE ASSY           | 1    |  |  |  |         |
| 2        | JN3-G6313-00 | .COVER, TRNSMISSION       | 1    |  |  |  |         |
| 3        | 93102-25868  | .OIL SEAL                 | 1    |  |  |  |         |
| 4        | 93306-303Y6  | .BEARING                  | 3    |  |  |  |         |
| 5        | JN6-G6410-00 | .DIFFERENTIAL ASSY.       | 1    |  |  |  |         |
| 6        | 93306-005Y4  | .BEARING                  | 1    |  |  |  |         |
| 7        | JN6-G6555-00 | .BRACKET 2                | 1    |  |  |  |         |
| 8        | 90105-08859  | .BOLT, FLANGE             | 7    |  |  |  |         |
| 9        | 93306-007Y0  | .BEARING                  | 2    |  |  |  |         |
| 10       | JN3-G633E-01 | .BAR 1                    | 1    |  |  |  |         |
| 11       | 91490-25025  | .PIN, COTTER              | 2    |  |  |  |         |
| 12       | 90101-10854  | .BOLT                     | 4    |  |  |  |         |
| 13       | 90170-10840  | .NUT                      | 4    |  |  |  |         |
| 14       | 90105-10840  | .BOLT, FLANGE             | 4    |  |  |  |         |
| 15       | JU0-F722H-00 | .RETAINER                 | 1    |  |  |  |         |
| 16       | JN3-G6432-00 | .STOPPER                  | 1    |  |  |  |         |
| 17       | JU0-G631A-00 | .GSKT., CASE              | 1    |  |  |  |         |
| 18       | JU0-F723F-00 | .WASHER, SPECIAL          | 1    |  |  |  |         |
| 19       | 90101-08856  | .BOLT                     | 11   |  |  |  |         |
| 20       | JN3-G6314-00 | .COVER, TRANSMISSION      | 1    |  |  |  |         |
| 21       | JN3-G6320-01 | .INPUT SHAFT ASSY         | 1    |  |  |  |         |
| 22       | JN3-G633G-00 | .SHAFT                    | 1    |  |  |  |         |
| 23       | JN3-G6355-00 | .GEAR, PRIMARY            | 1    |  |  |  |         |
| 24       | 93101-24822  | .OIL SEAL                 | 2    |  |  |  |         |
| 25       | JN3-G6511-00 | .SHAFT, REAR AXLE 1 (L.H) | 1    |  |  |  |         |
| 26       | JN3-G6512-00 | .SHAFT, REAR AXLE 2 (R.H) | 1    |  |  |  |         |
| 27       | 93420-44805  | .CIRCLIP                  | 4    |  |  |  |         |



JU03100-E230

FIG. 23 TRANSMISSION 1

| REF. NO. | PART NO.     | DESCRIPTION             | JU03 |  |  |  | REMARKS         |
|----------|--------------|-------------------------|------|--|--|--|-----------------|
| 28       | 93306-004X5  | .BEARING                | 2    |  |  |  |                 |
| 29       | JN3-G6514-00 | .HUB, REAR AXLE         | 2    |  |  |  |                 |
| 30       | 90114-12804  | ..BOLT, SERRATION       | 4    |  |  |  |                 |
| 31       | JN3-G6556-00 | .BRACKET 3              | 1    |  |  |  |                 |
| 32       | 90185-16833  | .NUT, SELF-LOCKING      | 2    |  |  |  |                 |
| 33       | JN6-F7290-03 | .BACKING PLATE ASSY 2   | 1    |  |  |  | SEE FIG.17(L.H) |
| 34       | JN6-F7280-03 | .BACKING PLATE ASSY 1   | 1    |  |  |  | SEE FIG.18(R.H) |
| 35       | 90101-08855  | .BOLT                   | 8    |  |  |  |                 |
| 36       | 90170-08841  | .NUT                    | 8    |  |  |  |                 |
| 37       | 90201-178H8  | .WASHER, PLATE          | 2    |  |  |  |                 |
| 38       | JN3-G6316-00 | .GEAR, PINION 1         | 1    |  |  |  |                 |
| 39       | JN3-G6326-00 | .GEAR, WHEEL 1          | 1    |  |  |  |                 |
| 40       | JN3-G6327-00 | .GEAR, WHEEL 2          | 1    |  |  |  |                 |
| 41       | JN3-G6356-00 | .GEAR, IDLER            | 1    |  |  |  |                 |
| 42       | 90201-208H9  | .WASHER, PLATE          | 1    |  |  |  |                 |
| 43       | 90201-208J0  | .WASHER, PLATE          | 1    |  |  |  |                 |
| 44       | 93440-20813  | .CIRCLIP                | 1    |  |  |  |                 |
| 45       | JN3-G638A-00 | .BAR, SHIFT 1           | 1    |  |  |  |                 |
| 46       | JN6-G638E-00 | .BAR, SHIFT 2           | 1    |  |  |  |                 |
| 47       | JU0-G6376-00 | .SPRING SET             | 1    |  |  |  |                 |
| 48       | 93410-12822  | .CIRCLIP                | 1    |  |  |  |                 |
| 49       | 90202-12807  | .WASHER, PLATE          | 1    |  |  |  |                 |
| 50       | 93104-11829  | .OIL SEAL               | 1    |  |  |  |                 |
| 51       | 93109-10820  | .OIL SEAL               | 1    |  |  |  |                 |
| 52       | JN3-G6153-00 | .COLLAR, GUIDE          | 1    |  |  |  |                 |
| 53       | 93606-10842  | .PIN, DOWEL             | 2    |  |  |  |                 |
| 54       | JN3-G6344-00 | .SHIM, 0.76MM (0.030IN) | 1    |  |  |  | UR              |

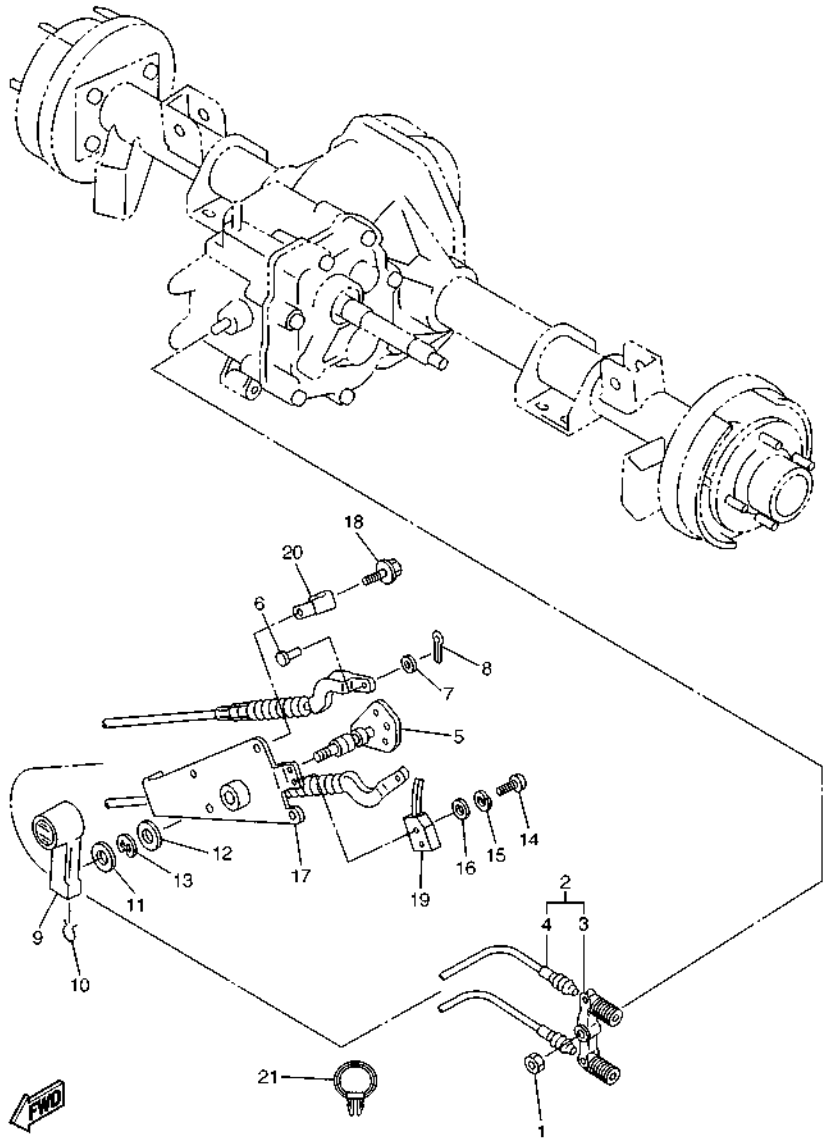


JU03100-E230

FIG. 23 TRANSMISSION 1

| REF. NO. | PART NO.     | DESCRIPTION             | JU03 |  |  |  | REMARKS |
|----------|--------------|-------------------------|------|--|--|--|---------|
| 54       | JN3-G6344-10 | .SHIM, 0.90MM (0.035IN) | 1    |  |  |  | UR      |
|          | JN3-G6344-20 | .SHIM, 1.00MM (0.040IN) | 1    |  |  |  | UR      |
|          | JN3-G6344-30 | .SHIM, 1.14MM (0.045IN) | 1    |  |  |  | UR      |
|          | JN3-G6344-40 | .SHIM, 1.27MM (0.050IN) | 1    |  |  |  | UR      |
|          | JN3-G6344-50 | .SHIM, 1.39MM (0.055IN) | 1    |  |  |  | UR      |
|          | JN3-G6344-60 | .SHIM, 1.52MM (0.060IN) | 1    |  |  |  | UR      |
|          | JN3-G6344-70 | .SHIM, 1.65MM (0.065IN) | 1    |  |  |  | UR      |
|          | JN3-G6344-80 | .SHIM, 0.38MM (0.015IN) | 1    |  |  |  | UR      |
|          | JN3-G6344-90 | .SHIM, 1.78MM (0.070IN) | 1    |  |  |  | UR      |
|          | JN3-G6344-A0 | .SHIM, 1.92MM (0.075IN) | 1    |  |  |  | UR      |
|          | JN3-G6344-B0 | .SHIM, 2.03MM (0.080IN) | 1    |  |  |  | UR      |
|          | JN3-G6344-C0 | .SHIM, 2.12MM (0.085IN) | 1    |  |  |  | UR      |
|          | JN3-G6344-D0 | .SHIM, 2.29MM (0.090IN) | 1    |  |  |  | UR      |
| 55       | JN3-G6319-00 | .GASKET                 | 1    |  |  |  |         |
| 56       | JU0-G6290-00 | .CASEASSY               | 1    |  |  |  |         |
| 57       | JU0-G6164-00 | .BEARING 1              | 1    |  |  |  |         |
| 58       | JH7-G5619-00 | .CAP                    | 1    |  |  |  |         |
| 59       | 93410-25017  | CIRCLIP                 | 1    |  |  |  |         |



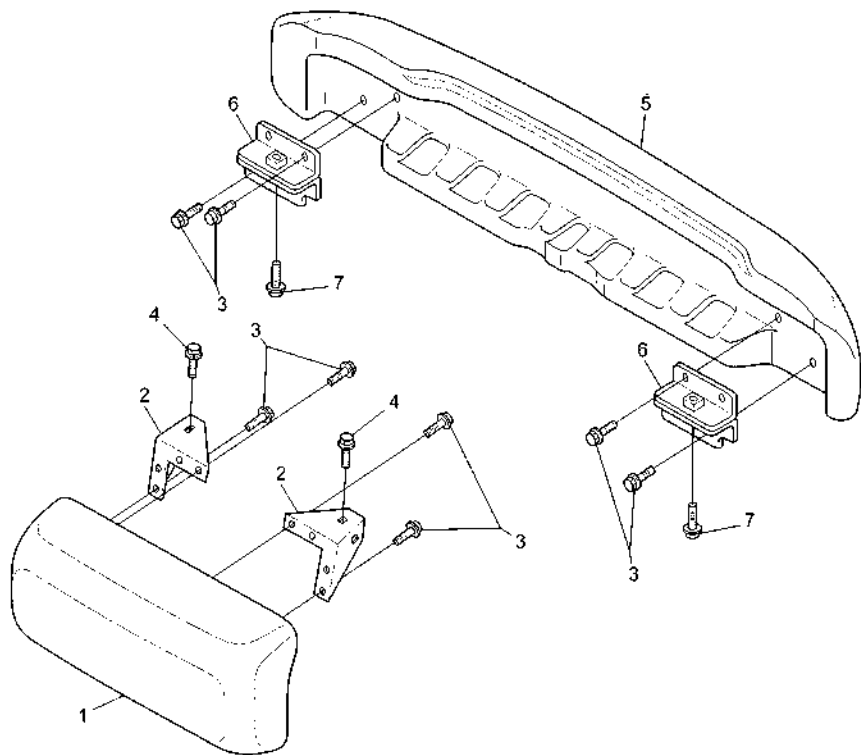


JT71010-B240

FIG. 25 SHIFTER & CABLES

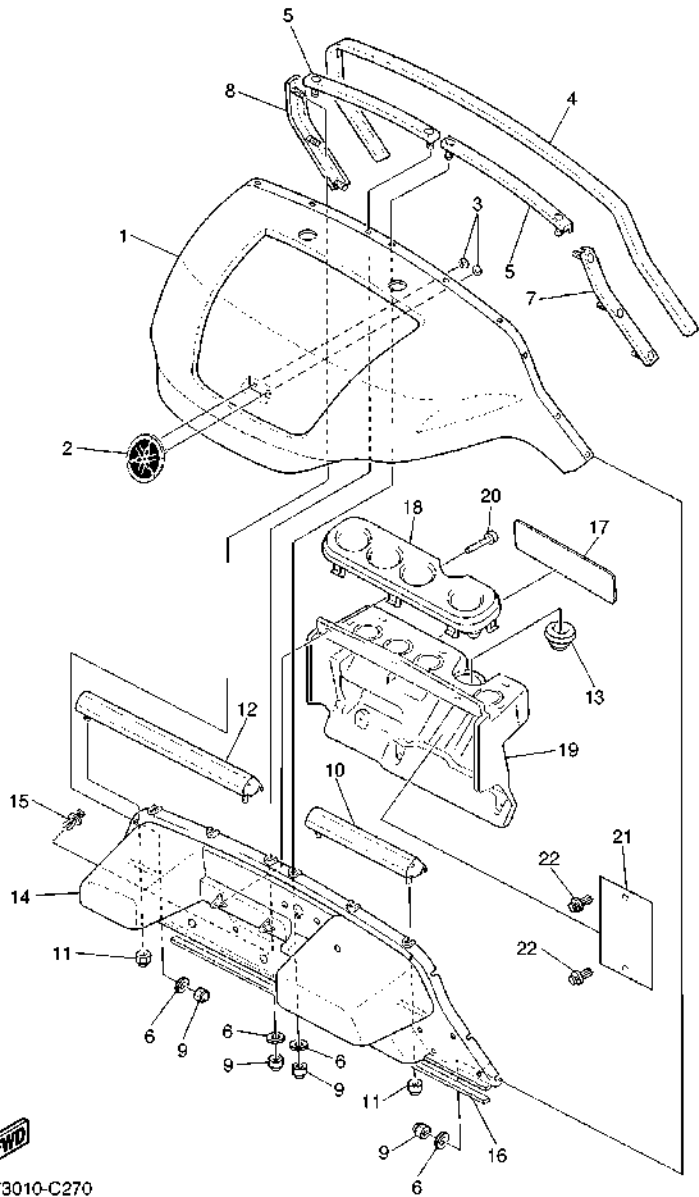
| REF. NO. | PART NO.     | DESCRIPTION         | JU03 |  |  |  | REMARKS |
|----------|--------------|---------------------|------|--|--|--|---------|
| 1        | 95607-08100  | NUT, U              | 1    |  |  |  |         |
| 2        | JN3-G8330-00 | CABLE END ASSY      | 1    |  |  |  |         |
| 3        | J55-G6383-00 | .LEVER, SHIFT 2     | 1    |  |  |  |         |
| 4        | JN3-G6371-00 | .WIRE, SHIFT        | 2    |  |  |  |         |
| 5        | JF2-46382-00 | LEVER, SHIFT 1      | 1    |  |  |  |         |
| 6        | 91701-06014  | PIN, CLEVIS         | 2    |  |  |  |         |
| 7        | 9290P-06600  | WASHER              | 2    |  |  |  |         |
| 8        | 91401-20012  | PIN, COTTER         | 2    |  |  |  |         |
| 9        | JN3-G6381-00 | KNOB, SHIFT         | 1    |  |  |  |         |
| 10       | JN3-G6376-00 | SPRING SET          | 1    |  |  |  |         |
| 11       | 90201-208S8  | WASHER, PLATE       | 1    |  |  |  |         |
| 12       | 90201-198S7  | WASHER, PLATE       | 1    |  |  |  |         |
| 13       | 99009-19400  | CIRCLIP             | 1    |  |  |  |         |
| 14       | 98507-04016  | SCREW, PAN HEAD     | 2    |  |  |  |         |
| 15       | 92907-04100  | WASHER, SPRING      | 2    |  |  |  |         |
| 16       | 92907-04600  | WASHER              | 2    |  |  |  |         |
| 17       | JN3-G6372-00 | BRACKET, SHIFT WIRE | 1    |  |  |  |         |
| 18       | 90105-06876  | BOLT, FLANGE        | 4    |  |  |  |         |
| 19       | JN3-82617-01 | SWITCH              | 1    |  |  |  |         |
| 20       | 90465-06038  | CLAMP               | 1    |  |  |  |         |
| 21       | 90464-19815  | CLAMP               | 1    |  |  |  |         |

FIG. 26 BUMPER



 JW0100-5240

| REF. NO. | PART NO.     | DESCRIPTION        | JU03 |  |  |  | REMARKS |
|----------|--------------|--------------------|------|--|--|--|---------|
| 1        | JN3-K7510-10 | FRONT BUMPER COMP. | 1    |  |  |  |         |
| 2        | JU0-K8164-00 | STAY, FRONT BUMPER | 2    |  |  |  |         |
| 3        | 90105-06876  | BOLT, FLANGE       | 8    |  |  |  |         |
| 4        | 9581P-08012  | BOLT, FLANGE       | 2    |  |  |  |         |
| 5        | JN6-K7540-10 | REAR BUMPER COMP.  | 1    |  |  |  |         |
| 6        | JN3-K8174-00 | STAY, REAR BUMPER  | 2    |  |  |  |         |
| 7        | 90105-10881  | BOLT, FLANGE       | 2    |  |  |  |         |
|          |              |                    |      |  |  |  |         |
|          |              |                    |      |  |  |  |         |
|          |              |                    |      |  |  |  |         |
|          |              |                    |      |  |  |  |         |
|          |              |                    |      |  |  |  |         |
|          |              |                    |      |  |  |  |         |
|          |              |                    |      |  |  |  |         |

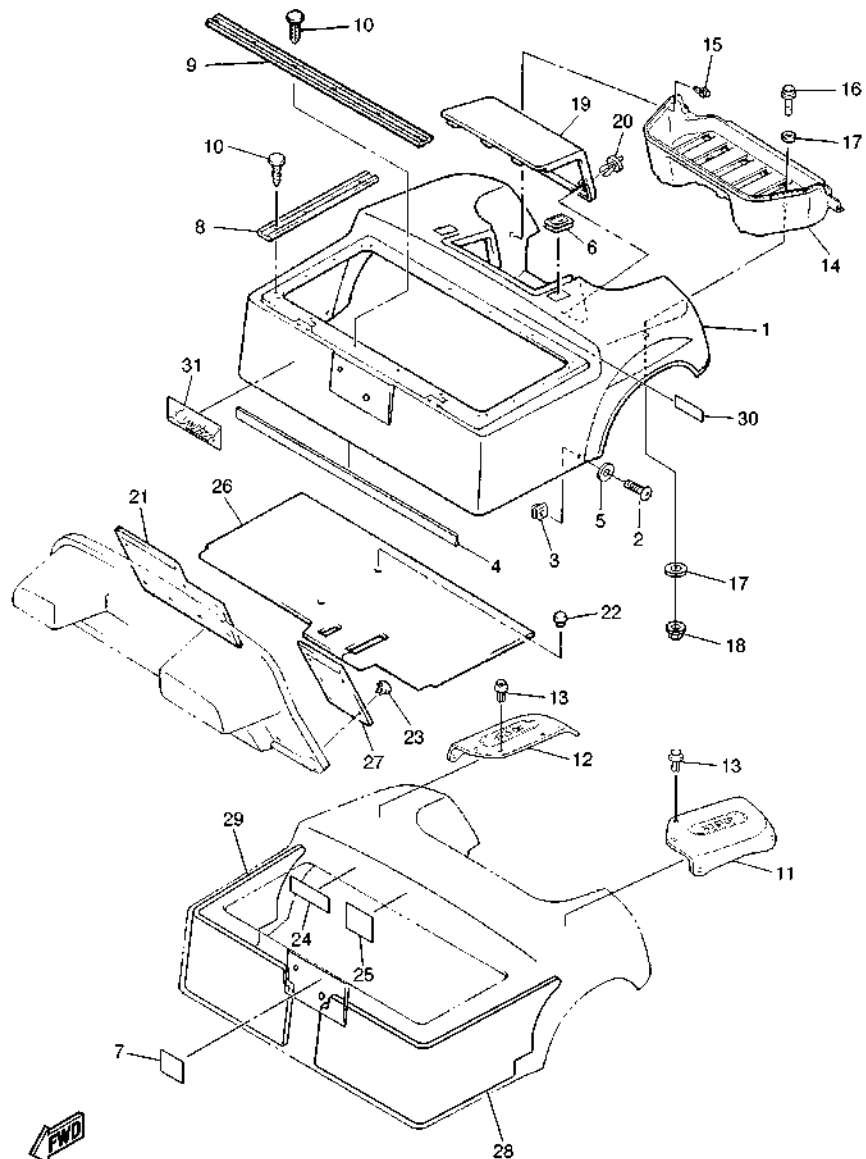


  
JT73010-C270

**FIG. 27 BODY**

| REF. NO. | PART NO.     | DESCRIPTION            | JU03 |  |  | REMARKS         |
|----------|--------------|------------------------|------|--|--|-----------------|
| 1        | JU0-K8115-00 | COWL, FRONT            | 1    |  |  | UR FOR VPYS2    |
|          | JU0-K8115-30 | COWL, FRONT            | 1    |  |  | UR FOR HTR      |
|          | JU0-K8115-50 | COWL, FRONT            | 1    |  |  | UR FOR VDGS1    |
|          | JU0-K8115-60 | COWL, FRONT            | 1    |  |  | UR FOR DRMG     |
|          | JU0-K8115-80 | COWL, FRONT            | 1    |  |  | UR FOR DPBMT    |
|          | JU0-K8115-90 | COWL, FRONT            | 1    |  |  | UR FOR PURW     |
| 2        | JU0-F4161-00 | EMBLEM 1               | 1    |  |  |                 |
| 3        | JU0-K7573-00 | NUT, SPECIAL           | 2    |  |  |                 |
| 4        | JF2-K811V-00 | PROTECTOR 1            | 1    |  |  |                 |
| 5        | JU0-K8261-00 | PLATE, BODY PROTECT 1  | 2    |  |  |                 |
| 6        | 90201-06829  | WASHER, PLATE          | 10   |  |  |                 |
| 7        | JF2-K8262-01 | PLATE, BODY PROTECT 2  | 1    |  |  |                 |
| 8        | JF2-K8263-01 | PLATE, BODY PRTOTECT 3 | 1    |  |  |                 |
| 9        | 90185-06836  | NUT, SELF-LOCKING      | 10   |  |  |                 |
| 10       | JN6-K8264-10 | PLATE, BODY PROTECT 4  | 1    |  |  |                 |
| 11       | 9560P-06200  | NUT, FLANGE            | 4    |  |  |                 |
| 12       | JN6-K8265-10 | PLATE, BODY PROTECT 5  | 1    |  |  |                 |
| 13       | JN3-K8273-10 | COVER, HOLE            | 1    |  |  |                 |
| 14       | JF2-K8114-03 | PANEL, FRONT           | 1    |  |  |                 |
| 15       | 90269-08066  | RIVET                  | 3    |  |  |                 |
| 16       | JN3-K815G-00 | SEAL, FRONT STORAGE    | 1    |  |  |                 |
| 17       | JN3-K7768-01 | LABEL, WARNING 8 (E)   | 1    |  |  | FOR USA,CAN,JPN |
|          | JN3-K7768-11 | LABEL, WARNING 8 (E,F) | 1    |  |  | FOR OTHERS      |
|          | JN3-K7768-21 | LABEL, WARNING 8 (G,S) | 1    |  |  | FOR OTHERS      |
| 18       | JN6-K835E-00 | HOLDER, BEVERAGE       | 1    |  |  |                 |
| 19       | JN3-K835G-00 | HOUSING, HOLDER        | 1    |  |  |                 |
| 20       | 9770P-60130  | SCREW, TAPPING         | 6    |  |  |                 |

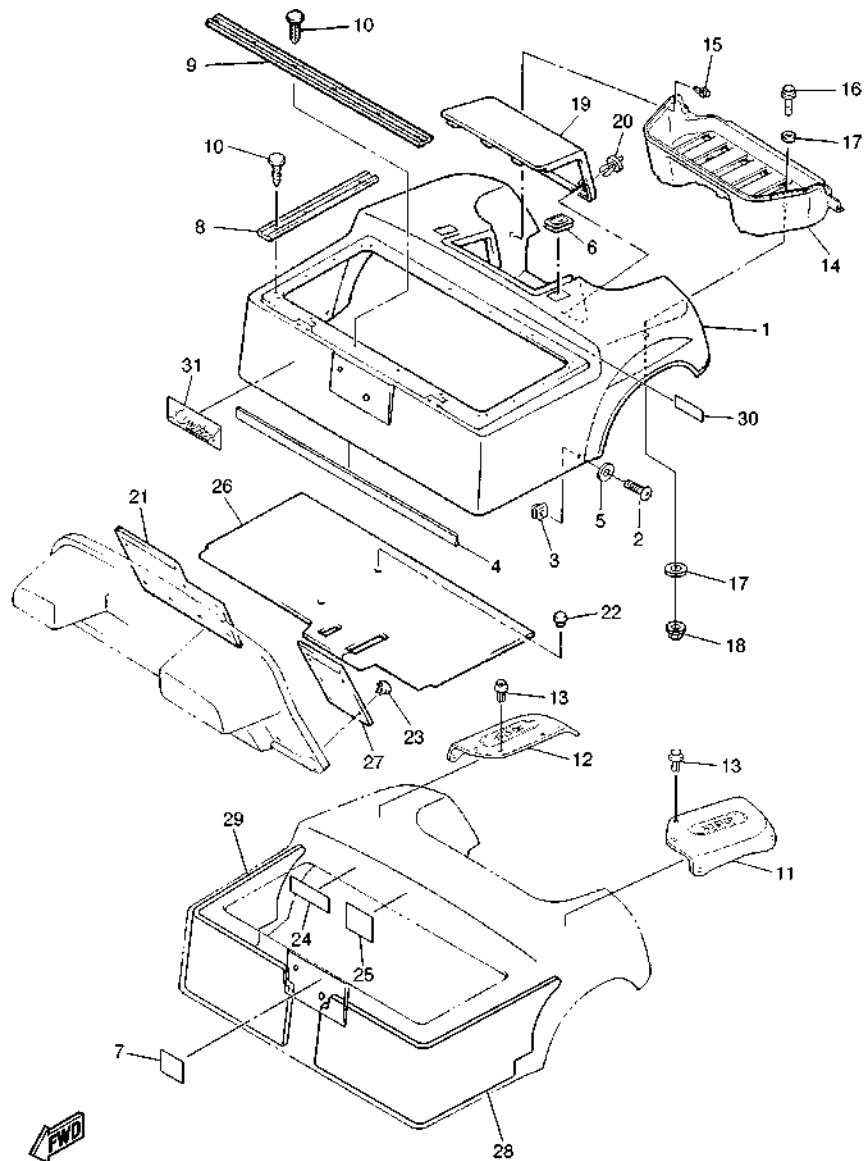




JU03100-E280

FIG. 28 BODY 2

| REF. NO. | PART NO.     | DESCRIPTION               | JU03 |  |  | REMARKS      |
|----------|--------------|---------------------------|------|--|--|--------------|
| 1        | JN6-K8142-02 | PANEL, REAR BODY          | 1    |  |  | UR FOR VPYS2 |
|          | JU0-K8142-32 | PANEL, REAR BODY          | 1    |  |  | UR FOR HTR   |
|          | JN6-K8142-52 | PANEL, REAR BODY          | 1    |  |  | UR FOR VDGS1 |
|          | JU0-K8142-62 | PANEL, REAR BODY          | 1    |  |  | UR FOR DRMG  |
|          | JU0-K8142-82 | PANEL, REAR BODY          | 1    |  |  | UR FOR DPBMT |
|          | JU0-K8142-90 | PANEL, REAR BODY          | 1    |  |  | UR FOR PURW  |
| 2        | 90110-06837  | BOLT, HEXAGON SOCKET HEAD | 2    |  |  |              |
| 3        | 90183-06811  | NUT, SPRING               | 2    |  |  |              |
| 4        | JN6-K824E-00 | TRIM, REAR BODY 1         | 1    |  |  |              |
| 5        | 90201-068H0  | WASHER, PLATE             | 2    |  |  |              |
| 6        | JN3-K8363-00 | PROTECTOR                 | 2    |  |  |              |
| 7        | JN3-K7741-00 | INDICATOR 1               | 1    |  |  |              |
| 8        | JN3-K8425-00 | SEAL, SEAT                | 2    |  |  |              |
| 9        | JN3-K842A-00 | SEAL, SEAT 2              | 2    |  |  |              |
| 10       | 90338-05834  | PLUG                      | 20   |  |  |              |
| 11       | JN3-K8243-10 | MAT, REAR BODY SIDE (LH)  | 1    |  |  |              |
| 12       | JN3-K8244-10 | MAT, REAR BODY SIDE (RH)  | 1    |  |  |              |
| 13       | 90269-07810  | RIVET                     | 10   |  |  |              |
| 14       | JF2-K8237-00 | COVER, REAR FLOOR         | 1    |  |  |              |
| 15       | 90269-08813  | RIVET                     | 7    |  |  |              |
| 16       | 90101-06876  | BOLT                      | 2    |  |  |              |
| 17       | 90201-068G7  | WASHER, PLATE             | 4    |  |  |              |
| 18       | 9572R-06300  | NUT, NYLON                | 2    |  |  |              |
| 19       | JU0-K8151-00 | PANEL, INSPECTION LID 1   | 1    |  |  |              |
| 20       | 90269-06804  | RIVET                     | 2    |  |  |              |
| 21       | JN6-K8232-01 | MAT, MAIN FLOOR 2         | 1    |  |  |              |
| 22       | 90269-08813  | RIVET                     | 4    |  |  |              |



JU03100-E280

FIG. 28 BODY 2

| REF. NO. | PART NO.     | DESCRIPTION       | JU03 |  |  |  | REMARKS    |
|----------|--------------|-------------------|------|--|--|--|------------|
| 23       | 90267-63047  | RIVET, BLIND      | 9    |  |  |  |            |
| 24       | JN3-K8297-10 | PLATE, CAUTION 1  | 1    |  |  |  |            |
| 25       | JN3-K8299-10 | PLATE, CAUTION    | 1    |  |  |  |            |
| 26       | JN6-K8233-01 | MAT, MAIN FLOOR 3 | 1    |  |  |  |            |
| 27       | JN6-K8231-01 | MAT, MAIN FLOOR 1 | 1    |  |  |  |            |
| 28       | JU0-K8251-00 | PAD, SILENCER 1   | 1    |  |  |  |            |
| 29       | JU0-K8252-00 | PAD, SILENCER 2   | 1    |  |  |  |            |
| 30       | JN6-H2377-00 | LABEL             | 1    |  |  |  | FOR CANADA |
| 31       | JU0-F1781-00 | EMBLEM 1          | 1    |  |  |  | FOR PURW   |

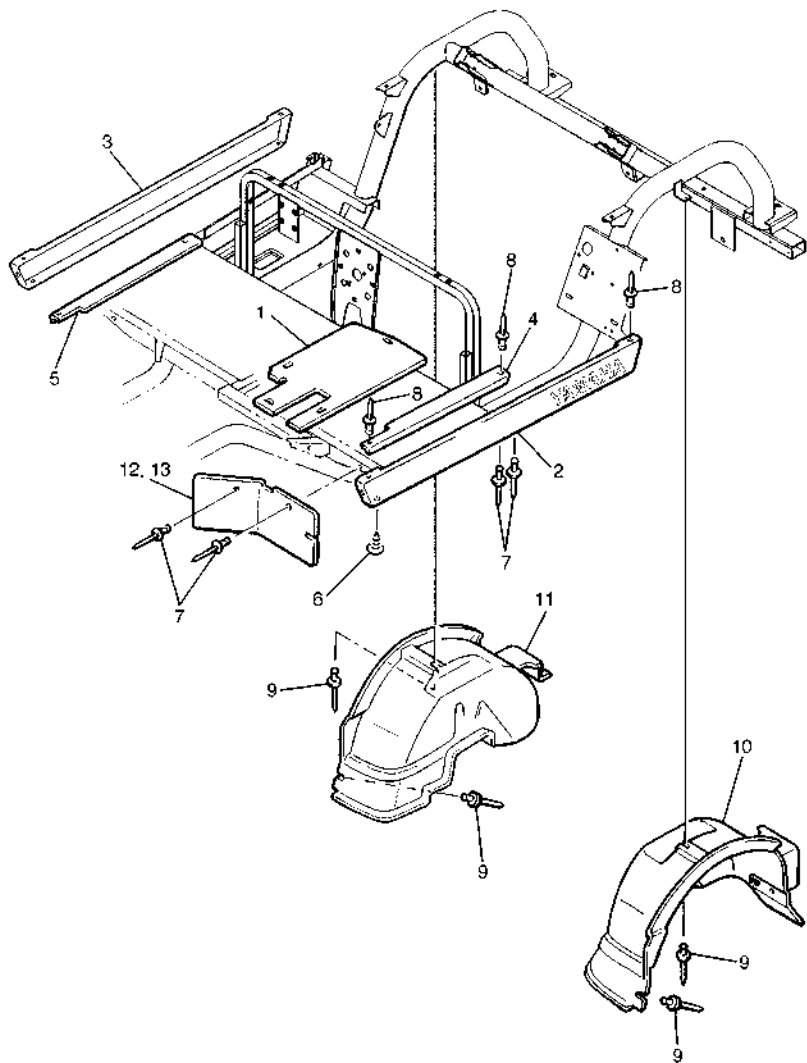


FIG. 29 BODY FITTING

| REF. NO. | PART NO.     | DESCRIPTION              | JU03 |  |  |  | REMARKS |
|----------|--------------|--------------------------|------|--|--|--|---------|
| 1        | JN6-K8271-00 | SERVICE LID, PEDAL       | 1    |  |  |  |         |
| 2        | JU0-K818A-00 | PROTECTOR, SIDE PLATE    | 1    |  |  |  |         |
| 3        | JU0-K818B-00 | PROTECTOR, SIDE PLATE 2  | 1    |  |  |  |         |
| 4        | JF2-K8215-10 | PLATE, SIDE TRIM         | 1    |  |  |  |         |
| 5        | JF2-K821F-10 | PLATE, SIDE TRIM         | 1    |  |  |  |         |
| 6        | 90338-05829  | PLUG                     | 4    |  |  |  |         |
| 7        | 90267-48831  | RIVET, BLIND             | 8    |  |  |  |         |
| 8        | 90267-48154  | RIVET, BLIND             | 6    |  |  |  |         |
| 9        | 90267-48086  | RIVET, BLIND             | 4    |  |  |  |         |
| 10       | JF2-K8191-01 | PANEL, REAR FENDER 1     | 1    |  |  |  |         |
| 11       | JF2-K8192-01 | PANEL, REAR FENDER 2     | 1    |  |  |  |         |
| 12       | JF2-K8187-00 | FLAP, FRONT FENDER (L.H) | 1    |  |  |  |         |
| 13       | JF2-K8189-00 | FLAP, FRONT FENDER (R.H) | 1    |  |  |  |         |
|          |              |                          |      |  |  |  |         |
|          |              |                          |      |  |  |  |         |
|          |              |                          |      |  |  |  |         |
|          |              |                          |      |  |  |  |         |

PWC  
JW41110-C290

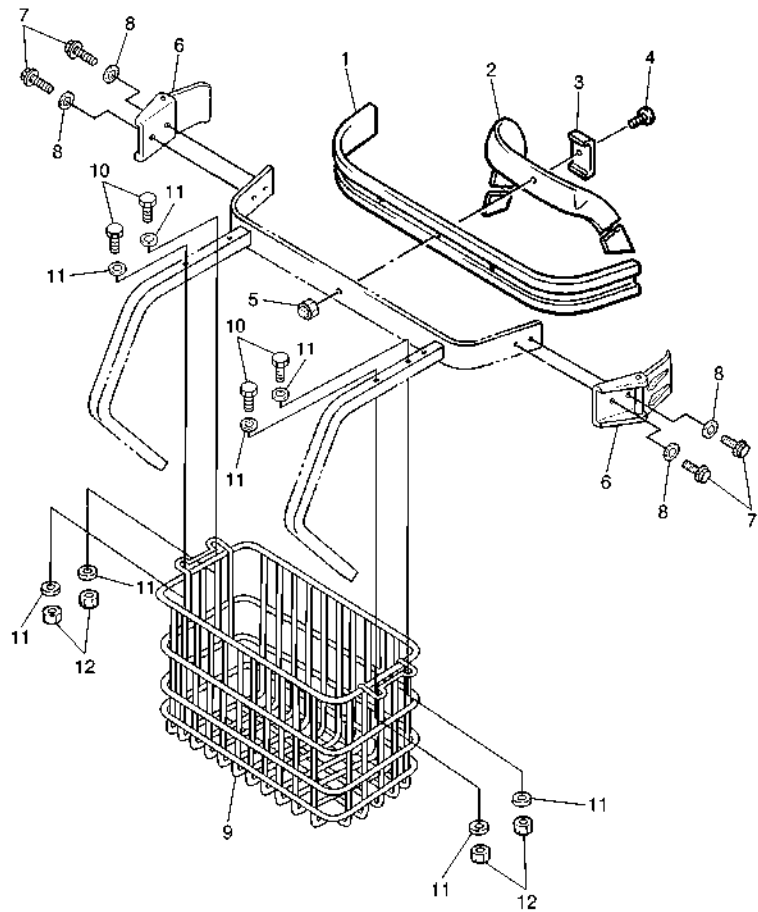


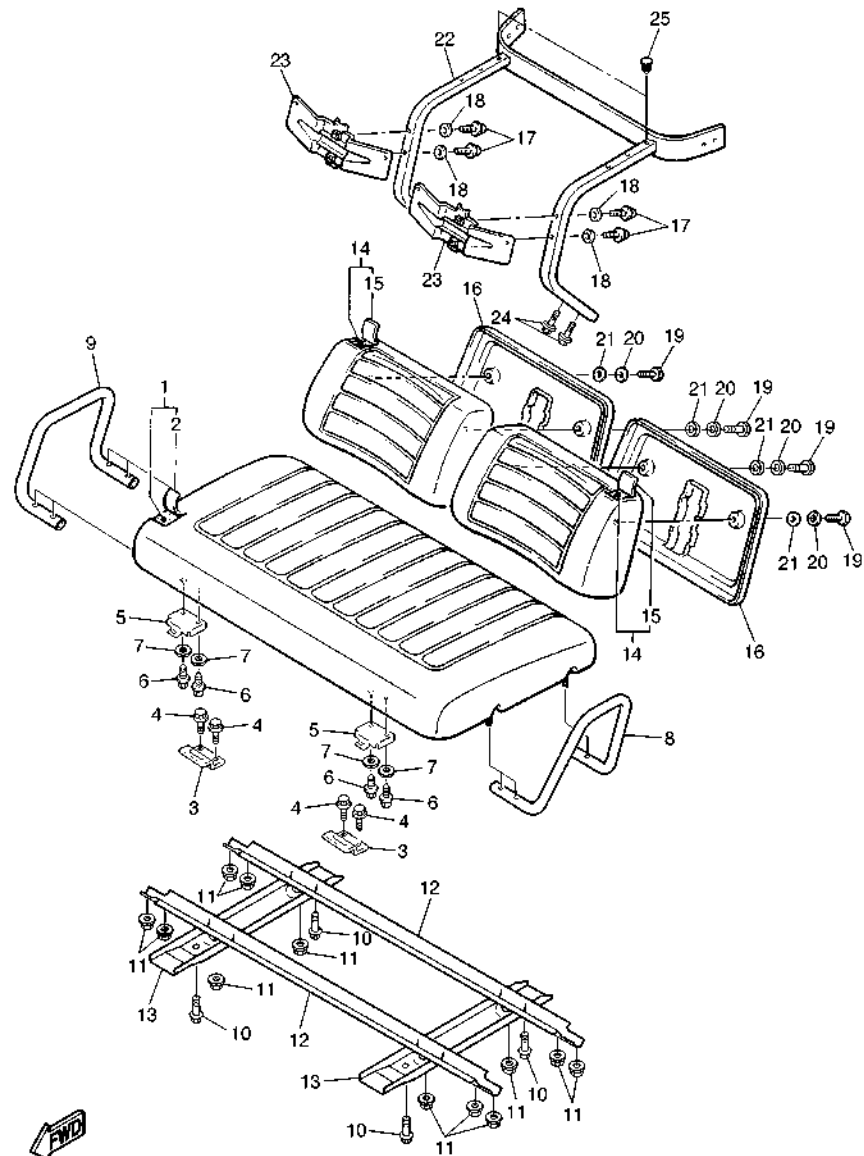
FIG. 30 CARRIER

| REF. NO. | PART NO.     | DESCRIPTION              | JU03 |  |  |  | REMARKS |
|----------|--------------|--------------------------|------|--|--|--|---------|
| 1        | JF2-K8356-00 | PAD, BAG SUPPORT         | 1    |  |  |  |         |
| 2        | JN6-K8355-00 | BAND                     | 1    |  |  |  |         |
| 3        | J38-78367-00 | PLATE, ANCHOR            | 1    |  |  |  |         |
| 4        | 90101-06865  | BOLT                     | 1    |  |  |  |         |
| 5        | 90185-06836  | NUT, SELF-LOCKING        | 1    |  |  |  |         |
| 6        | JN6-K8380-00 | LOCK ASSY                | 2    |  |  |  |         |
| 7        | 90159-06845  | SCREW, WITH WASHER       | 4    |  |  |  |         |
| 8        | 9299R-06200  | WASHER                   | 4    |  |  |  |         |
| 9        | JN6-K8340-00 | LUGGAGE RACK ASSY., REAR | 1    |  |  |  |         |
| 10       | 90111-08803  | BOLT, HEX. SOCKET BUTTON | 4    |  |  |  |         |
| 11       | 90201-088R9  | WASHER, PLATE            | 8    |  |  |  |         |
| 12       | 90185-08832  | NUT, SELF-LOCKING        | 4    |  |  |  |         |
|          |              |                          |      |  |  |  |         |
|          |              |                          |      |  |  |  |         |
|          |              |                          |      |  |  |  |         |
|          |              |                          |      |  |  |  |         |
|          |              |                          |      |  |  |  |         |



JT73010-C310

D10

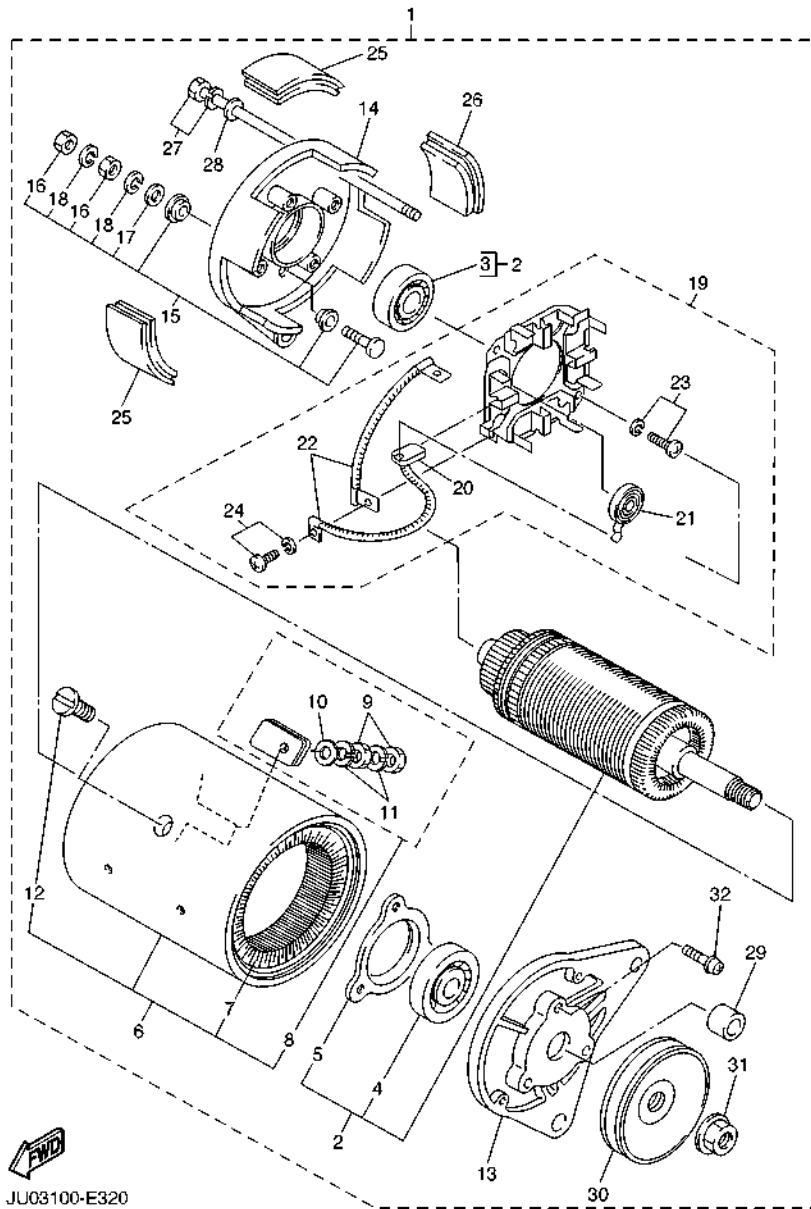


JT73010-C320

FIG. 31 SEAT

| REF. NO. | PART NO.     | DESCRIPTION             | JU03 |  |  | REMARKS        |
|----------|--------------|-------------------------|------|--|--|----------------|
| 1        | JN6-K8401-10 | SEAT SUB-ASSY,CUSHION   | 1    |  |  | UR IVORY WHITE |
|          | JU0-K8401-00 | SEAT SUB-ASSY,CUSHION   | 1    |  |  | UR MILKY BROWN |
| 2        | JN6-K8404-10 | .COVER,SEAT             | 1    |  |  | UR IVORY WHITE |
|          | JU0-K8404-00 | .COVER,SEAT             | 1    |  |  | UR MILKY BROWN |
| 3        | JF2-K8427-00 | HINGE, SEAT 2           | 2    |  |  |                |
| 4        | 90105-06903  | BOLT, FLANGE            | 4    |  |  |                |
| 5        | JN3-K8426-01 | HINGE, SEAT 1           | 2    |  |  |                |
| 6        | 90111-06810  | BOLT,HEX. SOCKET BUTTON | 4    |  |  |                |
| 7        | 90204-06807  | WASHER, SPRING          | 4    |  |  |                |
| 8        | JN6-K8361-00 | ARM REST 1              | 1    |  |  |                |
| 9        | JU0-K8362-00 | ARM REST 2              | 1    |  |  |                |
| 10       | 90167-04815  | SCREW, TAPPING          | 4    |  |  |                |
| 11       | 9560P-08200  | NUT                     | 12   |  |  |                |
| 12       | JN6-K8121-00 | REINFORCEMENT 1         | 2    |  |  |                |
| 13       | JN6-K8122-02 | REINFORCEMENT 2         | 2    |  |  |                |
| 14       | JN3-K8402-00 | SEAT SUB ASSY, BACK     | 2    |  |  | UR IVORY WHITE |
|          | JU0-K8402-00 | SEAT SUB ASSY, BACK     | 2    |  |  | UR MILKY BROWN |
| 15       | JN3-K841G-09 | .COVER, SEAT BACK 2     | 1    |  |  | UR IVORY WHITE |
|          | JU0-K841G-09 | .COVER, SEAT BACK 2     | 1    |  |  | UR MILKY BROWN |
| 16       | JN3-K8413-00 | COVER, SEAT BACK        | 2    |  |  |                |
| 17       | 90119-08820  | BOLT, WITH WASHER       | 4    |  |  |                |
| 18       | 90201-098J4  | WASHER, PLATE           | 4    |  |  |                |
| 19       | 90201-068G0  | WASHER, PLATE           | 4    |  |  |                |
| 20       | 95880-06025  | BOLT, FLANGE            | 4    |  |  |                |
| 21       | 90201-068G6  | WASHER, PLATE           | 4    |  |  |                |
| 22       | JU0-K8423-00 | SUPPORT, SEAT BACK      | 1    |  |  |                |
| 23       | JN3-K842H-00 | RETAINER, SEAT          | 2    |  |  |                |





JU03100-E320

FIG. 32 STARTING MOTOR

| REF. NO. | PART NO.     | DESCRIPTION                   | JU03 |  |  |  | REMARKS |
|----------|--------------|-------------------------------|------|--|--|--|---------|
| 1        | JN6-H1100-03 | STARTER GENERATOR ASSY        | 1    |  |  |  |         |
| 2        | JN3-H1150-00 | .ARMATURE ASSY                | 1    |  |  |  |         |
| 3        | 93306-20226  | ..BEARING                     | 1    |  |  |  | KOYO    |
| 4        | 93306-30317  | ..BEARING                     | 1    |  |  |  |         |
| 5        | J10-81159-10 | ..HOLDER, BEARING             | 1    |  |  |  |         |
| 6        | JN6-H1110-10 | ..STATOR ASSY                 | 1    |  |  |  |         |
| 7        | JN6-H1160-10 | ..FIELD COIL ASSY             | 1    |  |  |  |         |
| 8        | J10-81148-10 | ..SCREW SET 4                 | 2    |  |  |  |         |
| 9        | 9530N-06600  | ...NUT                        | 2    |  |  |  |         |
| 10       | 9290N-06600  | ...WASHER                     | 1    |  |  |  |         |
| 11       | 9290N-06100  | ...WASHER, SPRING             | 2    |  |  |  |         |
| 12       | J10-81146-10 | ..SCREW 2                     | 4    |  |  |  |         |
| 13       | JN6-H1165-00 | .BRACKET, STARTER GENERATOR 1 | 1    |  |  |  |         |
| 14       | J10-81166-10 | .BRACKET, STARTER GENERATOR 2 | 1    |  |  |  |         |
| 15       | J10-81147-10 | .SCREW SET 3                  | 2    |  |  |  |         |
| 16       | 9530N-06600  | ..NUT                         | 2    |  |  |  |         |
| 17       | 9290N-06600  | ..WASHER                      | 1    |  |  |  |         |
| 18       | 9290N-06100  | ..WASHER, SPRING              | 2    |  |  |  |         |
| 19       | JN6-H1119-00 | .BRUSH HOLDER ASSY            | 1    |  |  |  |         |
| 20       | JF2-H1111-00 | ..BRUSH                       | 4    |  |  |  |         |
| 21       | JN6-H1113-00 | ..SPRING, BRUSH               | 4    |  |  |  |         |
| 22       | J10-H1115-10 | ..WIRE, LEAD                  | 2    |  |  |  |         |
| 23       | 9850N-05016  | ..SCREW, PAN HEAD             | 2    |  |  |  |         |
| 24       | 9850N-04010  | ..SCREW, PAN HEAD             | 4    |  |  |  |         |
| 25       | J10-81129-10 | .COVER, BRUSH                 | 3    |  |  |  |         |
| 26       | J10-H1139-10 | .COVER, BRUSH 2               | 1    |  |  |  |         |
| 27       | J10-81145-10 | .SCREW 1                      | 2    |  |  |  |         |



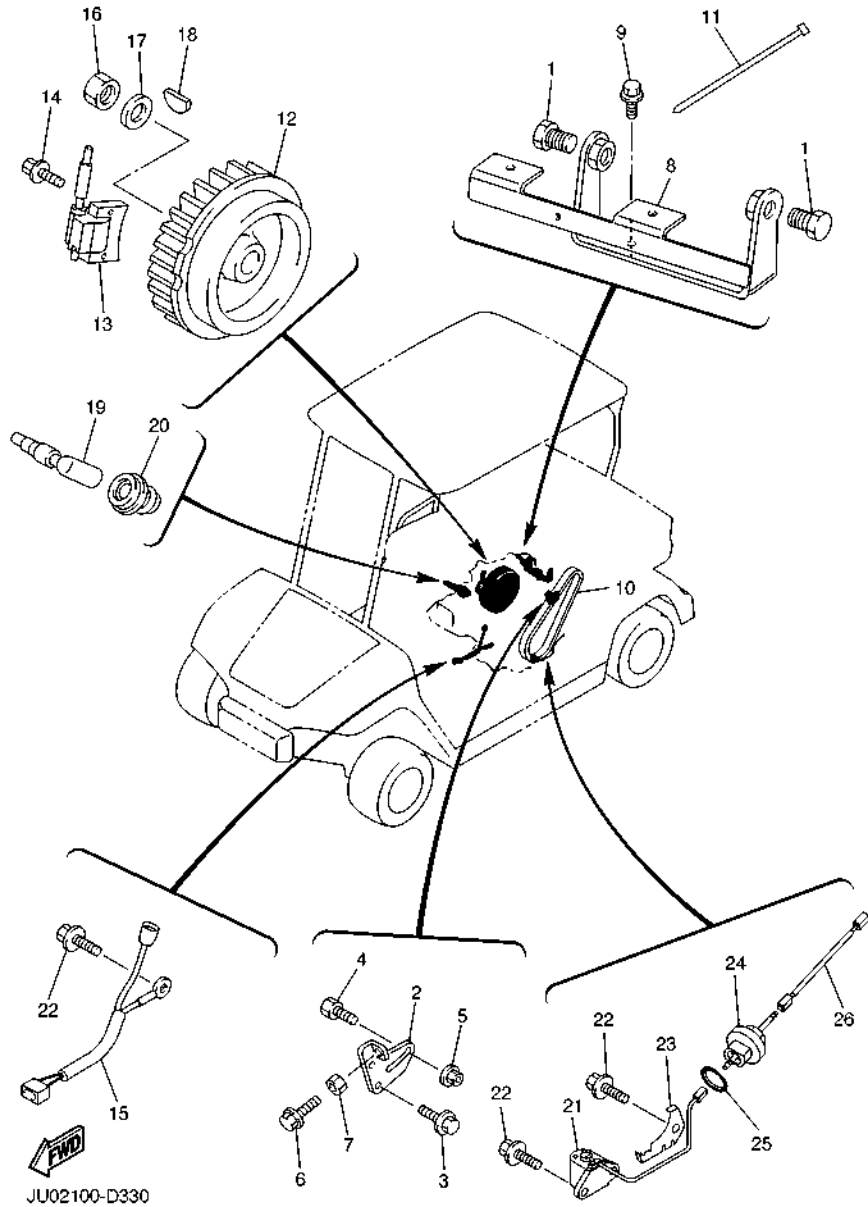
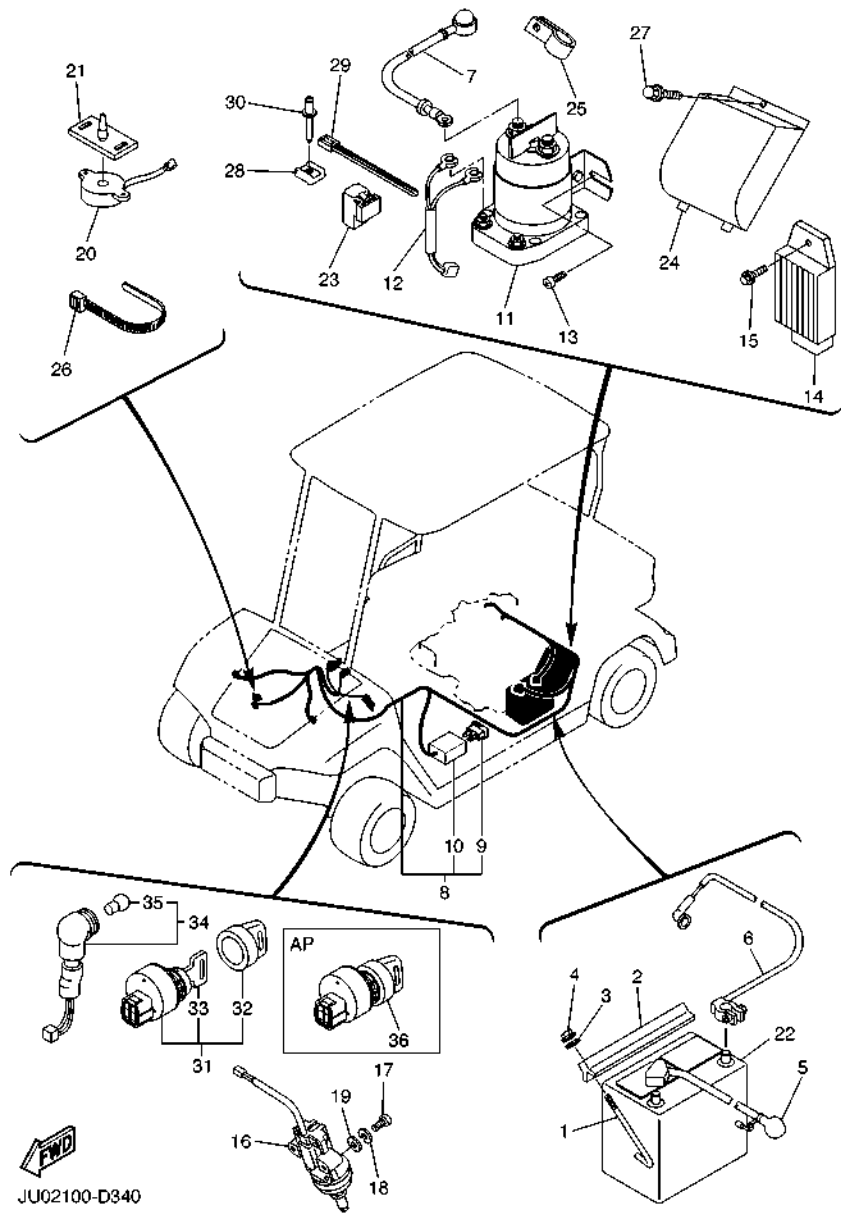


FIG. 33 ELECTRICAL 1

| REF. NO. | PART NO.     | DESCRIPTION                | JU03 |  |  |  | REMARKS |
|----------|--------------|----------------------------|------|--|--|--|---------|
| 1        | 9581P-12025  | BOLT, FLANGE               | 2    |  |  |  |         |
| 2        | JN6-H1170-00 | TENSIONER ASSY             | 1    |  |  |  |         |
| 3        | 9582P-08020  | BOLT, FLANGE               | 2    |  |  |  |         |
| 4        | 90109-08875  | BOLT                       | 1    |  |  |  |         |
| 5        | 95707-08500  | NUT, FLANGE                | 1    |  |  |  |         |
| 6        | 90101-06478  | BOLT                       | 1    |  |  |  |         |
| 7        | 95307-06600  | NUT                        | 1    |  |  |  |         |
| 8        | JN6-H1171-10 | BRACKET, STARTER GENERATOR | 1    |  |  |  |         |
| 9        | 9582P-08020  | BOLT, FLANGE               | 2    |  |  |  |         |
| 10       | JN6-H1173-00 | BELT                       | 1    |  |  |  |         |
| 11       | 90464-09823  | CLAMP                      | 1    |  |  |  |         |
| 12       | JR7-85650-00 | ROTOR ASSY                 | 1    |  |  |  |         |
| 13       | JN6-85640-01 | T.C.I. UNIT ASSY           | 1    |  |  |  |         |
| 14       | 95827-06025  | BOLT, FLANGE               | 2    |  |  |  |         |
| 15       | JN6-82318-00 | WIRE, SUB-LEAD             | 1    |  |  |  |         |
| 16       | 95307-18600  | NUT                        | 1    |  |  |  |         |
| 17       | 90201-18620  | WASHER, PLATE              | 1    |  |  |  |         |
| 18       | 90280-04052  | KEY, WOODRUFF              | 1    |  |  |  |         |
| 19       | JN6-82370-00 | PLUG CAP ASSY              | 1    |  |  |  |         |
| 20       | JE8-82372-00 | SEAL, PLUG CAP             | 1    |  |  |  |         |
| 21       | JT0-85720-00 | OIL LEVEL GAUGE ASSY       | 1    |  |  |  |         |
| 22       | 95827-06012  | BOLT, FLANGE               | 4    |  |  |  |         |
| 23       | JT0-85724-00 | CLAMP                      | 1    |  |  |  |         |
| 24       | JT0-15362-00 | PLUG, OIL LEVEL            | 1    |  |  |  |         |
| 25       | 93210-15414  | O-RING                     | 1    |  |  |  |         |
| 26       | JT0-8231Y-00 | WIRE, LEAD                 | 1    |  |  |  |         |



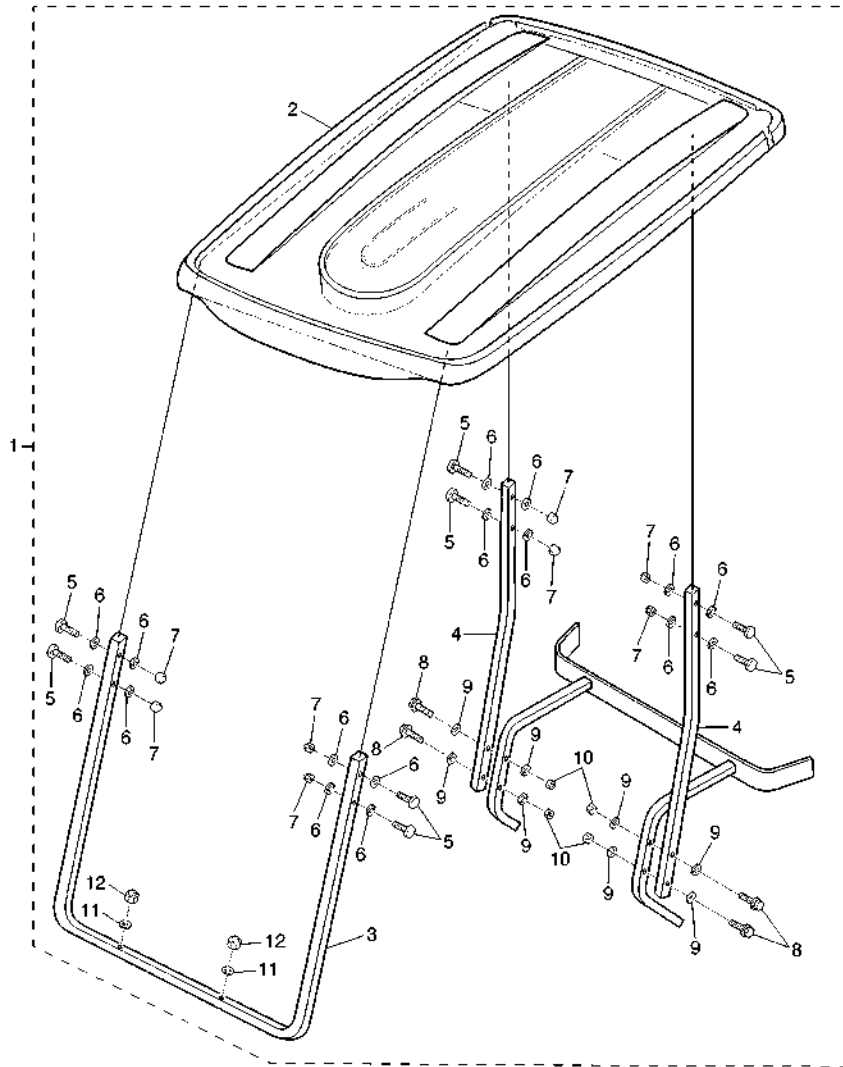
JU02100-D340

FIG. 34 ELECTRICAL 2

| REF. NO. | PART NO.     | DESCRIPTION               | JU03 |  |  |  | REMARKS |
|----------|--------------|---------------------------|------|--|--|--|---------|
| 1        | JN3-H2133-00 | SCREW, FITTING            | 2    |  |  |  |         |
| 2        | J55-H2136-00 | PLATE, BATTERY FITTING    | 1    |  |  |  |         |
| 3        | 9290P-06200  | WASHER                    | 2    |  |  |  |         |
| 4        | 95707-06500  | NUT, FLANGE               | 2    |  |  |  |         |
| 5        | JN6-H2115-01 | WIRE, PLUS LEAD           | 1    |  |  |  |         |
| 6        | JN6-H2116-01 | WIRE, MINUS LEAD          | 1    |  |  |  |         |
| 7        | JN6-H2117-10 | WIRE, LEAD                | 1    |  |  |  |         |
| 8        | JU0-H2590-00 | WIRE HARNESS ASSY         | 1    |  |  |  |         |
| 9        | JN6-H2151-00 | .FUSE (10 A)              | 1    |  |  |  |         |
| 10       | JR1-H2150-00 | .FUSE HOLDER ASSY         | 1    |  |  |  |         |
| 11       | JR3-H1950-00 | RELAY ASSY                | 1    |  |  |  |         |
| 12       | JN6-H2105-00 | WIRE HARNESS              | 1    |  |  |  |         |
| 13       | 90163-06005  | SCREW, TAPPING            | 2    |  |  |  |         |
| 14       | JF2-81910-01 | VOLTAGE REGULATOR ASSY    | 1    |  |  |  |         |
| 15       | 90105-06876  | BOLT, FLANGE              | 1    |  |  |  |         |
| 16       | JF7-82817-20 | SWITCH                    | 1    |  |  |  |         |
| 17       | 98507-05025  | SCREW, PAN HEAD           | 2    |  |  |  |         |
| 18       | 92907-05100  | WASHER, SPRING            | 2    |  |  |  |         |
| 19       | 92907-05600  | WASHER, PLATE             | 2    |  |  |  |         |
| 20       | JR1-H3383-01 | BUZZER                    | 1    |  |  |  |         |
| 21       | JN6-H3386-01 | STAY, BUZZER              | 1    |  |  |  |         |
| 22       | JG5-H2110-01 | BATTERY ASSY (GC-24, 12V) | 1    |  |  |  | LM      |
| 23       | 4U8-81950-02 | RELAY ASSY                | 1    |  |  |  |         |
| 24       | JN6-H1942-00 | COVER                     | 1    |  |  |  |         |
| 25       | 90461-16802  | CLAMP                     | 1    |  |  |  |         |
| 26       | 90464-40825  | CLAMP                     | 4    |  |  |  |         |
| 27       | 90105-06876  | BOLT, FLANGE              | 2    |  |  |  |         |





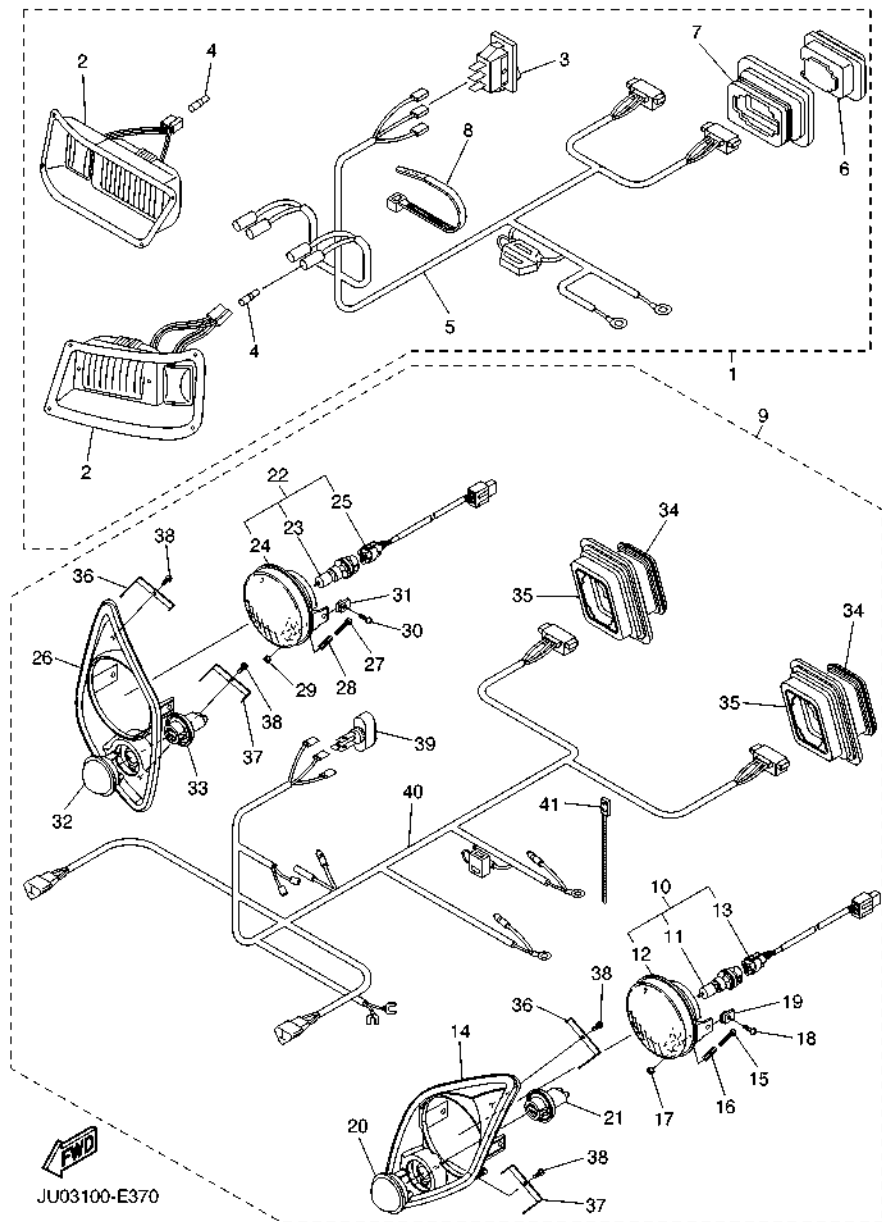


JU22100-D210

FIG. 36 ALTERNATE FOR SUN ROOF

| REF. NO. | PART NO.     | DESCRIPTION          | JU03 |  |  |  | REMARKS           |
|----------|--------------|----------------------|------|--|--|--|-------------------|
| 1        | JU0-K8310-00 | SUN ROOF ASSY        | 1    |  |  |  | IVORY             |
|          | JU0-K8310-10 | SUN ROOF ASSY        | 1    |  |  |  | MILKY BROWN       |
|          | JU0-K8310-20 | SUN ROOF ASSY        | 1    |  |  |  | MILKY BROWN(PURW) |
| 2        | JU0-K8314-00 | .COVER, SUN ROOF     | 1    |  |  |  | UR IVORY          |
|          | JU0-K8314-10 | .COVER, SUN ROOF     | 1    |  |  |  | UR MILKY BROWN    |
| 3        | JU0-K8312-01 | .SUPPORT, SUN ROOF 1 | 1    |  |  |  |                   |
|          | JU0-K8312-10 | .SUPPORT, SUN ROOF 1 | 1    |  |  |  | BLACK FOR PURW    |
| 4        | JU0-K8313-01 | .SUPPORT, SUN ROOF 2 | 2    |  |  |  |                   |
|          | JU0-K8313-10 | .SUPPORT, SUN ROOF 2 | 2    |  |  |  | BLACK FOR PURW    |
| 5        | JU0-K8388-00 | .BOLT, ROOF 1        | 8    |  |  |  |                   |
| 6        | 90201-088T2  | .WASHER, PLATE       | 16   |  |  |  |                   |
| 7        | JU0-K8398-00 | .NUT, ROOF 1         | 8    |  |  |  |                   |
| 8        | 90101-22864  | .BOLT                | 4    |  |  |  |                   |
| 9        | 90201-088J3  | .WASHER, PLATE       | 8    |  |  |  |                   |
| 10       | 90185-12835  | .NUT, SELF-LOCKING   | 4    |  |  |  |                   |
| 11       | 90201-098J4  | .WASHER, PLATE       | 2    |  |  |  |                   |
| 12       | 90176-08801  | .NUT, CROWN          | 2    |  |  |  |                   |

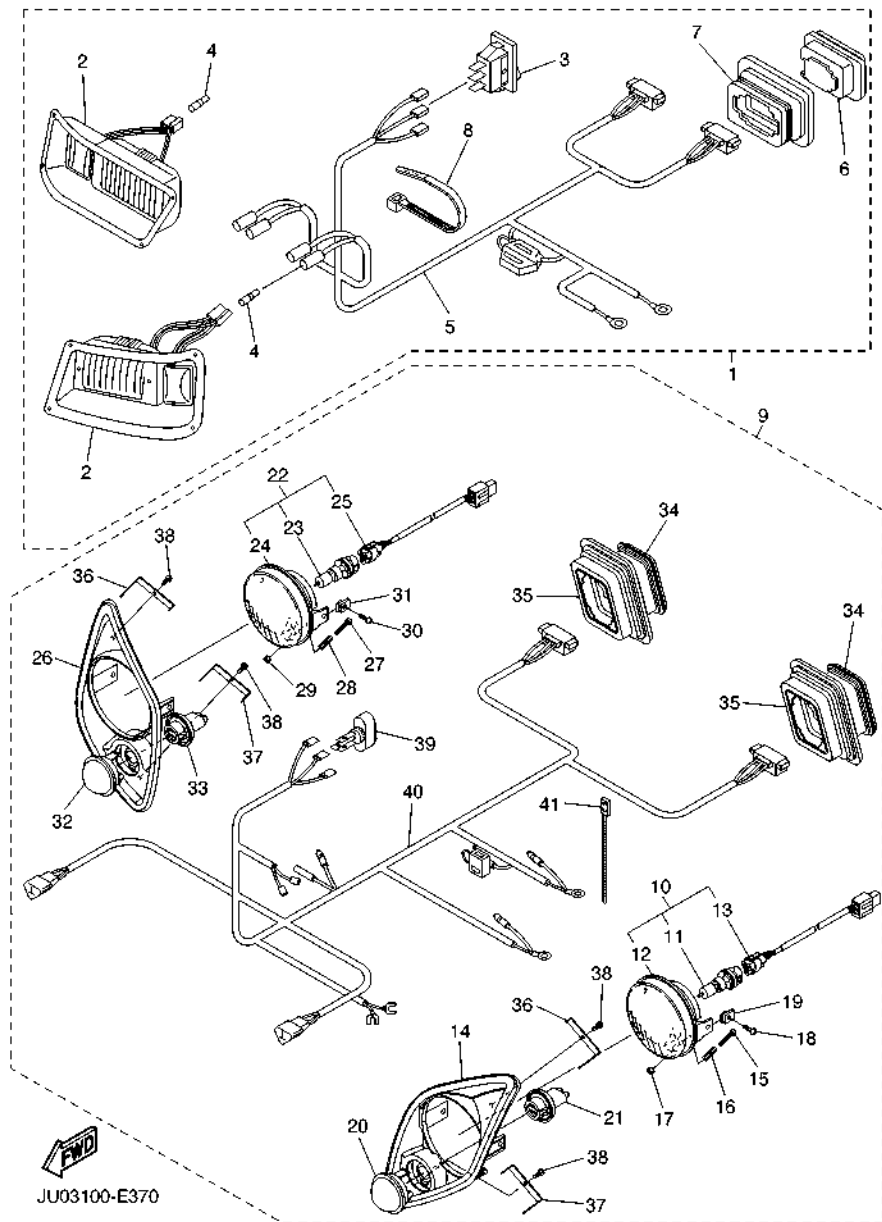
FIG. 37 ALTERNATE FOR LIGHT KIT



JU03100-E370

| REF. NO. | PART NO.     | DESCRIPTION                    | JU03 |  |  |  | REMARKS |
|----------|--------------|--------------------------------|------|--|--|--|---------|
| 1        | JN6-H430A-20 | HEADLIGHT UNIT ASSY            | 1    |  |  |  | UR      |
| 2        | JN3-H4303-20 | .HEADLIGHT UNIT ASSY           | 2    |  |  |  |         |
| 3        | JN3-H3976-20 | .SWITCH, HANDLE 1              | 1    |  |  |  |         |
| 4        | 9E212-10401  | .TERMINAL                      | 2    |  |  |  |         |
| 5        | JN6-H4159-00 | .CORD, HEADLIGHT               | 1    |  |  |  |         |
| 6        | JU5-H4700-00 | .TAILLIGHT ASSY                | 2    |  |  |  |         |
| 7        | JU5-H4718-00 | .GROMMET                       | 2    |  |  |  |         |
| 8        | *            | .WIRE TIE                      | 20   |  |  |  | LM      |
| 9        | JU0-H430A-00 | HEADLIGHT UNIT ASSY            | 1    |  |  |  | UR      |
| 10       | 5FU-H4300-10 | .HEADLIGHT ASSY                | 1    |  |  |  |         |
| 11       | 5FU-H4314-10 | ..BULB, HEADLIGHT (12V-30/30W) | 1    |  |  |  |         |
| 12       | 5FU-H4320-10 | ..LENS ASSY                    | 1    |  |  |  |         |
| 13       | 5FU-H4340-10 | ..SOCKET CORD ASSY 1           | 1    |  |  |  |         |
| 14       | JU7-H411T-02 | .HOLDER, 1                     | 1    |  |  |  |         |
| 15       | 98507-03540  | .SCREW, PAN HEAD               | 1    |  |  |  |         |
| 16       | 2GU-84332-00 | .SPRING, SCREW                 | 1    |  |  |  |         |
| 17       | 2GU-84334-00 | .NUT, ADJUSTING                | 1    |  |  |  |         |
| 18       | 90150-05802  | .SCREW, ROUND HEAD             | 2    |  |  |  |         |
| 19       | 90183-05008  | .NUT, SPRING                   | 2    |  |  |  |         |
| 20       | JU7-H5415-00 | .MARK, SIGNAL LAMP             | 1    |  |  |  |         |
| 21       | JU7-H3547-00 | .COVER, SOCKET                 | 1    |  |  |  |         |
| 22       | 5FU-H4300-10 | .HEADLIGHT ASSY                | 1    |  |  |  |         |
| 23       | 5FU-H4314-10 | ..BULB, HEADLIGHT (12V-30/30W) | 1    |  |  |  |         |
| 24       | 5FU-H4320-10 | ..LENS ASSY                    | 1    |  |  |  |         |
| 25       | 5FU-H4340-10 | ..SOCKET CORD ASSY 1           | 1    |  |  |  |         |
| 26       | JU7-H411U-02 | .HOLDER, 2                     | 1    |  |  |  |         |
| 27       | 98507-03540  | .SCREW, PAN HEAD               | 1    |  |  |  |         |

FIG. 37 ALTERNATE FOR LIGHT KIT



JU03100-E370

| REF. NO. | PART NO.     | DESCRIPTION        | JU03 |  |  |  | REMARKS |
|----------|--------------|--------------------|------|--|--|--|---------|
| 28       | 2GU-84332-00 | .SPRING, SCREW     | 1    |  |  |  |         |
| 29       | 2GU-84334-00 | .NUT, ADJUSTING    | 1    |  |  |  |         |
| 30       | 90150-05802  | .SCREW, ROUND HEAD | 2    |  |  |  |         |
| 31       | 90183-05008  | .NUT, SPRING       | 2    |  |  |  |         |
| 32       | JU7-H5415-00 | .MARK, SIGNAL LAMP | 1    |  |  |  |         |
| 33       | JU7-H3547-00 | .COVER, SOCKET     | 1    |  |  |  |         |
| 34       | JU5-H4700-00 | .TAILLIGHT ASSY    | 2    |  |  |  |         |
| 35       | JU5-H4718-00 | .GROMMET           | 2    |  |  |  |         |
| 36       | JU7-H4118-01 | .STAY, HEADLIGHT 1 | 2    |  |  |  |         |
| 37       | JU7-H4119-01 | .STAY, HEADLIGHT 2 | 2    |  |  |  |         |
| 38       | 97707-40112  | .SCREW, TAPPING    | 4    |  |  |  |         |
| 39       | JU0-H3976-00 | .SWITCH, HANDLE 1  | 1    |  |  |  |         |
| 40       | JU0-H4159-01 | .CORD, HEADLIGHT   | 1    |  |  |  |         |
| 41       | 90464-14806  | .CLAMP             | 20   |  |  |  |         |

NUMERICAL INDEX

| PART NO.        | GRID NO. | PART NO.        | GRID NO. | PART NO.     | GRID NO. | PART NO.     | GRID NO. | PART NO.     | GRID NO. | PART NO.     | GRID NO. |
|-----------------|----------|-----------------|----------|--------------|----------|--------------|----------|--------------|----------|--------------|----------|
| JT0-11111-00    | B - 3    | 7E1-14191-00    | B - 8    | J38-78367-00 | D - 10   | JN6-F3394-00 | C - 4    | JU0-F582M-00 | C - 2    | JN3-G6326-00 | C - 14   |
| JN6-11116-00    | B - 3    | 1KT-14197-01    | B - 8    | J10-81129-10 | D - 13   | JU0-F339Y-00 | C - 2    | JU0-F620A-00 | C - 2    | JN3-G6327-00 | C - 14   |
| JN6-11133-10    | B - 3    | 127-14198-00    | B - 8    | J10-81145-10 | D - 13   | JU0-F3400-00 | C - 2    | JU0-F6311-00 | C - 9    | JN3-G633E-01 | C - 13   |
| JR7-11163-00    | B - 3    | 7NJ-14211-00    | B - 8    | J10-81146-10 | D - 13   | JU0-F3511-00 | B - 14   | JU0-F6312-00 | B - 7    | JN3-G633G-00 | C - 13   |
| JN6-11168-00    | B - 3    | 73A-14212-00    | B - 8    | J10-81147-10 | D - 13   | JU0-F3512-02 | B - 14   | JU0-F6331-00 | B - 7    | JN3-G6344-00 | C - 14   |
| JN6-11169-00    | B - 3    | 73A-14212-10    | B - 8    | J10-81148-10 | D - 13   | JU0-F3521-00 | B - 14   | JU0-F6333-00 | B - 7    | JN3-G6344-10 | C - 15   |
| JT0-11181-00    | B - 3    | J10-14227-00    | B - 8    | J10-81159-10 | D - 13   | JU0-F3570-20 | B - 14   | JU0-F6341-10 | C - 6    | JN3-G6344-20 | C - 15   |
| JN6-11191-01    | B - 3    | 3G2-1423A-67    | B - 8    | J10-81166-10 | D - 13   | JU0-F3811-00 | C - 2    | JU0-F6351-10 | C - 6    | JN3-G6344-30 | C - 15   |
| JN6-11193-00    | B - 3    | 3G2-1423A-68-A0 | B - 8    | JF2-81910-01 | E - 2    | JN3-F3814-00 | C - 2    | JN6-F722E-00 | C - 7    | JN3-G6344-40 | C - 15   |
| 812-11198-00    | B - 10   | 3G2-1423E-33-A0 | B - 8    | 4U8-81950-02 | E - 2    | JU0-F3822-00 | C - 3    | JN6-F722F-00 | C - 8    | JN3-G6344-50 | C - 15   |
| JN6-11400-00    | B - 4    | JN6-14291-00    | B - 8    | JN6-82318-00 | D - 15   | JU0-F3828-00 | C - 2    | JU0-F722H-00 | C - 13   | JN3-G6344-60 | C - 15   |
| JN6-11454-00    | B - 4    | 7KY-14613-01    | B - 9    | JT0-8231Y-00 | D - 15   | JU0-F3833-00 | C - 2    | JU0-F723F-00 | C - 13   | JN3-G6344-70 | C - 15   |
| JR7-11610-00    | B - 4    | 1WG-14922-00    | B - 8    | JN6-82370-00 | D - 15   | JU0-F3834-00 | C - 2    | JN3-F7245-00 | C - 6    | JN3-G6344-80 | C - 15   |
| JR7-11610-10    | B - 4    | JN6-1495H-3B    | B - 8    | JE8-82372-00 | D - 15   | JU0-F3837-00 | C - 2    | JN6-F7280-03 | C - 8    | JN3-G6344-90 | C - 15   |
| JR7-11610-20    | B - 4    | JR7-15100-00    | B - 10   | JN3-82617-01 | D - 3    | JN3-F3838-00 | C - 2    |              | C - 14   | JN3-G6344-A0 | C - 15   |
| JR7-11631-00-A0 | B - 4    | JR7-15123-00    | B - 10   | JF7-82817-20 | E - 2    | JU0-F3841-00 | C - 3    | JN6-F7286-00 | C - 7    | JN3-G6344-B0 | C - 15   |
| 583-11633-00    | B - 4    | JN6-15155-00    | B - 10   | 123-83516-21 | E - 3    | JU0-F3844-00 | C - 2    |              | C - 8    | JN3-G6344-C0 | C - 15   |
| JR7-11635-00    | B - 4    | J38-15361-00    | B - 10   | JN6-83530-00 | E - 3    | JU0-F3848-00 | C - 2    | JN6-F7290-03 | C - 7    | JN3-G6344-D0 | C - 15   |
| JR7-11636-00    | B - 4    | JT0-15362-00    | D - 15   | 2GU-84332-00 | E - 6    | JU0-F3857-10 | C - 2    |              | C - 14   | JN3-G6355-00 | C - 13   |
| JN6-11650-00    | B - 4    | 796-15363-01    | B - 10   | 2GU-84334-00 | E - 6    | JU0-F387A-00 | C - 2    | JN6-F7874-01 | C - 9    | JN3-G6356-00 | C - 14   |
| JN6-11654-00    | B - 4    | JR7-15407-00    | B - 10   | JN6-85640-01 | D - 15   | JU0-F387E-00 | C - 2    | JN6-F819G-00 | C - 7    | JN3-G6371-00 | D - 3    |
| JN6-12111-01    | B - 5    | JN6-15411-01    | B - 10   | JR7-85650-00 | D - 15   | JU0-F387F-00 | C - 2    |              | C - 8    | JN3-G6372-00 | D - 3    |
| J38-12117-01    | B - 5    | JN6-15451-02    | B - 10   | JT0-85720-00 | D - 15   | JU0-F387G-00 | C - 2    | JH7-G5619-00 | C - 15   | JN3-G6376-00 | D - 3    |
| J38-12118-00    | B - 5    | JR6-19001-00    | B - 2    | JT0-85724-00 | D - 15   | JU0-F387J-00 | C - 2    | JN3-G6153-00 | C - 14   | JU0-G6376-00 | C - 14   |
| 4G0-12119-00    | B - 5    | JT0-21481-00    | B - 11   | JN6-E1166-00 | B - 3    | JU0-F387K-00 | C - 2    | JU0-G6164-00 | C - 15   | JN3-G6381-00 | D - 3    |
| 7RH-12121-00    | B - 5    | JU0-2179R-00    | B - 6    | JN6-E2691-00 | B - 6    | JU0-F4111-01 | C - 4    | JN6-G6201-04 | C - 11   | J55-G6383-00 | D - 3    |
| JN6-12151-00    | B - 5    | 401-22128-01    | B - 14   | JU0-E3586-00 | B - 7    | JU0-F4161-00 | D - 5    | JN6-G6210-00 | C - 11   | JN3-G638A-00 | C - 14   |
| JN6-12153-00    | B - 5    | J55-2252M-00    | C - 6    | JU0-E4411-00 | B - 7    | JU0-F4300-10 | C - 4    | JN6-G621F-00 | C - 11   | JN6-G638E-00 | C - 14   |
| JR7-12154-01    | B - 5    | 2NL-23448-00    | B - 14   | JU0-E4412-00 | B - 7    | JN6-F4311-30 | C - 4    | JN6-G6220-00 | C - 11   | JN6-G6410-00 | C - 13   |
| J38-12156-00    | B - 5    | 2NL-23517-00    | B - 14   | 5UH-E4424-00 | B - 7    | JN6-F4312-30 | C - 4    | JU0-G6231-00 | C - 11   | JN3-G6432-00 | C - 13   |
| 22F-12159-00    | B - 5    | 2HR-23526-00    | B - 14   | JU0-E4450-00 | B - 7    | JN6-F4313-30 | C - 4    | JN6-G6232-01 | C - 11   | JN3-G6511-00 | C - 13   |
| JR7-12170-00    | B - 5    | J17-25666-02    | C - 5    | JU0-E445E-00 | B - 7    | JN6-F4314-21 | C - 4    | J55-G6241-00 | C - 11   | JN3-G6512-00 | C - 13   |
| JN6-12616-00    | B - 6    | JU0-25671-00    | C - 5    | JU0-E4710-10 | B - 9    | JU5-F4375-00 | C - 4    | JN6-G6249-00 | C - 11   | JN3-G6514-00 | C - 14   |
| JN6-12621-02    | B - 6    | J17-25672-01    | C - 5    | JN6-E7688-00 | C - 12   | JN6-F4410-11 | C - 4    | JN6-G6251-01 | C - 11   | JU0-G6521-00 | D - 2    |
| JN6-12651-00    | B - 6    | J17-25673-00    | C - 5    | JU0-F1338-00 | C - 2    | JN6-F4560-00 | C - 4    | JN6-G6253-00 | C - 11   | JN6-G6555-00 | C - 13   |
| JN6-12652-00    | B - 6    | JU0-27211-01    | C - 5    | JU0-F1436-00 | B - 9    | JN6-F4610-00 | C - 4    | JN6-G6258-02 | C - 11   | JN3-G6556-00 | C - 14   |
| JR7-12658-00    | B - 6    | J17-27221-00    | C - 5    | JU0-F1781-00 | D - 8    | JU0-F5100-00 | B - 15   | JN6-G6260-00 | C - 12   | JN3-G8330-00 | D - 3    |
| JN6-13567-00    | B - 7    | J17-27228-00    | C - 5    | JU0-F2110-10 | B - 12   |              | D - 2    | JN6-G6270-01 | C - 12   | JN6-H1100-03 | D - 13   |
| JN6-13595-00    | B - 7    | J17-27231-03    | C - 5    | JN6-F2123-10 | B - 12   | JN6-F5100-11 | B - 15   | JN6-G6280-00 | C - 12   | JN6-H1110-10 | D - 13   |
| JR6-14101-00    | B - 8    | J17-27232-00    | C - 5    | JN6-F2124-10 | B - 12   |              | D - 2    | JU0-G6290-00 | C - 15   | JF2-H1111-00 | D - 13   |
| 7LV-14118-00    | B - 8    | J17-27246-00    | C - 6    | JN6-F217G-00 | B - 12   | JN6-F5100-30 | B - 15   | JU0-G6297-00 | C - 11   | JN6-H1113-00 | D - 13   |
| 732-14142-65-A0 | B - 8    | J46-27250-03    | C - 5    | JN4-F2210-00 | B - 12   |              | D - 2    | JU0-G6300-11 | C - 13   | J10-H1115-10 | D - 13   |
| 73A-1414G-00    | B - 8    | J17-27853-01    | C - 9    | JU0-F2501-00 | B - 13   | JN6-F5118-00 | B - 15   | JN3-G6313-00 | C - 13   | JN6-H1119-00 | D - 13   |
| JN5-14150-00    | B - 8    | J10-27871-01    | C - 9    | JU0-F254R-00 | B - 13   |              | D - 2    | JN3-G6314-00 | C - 13   | J10-H1139-10 | D - 13   |
| 7R1-14162-00    | B - 8    | J38-27872-00    | C - 9    | JU0-F2567-00 | B - 13   | JN6-F5331-01 | C - 7    | JN3-G6316-00 | C - 14   | JN3-H1150-00 | D - 13   |
| 796-14184-00    | B - 8    | J38-27951-00    | C - 10   | JU0-F3183-00 | C - 2    | JN6-F5341-01 | C - 8    | JN3-G6319-00 | C - 15   | JN6-H1160-10 | D - 13   |
| JN6-14185-00    | B - 8    | J38-27959-00    | C - 10   | JU0-F3350-20 | B - 14   | JN6-F5681-00 | C - 6    | JU0-G631A-00 | C - 13   | JN6-H1161-00 | D - 14   |
| 22F-14186-00    | B - 8    | JF2-46382-00    | D - 3    | JU0-F3390-20 | B - 14   | JN6-F5685-00 | C - 6    | JN3-G6320-01 | C - 13   | JN6-H1165-00 | D - 13   |

NUMERICAL INDEX

| PART NO.     | GRID NO. | PART NO.     | GRID NO. | PART NO.     | GRID NO. | PART NO.     | GRID NO. | PART NO.    | GRID NO. | PART NO.    | GRID NO. |
|--------------|----------|--------------|----------|--------------|----------|--------------|----------|-------------|----------|-------------|----------|
| JN6-H1170-00 | D - 15   | JU0-K7222-01 | E - 4    | JU0-K8251-00 | D - 8    | JU0-K8423-00 | D - 11   | 90163-06005 | E - 2    | 90207-05800 | E - 3    |
| JN6-H1171-10 | D - 15   | JU0-K7458-00 | E - 4    | JU0-K8252-00 | D - 8    | JN3-K8425-00 | D - 7    | 90167-04815 | D - 11   | 90209-32832 | B - 15   |
| JN6-H1173-00 | D - 15   | JN3-K7510-10 | D - 4    | JU0-K8261-00 | D - 5    | JN3-K8426-01 | D - 11   | 90170-05302 | B - 5    | 90249-14129 | C - 6    |
| JN3-H1661-00 | D - 14   | JN6-K7540-10 | D - 4    | JF2-K8262-01 | D - 5    | JF2-K8427-00 | D - 11   | 90170-08841 | C - 14   | 90267-48086 | D - 9    |
| JN6-H1942-00 | E - 2    | JU0-K7573-00 | D - 5    | JF2-K8263-01 | D - 5    | JN3-K842A-00 | D - 7    | 90170-10840 | C - 13   | 90267-48154 | D - 9    |
| JR3-H1950-00 | E - 2    | JN3-K7741-00 | D - 7    | JN6-K8264-10 | D - 5    | JN3-K842H-00 | D - 11   | 90176-08801 | E - 5    | 90267-48831 | D - 9    |
| JN6-H2105-00 | E - 2    | JU0-K7762-00 | C - 3    | JN6-K8265-10 | D - 5    | JG5-WF511-10 | B - 14   | 90179-07564 | C - 5    | 90267-489U9 | E - 3    |
| JG5-H2110-01 | E - 2    | JU0-K7762-10 | C - 3    | JN6-K8271-00 | D - 9    | 90101-06478  | D - 15   | 90179-08879 | B - 9    | 90267-63047 | D - 6    |
| JN6-H2115-01 | E - 2    | JU0-K7762-20 | C - 3    | JN3-K8273-10 | D - 5    | 90101-06865  | D - 10   | 90179-08894 | C - 6    |             | D - 8    |
| JN6-H2116-01 | E - 2    | JN3-K7768-01 | D - 5    | JN3-K8297-10 | D - 8    | 90101-06876  | D - 7    | 90179-12262 | B - 15   | 90269-06804 | D - 7    |
| JN6-H2117-10 | E - 2    | JN3-K7768-11 | D - 5    | JN3-K8299-10 | D - 8    | 90101-08855  | C - 14   |             | D - 2    | 90269-07810 | D - 7    |
| JN3-H2133-00 | E - 2    | JN3-K7768-21 | D - 5    | JU0-K8310-00 | E - 5    | 90101-08856  | C - 13   | 90179-13878 | B - 12   | 90269-08066 | D - 5    |
| J55-H2136-00 | E - 2    | JF2-K8114-03 | D - 5    | JU0-K8310-10 | E - 5    | 90101-10854  | C - 13   | 90183-05008 | E - 6    | 90269-08813 | B - 6    |
| JR1-H2150-00 | E - 2    | JU0-K8115-00 | D - 5    | JU0-K8310-20 | E - 5    | 90101-10884  | C - 6    | 90183-06811 | D - 7    |             | D - 7    |
| JN6-H2151-00 | E - 2    | JU0-K8115-30 | D - 5    | JU0-K8312-01 | E - 5    | 90101-22864  | E - 5    | 90185-06834 | C - 11   | 90280-04052 | D - 15   |
| JN6-H2377-00 | D - 8    | JU0-K8115-50 | D - 5    | JU0-K8312-10 | E - 5    | 90105-06861  | C - 11   | 90185-06836 | D - 5    | 90280-05022 | C - 12   |
| JU2-H2510-10 | E - 3    | JU0-K8115-60 | D - 5    | JU0-K8313-01 | E - 5    | 90105-06862  | B - 7    |             | D - 10   | 90338-04840 | C - 11   |
| JU2-H2510-20 | E - 3    | JU0-K8115-80 | D - 5    | JU0-K8313-10 | E - 5    | 90105-06876  | D - 3    | 90185-08832 | D - 10   | 90338-05829 | D - 9    |
| JU2-H2511-00 | E - 3    | JU0-K8115-90 | D - 5    | JU0-K8314-00 | E - 5    |              | D - 4    | 90185-08841 | B - 9    | 90338-05834 | D - 7    |
| 5UG-H2579-00 | E - 3    | JF2-K811V-00 | D - 5    | JU0-K8314-10 | E - 5    |              | E - 2    | 90185-12061 | C - 2    | 90338-09828 | D - 12   |
| JU0-H2590-00 | E - 2    | JN6-K8121-00 | D - 11   | JN3-K832F-00 | B - 13   | 90105-06903  | D - 11   | 90185-12835 | E - 5    | 90340-12097 | B - 10   |
| JR1-H3383-01 | E - 2    | JN6-K8122-02 | D - 11   | JN6-K8340-00 | D - 10   | 90105-08859  | C - 13   | 90185-16833 | C - 14   | 90381-17067 | B - 14   |
| JN6-H3386-01 | E - 2    | JN6-K8142-02 | D - 7    | JU0-K834A-00 | B - 13   | 90105-08871  | D - 12   | 90201-048R5 | C - 3    | 90381-18001 | B - 14   |
| JU7-H3547-00 | E - 6    | JU0-K8142-32 | D - 7    | JN6-K8355-00 | D - 10   | 90105-08878  | C - 4    | 90201-06829 | D - 5    | 90384-10162 | C - 5    |
| JU0-H3976-00 | E - 7    | JN6-K8142-52 | D - 7    | JF2-K8356-00 | D - 10   |              | C - 6    | 90201-068G0 | D - 11   | 90384-14080 | C - 5    |
| JN3-H3976-20 | E - 6    | JU0-K8142-62 | D - 7    | JN3-K8357-00 | C - 3    |              | C - 9    | 90201-068G6 | D - 11   |             | C - 9    |
| JU7-H4118-01 | E - 7    | JU0-K8142-82 | D - 7    | JN6-K8358-01 | C - 3    | 90105-10064  | B - 14   | 90201-068G7 | D - 7    | 90384-27823 | C - 11   |
| JU7-H4119-01 | E - 7    | JU0-K8142-90 | D - 7    | JN6-K835E-00 | D - 5    | 90105-10728  | B - 14   | 90201-068H0 | D - 7    | 90386-08141 | C - 10   |
| JU7-H411T-02 | E - 6    | JU0-K8151-00 | D - 7    | JN3-K835G-00 | D - 5    | 90105-10810  | C - 3    | 90201-088J3 | E - 5    | 90387-046N7 | C - 3    |
| JU7-H411U-02 | E - 6    | JN3-K815G-00 | D - 5    | JN6-K8361-00 | D - 11   | 90105-10840  | C - 13   | 90201-088R9 | D - 10   | 90387-068T4 | C - 9    |
| JN6-H4159-00 | E - 6    | JU0-K8164-00 | D - 4    | JU0-K8362-00 | D - 11   | 90105-10881  | D - 4    | 90201-088S2 | C - 4    | 90387-08013 | C - 5    |
| JU0-H4159-01 | E - 7    | JN3-K8174-00 | D - 4    | JN3-K8363-00 | D - 7    | 90105-10890  | B - 14   | 90201-088T2 | E - 5    | 90387-08014 | C - 5    |
| 5FU-H4300-10 | E - 6    | JN6-K8182-00 | D - 6    | JN6-K8380-00 | D - 10   | 90105-13864  | B - 12   | 90201-098J4 | D - 11   | 90387-107F8 | C - 6    |
| JN3-H4303-20 | E - 6    | JF2-K8187-00 | D - 9    | JU0-K8382-00 | E - 4    | 90106-08806  | C - 9    |             | E - 5    | 90387-12009 | C - 5    |
| JU0-H430A-00 | E - 6    | JF2-K8189-00 | D - 9    | JU0-K8388-00 | E - 5    | 90109-06860  | C - 11   | 90201-104G8 | C - 6    | 90387-12016 | B - 14   |
| JN6-H430A-20 | E - 6    | JU0-K818A-00 | D - 9    | JU0-K838A-10 | E - 4    | 90109-08875  | D - 15   | 90201-11800 | B - 13   | 90387-241M7 | B - 14   |
| 5FU-H4314-10 | E - 6    | JU0-K818B-00 | D - 9    | JU0-K838A-20 | E - 4    | 90110-04834  | C - 12   | 90201-128S4 | B - 12   | 90461-16802 | E - 2    |
| 5FU-H4320-10 | E - 6    | JF2-K8191-01 | D - 9    | JU0-K838B-00 | E - 4    | 90110-06837  | D - 7    | 90201-128S5 | C - 12   | 90464-09823 | D - 15   |
| 5FU-H4340-10 | E - 6    | JF2-K8192-01 | D - 9    | JU0-K8398-00 | E - 5    | 90111-06810  | D - 11   | 90201-178H8 | C - 14   | 90464-11816 | C - 4    |
| JU5-H4700-00 | E - 6    | JF2-K8215-10 | D - 9    | JU0-K8401-00 | D - 11   | 90111-08803  | D - 10   | 90201-18620 | D - 15   | 90464-12836 | C - 4    |
| JU5-H4718-00 | E - 6    | JF2-K821F-10 | D - 9    | JN6-K8401-10 | D - 11   | 90114-12800  | B - 14   | 90201-198S7 | D - 3    | 90464-14806 | E - 7    |
| JU7-H5415-00 | E - 6    | JN6-K8231-01 | D - 8    | JN3-K8402-00 | D - 11   | 90114-12804  | C - 14   | 90201-208H9 | C - 14   | 90464-19815 | C - 6    |
| JU0-K7171-00 | E - 4    | JN6-K8232-01 | D - 7    | JU0-K8402-00 | D - 11   | 90119-06838  | B - 7    | 90201-208J0 | C - 14   |             | D - 3    |
| JU0-K7173-00 | E - 4    | JN6-K8233-01 | D - 8    | JU0-K8404-00 | D - 11   | 90119-08820  | D - 11   | 90201-208S8 | D - 3    | 90464-40825 | C - 9    |
| JU0-K7200-03 | E - 4    | JF2-K8237-00 | D - 7    | JN6-K8404-10 | D - 11   | 90119-08825  | B - 9    | 90201-228K5 | C - 11   |             | E - 2    |
| JU0-K7200-13 | E - 4    | JN3-K8243-10 | D - 7    | JN3-K8413-00 | D - 11   | 90150-05802  | E - 6    | 90202-12807 | C - 14   | 90465-06038 | D - 3    |
| JU0-K7200-22 | E - 4    | JN3-K8244-10 | D - 7    | JN3-K841G-09 | D - 11   | 90159-06107  | B - 10   | 90202-20130 | C - 12   | 90467-10846 | C - 4    |
| JU0-K7200-32 | E - 4    | JN6-K824E-00 | D - 7    | JU0-K841G-09 | D - 11   | 90159-06845  | D - 10   | 90204-06807 | D - 11   | 90467-11090 | C - 4    |

NUMERICAL INDEX

| PART NO.    | GRID NO. | PART NO.    | GRID NO. | PART NO.    | GRID NO. | PART NO.    | GRID NO. | PART NO. | GRID NO. | PART NO. | GRID NO. |
|-------------|----------|-------------|----------|-------------|----------|-------------|----------|----------|----------|----------|----------|
| 90467-12845 | C - 4    | 93101-24822 | C - 13   | 95607-12200 | C - 12   | 98507-05025 | E - 2    |          |          |          |          |
| 90467-13847 | B - 3    | 93101-28831 | C - 11   | 95607-14100 | B - 15   | 9850N-04010 | D - 13   |          |          |          |          |
| 90468-10049 | B - 7    | 93102-25868 | C - 13   | 9560P-06200 | C - 10   | 9850N-05016 | D - 13   |          |          |          |          |
|             | C - 9    | 93102-30083 | B - 14   |             | D - 5    | 9850N-05018 | D - 14   |          |          |          |          |
| 90480-25856 | B - 13   | 93102-35014 | B - 10   | 9560P-08200 | D - 11   | 99001-07600 | B - 7    |          |          |          |          |
| 90501-264A9 | B - 5    | 93104-11829 | C - 14   | 9560P-10200 | B - 11   |             | C - 5    |          |          |          |          |
| 90502-10013 | C - 3    | 93109-10820 | C - 14   | 9560P-12200 | B - 12   | 99001-09600 | C - 6    |          |          |          |          |
| 90506-09001 | C - 5    | 93109-20069 | C - 12   | 9561P-12100 | B - 14   | 99002-04600 | C - 5    |          |          |          |          |
| 90506-26282 | C - 9    | 93210-132A8 | C - 6    | 95627-08618 | B - 3    | 99009-19400 | D - 3    |          |          |          |          |
| 90508-14548 | C - 5    | 93210-14104 | C - 9    | 95707-06500 | C - 9    | 99530-08016 | B - 10   |          |          |          |          |
| 90508-16460 | C - 9    | 93210-15414 | D - 15   |             | E - 2    | 99530-14016 | B - 3    |          |          |          |          |
| 90508-32015 | C - 6    | 93210-22344 | B - 10   | 95707-08500 | B - 7    | 9E212-10401 | E - 6    |          |          |          |          |
| 90508-40007 | C - 6    | 93210-398D6 | B - 7    |             | C - 9    |             |          |          |          |          |          |
| 90508-40678 | C - 10   | 93306-004X5 | C - 14   |             | D - 2    |             |          |          |          |          |          |
| 90508-45844 | C - 12   | 93306-005Y3 | B - 14   |             | D - 15   |             |          |          |          |          |          |
| 90560-05001 | C - 9    | 93306-005Y4 | C - 13   | 9572R-06300 | D - 7    |             |          |          |          |          |          |
| 90560-08251 | C - 4    | 93306-007Y0 | C - 13   | 95807-06020 | B - 6    |             |          |          |          |          |          |
| 91401-20012 | D - 3    | 93306-20201 | B - 10   | 95807-06025 | C - 9    |             |          |          |          |          |          |
| 91401-25020 | B - 14   | 93306-20226 | D - 13   | 95807-08016 | B - 13   |             |          |          |          |          |          |
|             | C - 2    | 93306-204X0 | B - 14   | 95807-10055 | B - 12   |             |          |          |          |          |          |
| 91490-25015 | C - 6    | 93306-20714 | B - 10   | 95807-10065 | B - 14   |             |          |          |          |          |          |
| 91490-25025 | C - 13   | 93306-30317 | D - 13   | 95817-08045 | B - 10   |             |          |          |          |          |          |
| 91490-30015 | C - 6    | 93306-303Y6 | C - 13   | 95817-10050 | B - 10   |             |          |          |          |          |          |
| 91609-35028 | C - 9    | 93306-30709 | B - 10   | 95817-10070 | B - 3    |             |          |          |          |          |          |
| 91609-60028 | C - 9    | 93410-12822 | C - 14   | 95817-12080 | B - 14   |             |          |          |          |          |          |
| 91701-05010 | B - 7    | 93410-25017 | C - 15   | 9581P-08012 | D - 4    |             |          |          |          |          |          |
| 91701-05014 | C - 9    | 93420-44805 | C - 13   | 9581P-08016 | C - 2    |             |          |          |          |          |          |
| 91701-06014 | D - 3    | 93440-20813 | C - 14   | 9581P-08075 | D - 2    |             |          |          |          |          |          |
| 91701-08018 | C - 6    | 93450-21053 | B - 4    | 9581P-12025 | D - 15   |             |          |          |          |          |          |
| 91701-08026 | C - 6    | 93606-10842 | C - 14   | 9581P-12065 | B - 12   |             |          |          |          |          |          |
| 91701-10022 | C - 6    | 93610-358A3 | C - 11   | 95827-06012 | D - 15   |             |          |          |          |          |          |
| 92902-04100 | B - 8    | 93700-06809 | C - 12   | 95827-06025 | D - 15   |             |          |          |          |          |          |
| 92907-04100 | D - 3    | 93700-06810 | C - 11   | 95827-06030 | B - 3    |             |          |          |          |          |          |
| 92907-04600 | D - 3    | 94702-00343 | B - 3    | 9582P-08020 | D - 15   |             |          |          |          |          |          |
| 92907-05100 | E - 2    | 94702-00348 | B - 3    | 95880-06025 | D - 11   |             |          |          |          |          |          |
| 92907-05600 | C - 5    | 95307-06600 | C - 10   | 97017-08030 | C - 3    |             |          |          |          |          |          |
|             | E - 2    |             | D - 15   | 97027-06035 | C - 5    |             |          |          |          |          |          |
| 92907-08200 | C - 5    | 95307-06700 | C - 5    | 97027-08100 | C - 5    |             |          |          |          |          |          |
| 92907-08600 | C - 3    | 95307-08600 | C - 5    | 9751P-10620 | B - 12   |             |          |          |          |          |          |
| 92907-10600 | C - 5    | 95307-08700 | C - 6    |             | D - 2    |             |          |          |          |          |          |
| 9290N-06100 | D - 13   | 95307-18600 | D - 15   | 97707-40112 | E - 7    |             |          |          |          |          |          |
| 9290N-06600 | D - 13   | 9530N-06600 | D - 13   | 97707-40525 | C - 3    |             |          |          |          |          |          |
| 9290P-06200 | E - 2    | 95607-08100 | D - 3    | 97707-60520 | B - 6    |             |          |          |          |          |          |
| 9290P-06600 | D - 3    | 95607-08710 | B - 3    | 9770P-60130 | D - 5    |             |          |          |          |          |          |
| 9290P-10200 | B - 11   | 95607-10200 | B - 12   | 98507-03540 | E - 6    |             |          |          |          |          |          |
| 9290P-12200 | C - 2    |             | B - 14   | 98507-04010 | B - 8    |             |          |          |          |          |          |
| 92990-05100 | B - 8    |             | C - 6    | 98507-04016 | D - 3    |             |          |          |          |          |          |
| 9299R-06200 | D - 10   | 95607-12200 | C - 2    | 98507-05008 | B - 8    |             |          |          |          |          |          |