



PARTS CATALOGUE

DR2A17 EFI (J0B1) U.S.A.



NEWS No.	DATE	COMMENT
PE0-GC-160004	Nov..28,2016	COR:FIG.30/31 SEAT LIST&ILLUST CORRECTION
PE0-GC-170004	Sep..29,2017	COR:FIG.21/23/35/37 ALTERNATE FOR SUN ROOF ILLUSTRATION CORRECTION
PE0-GC-170009	Dec..28,2017	COR:FIG.15/21/23/35/36/37 LIST&ILLUSTRATION CORRECTION

1SJ0B-110E1

()

DR2A17 EFI
PARTS CATALOGUE
©2016 by Yamaha Motor Co., Ltd.
1st edition, August 2016
All rights reserved.
Any reprinting or unauthorized use
without the written permission of
Yamaha Motor Co., Ltd.
is expressly prohibited.
Printed in Japan.

FOREWORD

This Parts Catalogue is related to the parts for the model(s) on the cover page. When you are ordering replacement parts, please refer to this Parts Catalogue and quote both part numbers and part names correctly.

1. Modifications or additions which have been made after the issue of the Parts Catalogue will be announced in the Parts News.
It is advisable that you make the necessary corrections to the Parts Catalogue according to the Parts News.

2. Abbreviations

The following abbreviations are used in this Parts Catalogue.

“UR” Use specified parts number.

“UN” Use as many as needed.

“AP” Alternate Parts

“LM” Locally Made (Parts need to be ordered locally)

“F#” Frame No. (Applicable machine No.)

“O/S” Over Size

3. The number of components for assembly

- Parts, which are to be supplied in an assembly, are listed with a dot (.) in front of the part name as shown below.
- The numeral appearing to the right of each component part indicates the quantity of parts for each assembly unit.

PART NO.	DESCRIPTION	Q'TY	REMARKS
2F5-83310-60	FRONT FLASHER LIGHT ASSY	2	
115-83311-60	.BULB (6V-18W)	1	

4. Applicable colours of graphics are represented in the “REMARKS” as shown below.

PART NO.	DESCRIPTION	Q'TY	REMARKS
2N4-24110-00-X5	FUEL TANK COMP.	2	MXR
3J1-24240-10	.GRAPHIC, FUEL TANK	1	FOR MXR

5. Note that the illustrations for reference in finding parts numbers are not to be used for assembling. When assembling, please use the applicable service manual.

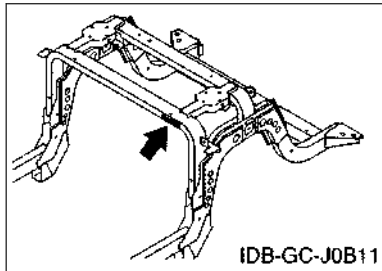
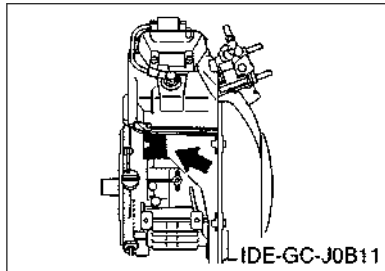
6. The asterisk (*) before a reference number indicates modified items after the first edition.

FOREWORD

7. Applicable Serial No.

Engine Serial No.

Frame Serial No.



10. Applicable Starting Serial No.

Frame Serial No.

Serial No.	Name Of Q'ty Column	Model Code
J0B-000101	J0B1	J0B1

8. Applicable Colour Code (The (*) mark shows Model colour.)

Abbreviation	Colour Name	Colour Code
BW1(*)	BLUISH WHITE 1	1571
DNBME(*)	DARK GRAYISH BLUE METALLIC E	0866
DNMC(*)	DARK GRAY METALLIC C	0922
DYNM2(*)	DARK YELLOWISH GRAY METALLIC 2	1509
HTR(*)	HEAT RED	00EY
LNMP(*)	LIGHT GRAY METALLIC P	0925
LN YM8(*)	LIGHT GRAYISH YELLOW ME 8	1047
NYS4(*)	GRAYISH YELLOW SOLID 4	1459
VDGS1(*)	VERY DARK GREEN SOLID 1	0614

9. Quantity Column Information

Column No.	Name Of Q'ty Column	Destination
1	J0B1	U.S.A.

CONTENTS

ENGINE 1.....	1
ENGINE	
CYLINDER HEAD.....	2
CRANKSHAFT & PISTON.....	3
CAMSHAFT & VALVE.....	4
AIR SHROUD & FAN.....	5
INTAKE 1.....	6
INTAKE 2.....	7
EXHAUST.....	8
CRANKCASE.....	9
BODY	
ENGINE BRACKET.....	10
REAR ARM & SUSPENSION.....	11
FRAME.....	13
FRONT SUSPENSION & WHEEL.....	15
STEERING.....	17
FUEL TANK.....	19
PEDAL WIRE.....	20
PEDAL ASSEMBLY.....	21
BRAKE.....	23
GOVERNOR.....	24
DRIVE	
PRIMARY SHEAVE.....	25
SECONDARY SHEAVE.....	26
TRANSMISSION.....	27
SHIFTER & CABLES.....	29
REAR AXLE & WHEEL.....	30
BUMPER.....	31
BODY.....	32
BODY 2.....	34
BODY FITTING.....	37
CARRIER.....	38
SEAT.....	39
ELECTRICAL	
STARTING MOTOR.....	40
ELECTRICAL 1.....	42

ELECTRICAL 2.....	44
ALTERNATE FOR WINDSHIELD.....	46
ALTERNATE FOR SUN ROOF.....	47

INDEX

NUMERICAL INDEX.....	48
----------------------	----

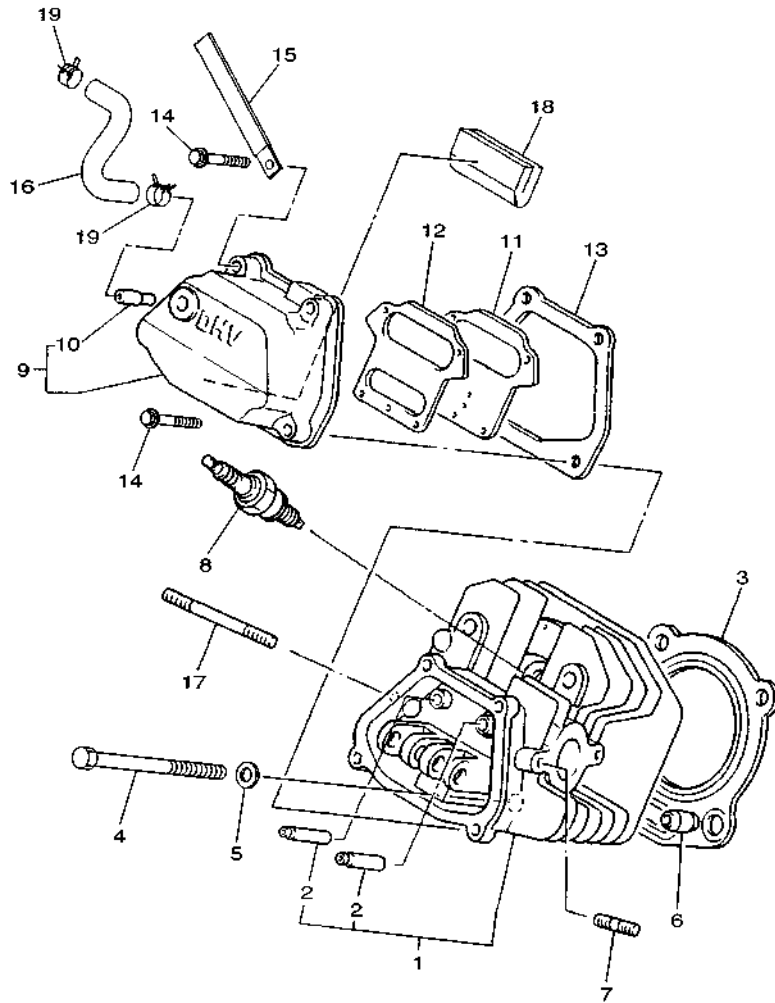


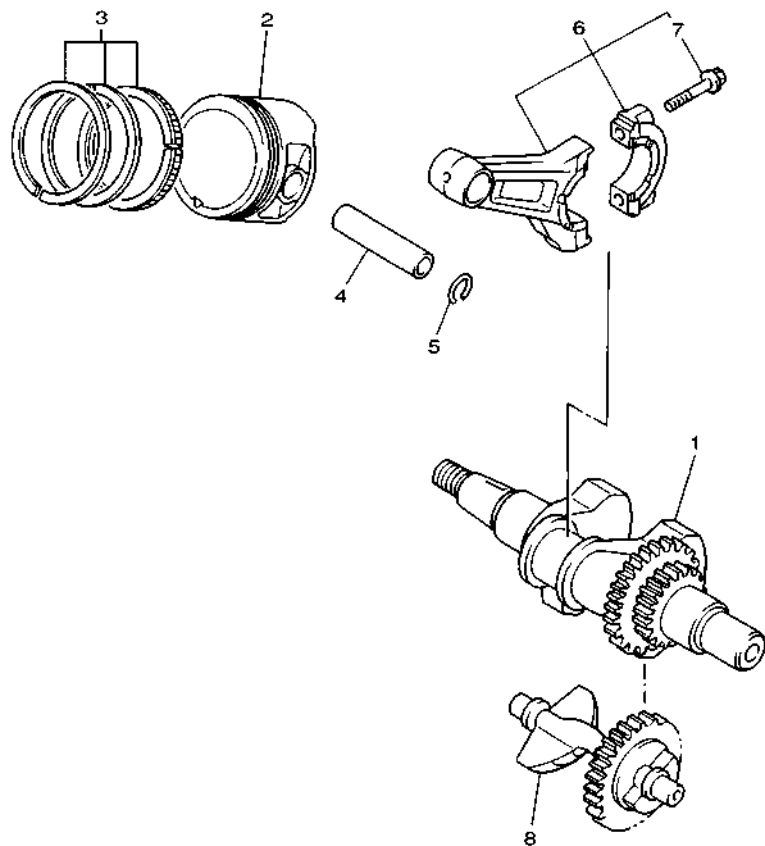
FIG. 2 CYLINDER HEAD

REF. NO.	PART NO.	DESCRIPTION	JOB#	REMARKS
1	JT0-11111-00	HEAD, CYLINDER 1	1	
2	JN6-11133-10	.GUIDE, VALVE 1	2	
3	JT0-11181-00	GASKET, CYLINDER HEAD 1	1	
4	97012-10070	BOLT	4	
5	90201-10057	WASHER, PLATE	4	
6	99530-14016	PIN, DOWEL	2	
7	95622-08618	BOLT, STUD	2	
8	94702-00348	PLUG, SPARK (NGK-BPR2ES)	1	STD
	94702-00343	PLUG, SPARK (NGK BP4ES)	1	AP
9	JN6-11191-01	COVER, CYLINDER HEAD 1	1	
10	JN6-11116-00	.JOINT, BREATHER	1	
11	JN6-11168-00	COVER, BREATHER	1	
12	JN6-11169-00	GASKET, BREATHER COVER	1	
13	JN6-11193-00	GASKET, HEAD COVER 1	1	
14	95822-06030	BOLT, FLANGE	4	
15	90462-05061	CLAMP	1	
16	J0B-E1166-00	PIPE, BREATHER 1	1	
17	95602-08710	BOLT, STUD	2	
18	JR7-11163-10	ELEMENT	1	
19	90467-13847	CLIP	2	



J0B1110-S010

FIG. 3 CRANKSHAFT & PISTON

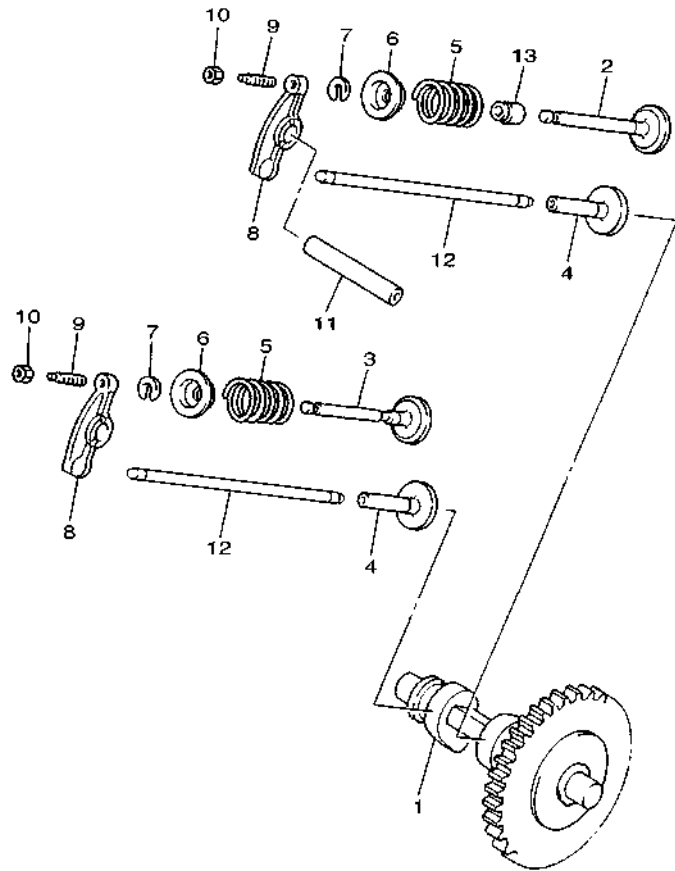


REF. NO.	PART NO.	DESCRIPTION	JOB1				REMARKS
1	JN6-11400-00	CRANKSHAFT ASSY	1				
2	JR7-11631-00-A0	PISTON (STD)	1				
	JR7-11635-00	PISTON (0.25MM O/S)	1				AP
	JR7-11636-00	PISTON (0.50MM O/S)	1				AP
3	JR7-11610-00	PISTON RING SET (STD)	1				
	JR7-11610-10	PISTON RING SET (0.25MM O/S)	1				AP
	JR7-11610-20	PISTON RING SET (0.50MM O/S)	1				AP
4	583-11633-00	PIN, PISTON	1				
5	93450-21053	CIRCLIP	2				
6	JN6-11650-10	CONNECTING ROD ASSY	1				
7	JN6-11654-10	.BOLT, CONNECTING ROD	2				
8	JN6-11454-10	WEIGHT 1	1				



JN7010-6021

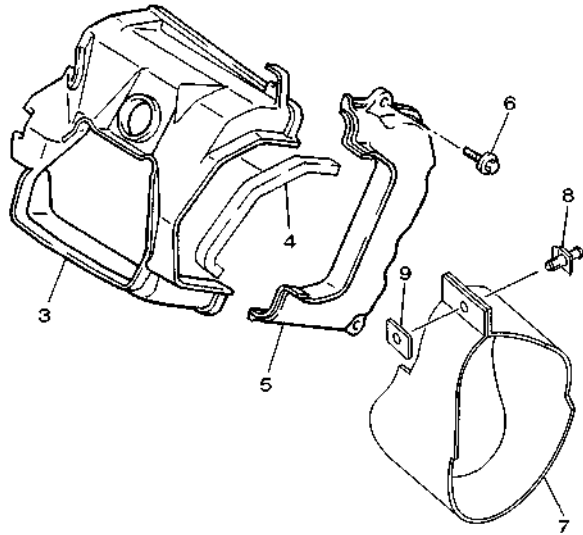
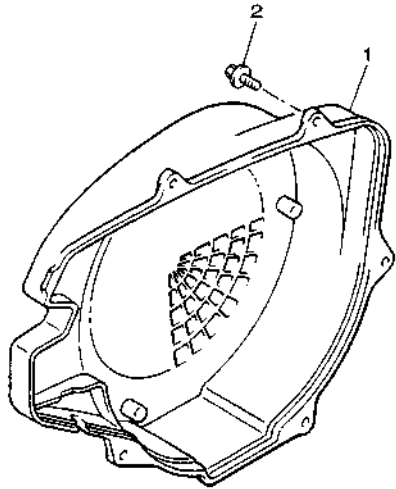
FIG. 4 CAMSHAFT & VALVE



REF. NO.	PART NO.	DESCRIPTION	JOB1				REMARKS
1	JR7-12170-00	CAMSHAFT ASSY 1	1				
2	JN6-12111-10	VALVE, INTAKE	1				
3	7RH-12121-10	VALVE, EXHAUST	1				
4	JN6-12153-10	LIFTER, VALVE	2				
5	90501-264A9	SPRING, COMPRESSION	2				
6	J38-12117-01	RETAINER, VALVE SPRING	2				
7	J38-12118-00	LOCK, VALVE SPRING RETAINER	2				
8	JN6-12151-10	ARM, VALVE ROCKER	2				
9	22F-12159-10	SCREW, VALVE ADJUSTING	2				
10	90170-05302	NUT	2				
11	J38-12156-20	SHAFT, ROCKER 2	1				
12	JR7-12154-10	ROD, VALVE PUSH	2				
13	4G0-12119-00	SEAL, VALVE STEM	1				



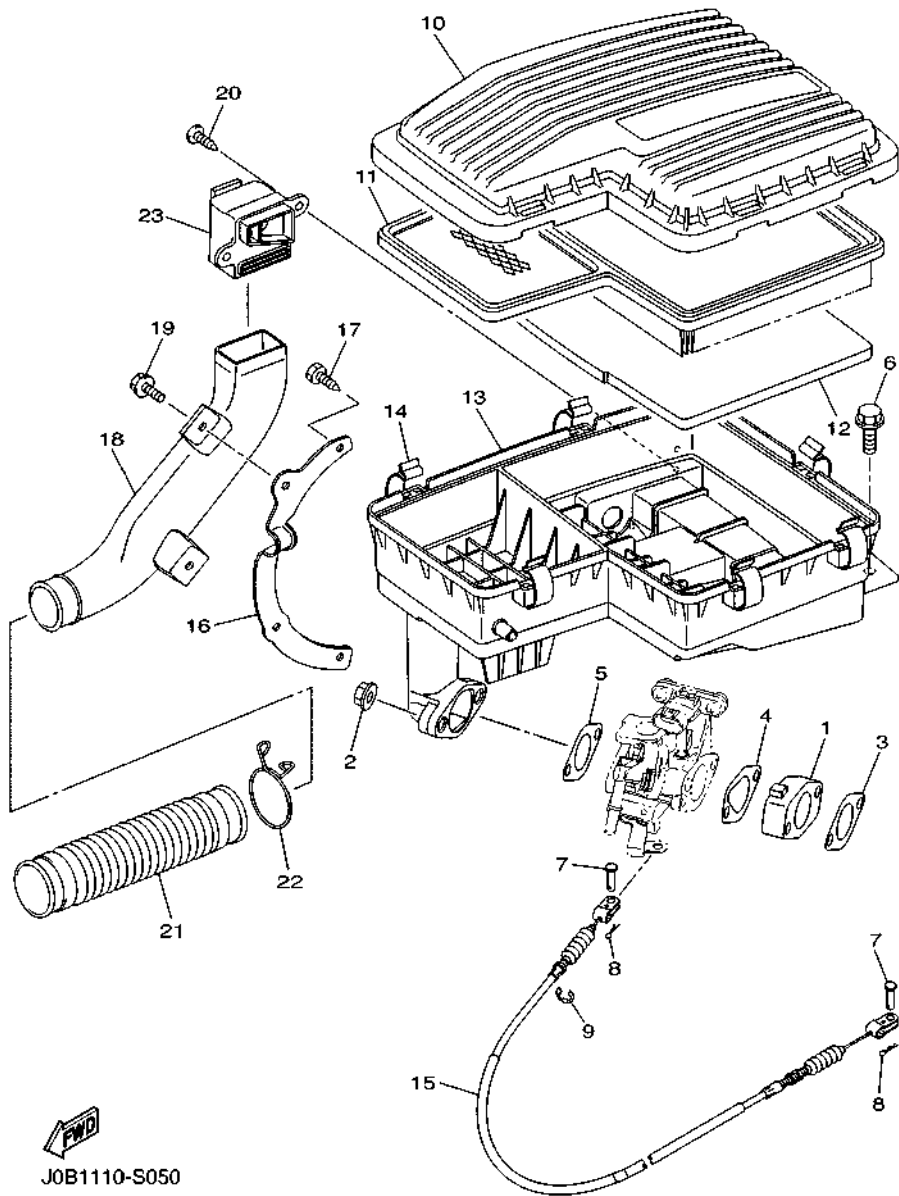
JD13110-K030



J0B1110-S040

FIG. 5 AIR SHROUD & FAN

REF. NO.	PART NO.	DESCRIPTION	JOB1				REMARKS
1	JN6-12621-02	CASE, FAN	1				
2	95802-06020	BOLT, FLANGE	4				
3	JN6-12651-01	AIR SHROUD, CYLINDER 1	1				
4	JR7-12658-00	DAMPER, AIR SHROUD 1	1				
5	JN6-12652-00	AIR SHROUD, CYLINDER 2	1				
6	95802-06020	BOLT, FLANGE	2				
7	J0B-E2691-00	DUCT 1	1				
8	90269-10001	RIVET	1				
9	JR7-12634-00	PLATE 2	1				

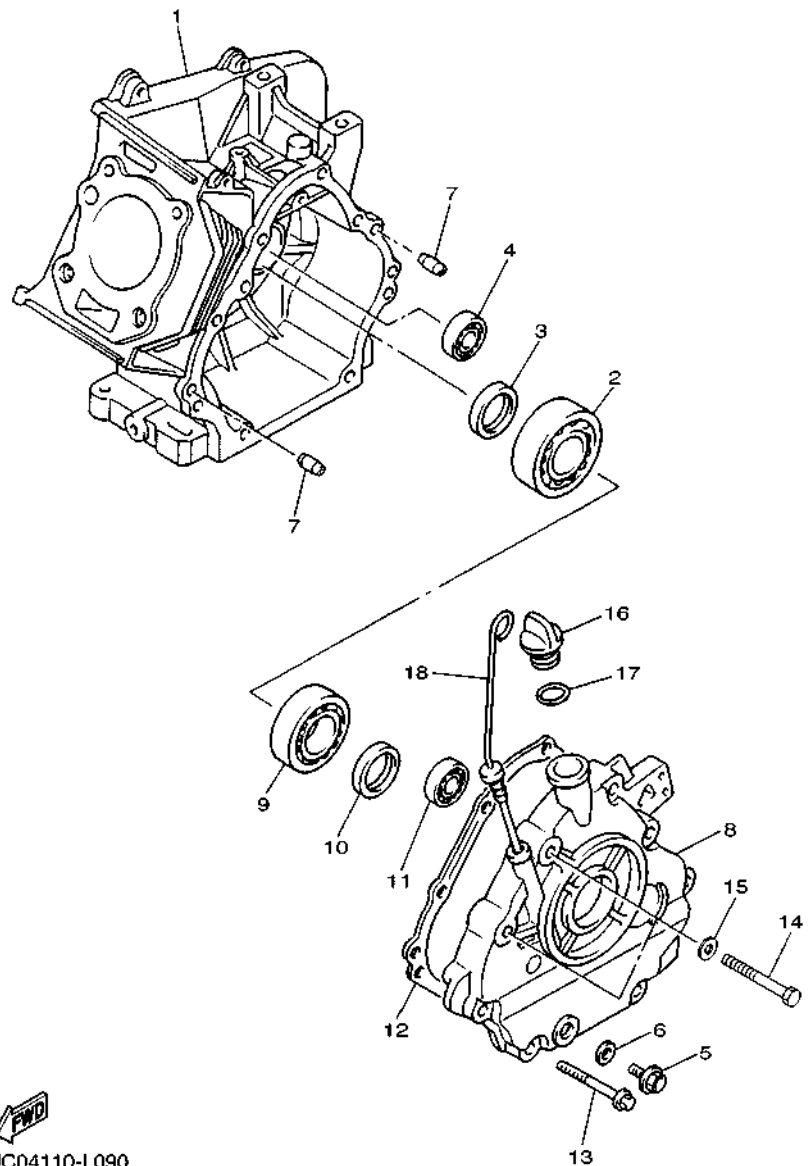


J0B1110-S050

FIG. 6 INTAKE 1

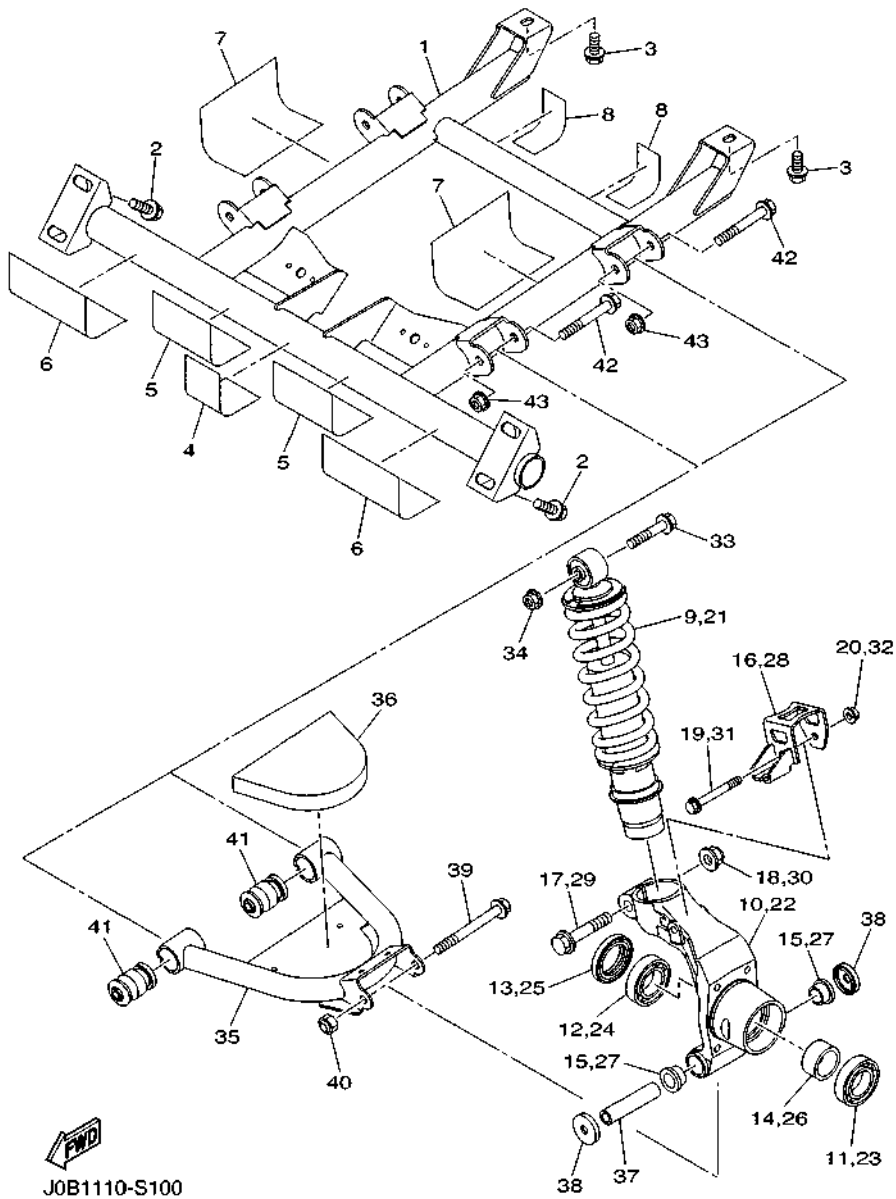
REF. NO.	PART NO.	DESCRIPTION	JOB1			REMARKS
1	JC0-13595-00	JOINT	1			
2	95702-08500	NUT, FLANGE	2			
3	JN6-13567-00	GASKET	1			
4	JC0-13567-00	GASKET	1			
5	JN6-13567-00	GASKET	1			
6	95802-06016	BOLT, FLANGE	2			
7	91702-05010	PIN, CLEVIS	2			
8	90468-10049	CLIP	2			
9	99001-07600	CIRCLIP	1			
10	J0B-E4412-00	CAP, CLEANER CASE 1	1			
11	J0B-E4451-01	ELEMENT, AIR CLEANER	1			
12	JU0-E445E-00	FILTER 1	1			
13	J0B-E4411-01	CASE, AIR CLEANER 1	1			
14	3B4-14424-00	CLIP, CAP FITTING	7			
15	J0B-F6312-00	CABLE, THROTTLE 2	1			
16	J0B-E4413-00	STAY	1			
17	97702-60416	SCREW, TAPPING	2			
18	J0B-E5471-00	DUCT, AIR	1			
19	90105-06057	BOLT, FLANGE	2			
20	97702-50016	SCREW, TAPPING	2			
21	J0B-E4437-00	DUCT	1			
22	90467-24140	CLIP	1			
23	J0B-E4453-01	JOINT, AIR CLEANER 1	1			

FIG. 9 CRANKCASE



JC04110-L090

REF. NO.	PART NO.	DESCRIPTION	JOB1				REMARKS
1	JC0-15111-01	CRANKCASE 1	1				
2	93306-30709	BEARING	1				
3	93102-35014	OIL SEAL	1				
4	93306-20201	BEARING	1				
5	90340-12097	PLUG, STRAIGHT SCREW	1				
6	812-11198-00	GASKET	1				
7	99530-08016	PIN, DOWEL	2				
8	JN6-15411-01	COVER, CRANKCASE 1	1				
9	93306-20714	BEARING	1				
10	93102-35014	OIL SEAL	1				
11	93306-20201	BEARING	1				
12	JY2-15451-00	GASKET, CRANKCASE COVER 1	1				
13	95812-08045	BOLT, FLANGE	6				
14	97012-10050	BOLT	2				
15	90201-10057	WASHER, PLATE	2				
16	796-15363-01	PLUG, OIL	1				
17	93210-22344	O-RING	1				
18	J38-15361-00	GAUGE, LEVEL	1				



J0B1110-S100

FIG. 11 REAR ARM & SUSPENSION

REF. NO.	PART NO.	DESCRIPTION	JOB1				REMARKS
1	J0B-F2110-02	REAR ARM COMP.	1				
2	95822-10020	BOLT, FLANGE	4				
3	J0B-F1531-00	BOLT	2				
4	J0B-F8218-00	SEAL 1	1				
5	J0B-F8228-00	SEAL 2	2				
6	J0B-F8238-00	SEAL 3	2				
7	J0B-F8268-00	SEAL 4	2				
8	J0B-F8278-00	SEAL 5	2				
9	J0B-F2210-00	SHOCK ABSORBER ASSY, REAR	1				
10	J0B-F53A1-01	KNUCKLE, REAR	1				
11	93306-00622	BEARING	1				
12	93306-006Y4	BEARING	1				
13	93106-38046	OIL SEAL	1				
14	J0B-F3113-00	COLLAR	1				
15	90381-17800	BUSH, SOLID	2				
16	J0B-F537W-00	BRACKET 1	1				
17	95812-12055	BOLT, FLANGE	1				
18	95602-12200	NUT, SELF-LOCKING	1				
19	95812-08060	BOLT, FLANGE	1				
20	95702-08500	NUT, FLANGE	1				
21	J0B-F2210-00	SHOCK ABSORBER ASSY, REAR	1				
22	J0B-F53A1-01	KNUCKLE, REAR	1				
23	93306-00622	BEARING	1				
24	93306-006Y4	BEARING	1				
25	93106-38046	OIL SEAL	1				
26	J0B-F3113-00	COLLAR	1				
27	90381-17800	BUSH, SOLID	2				

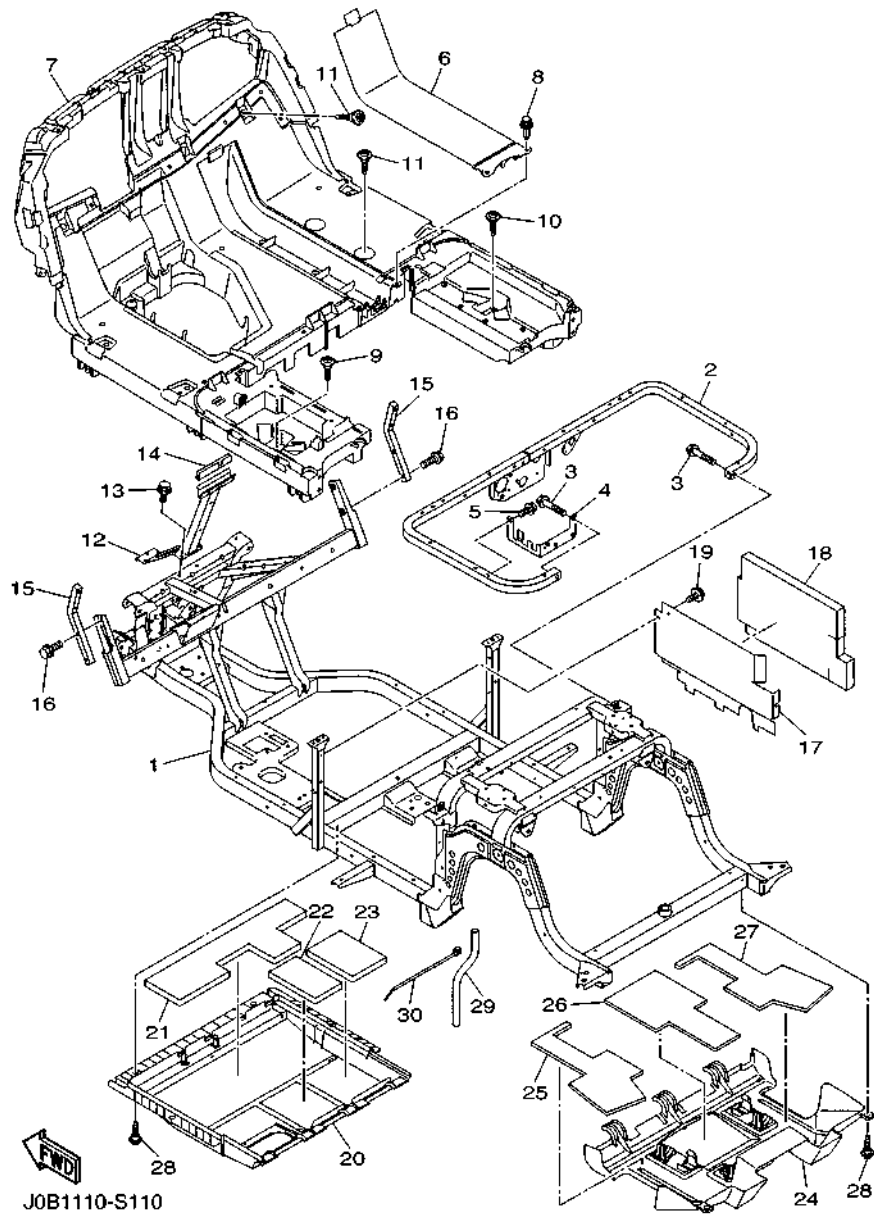
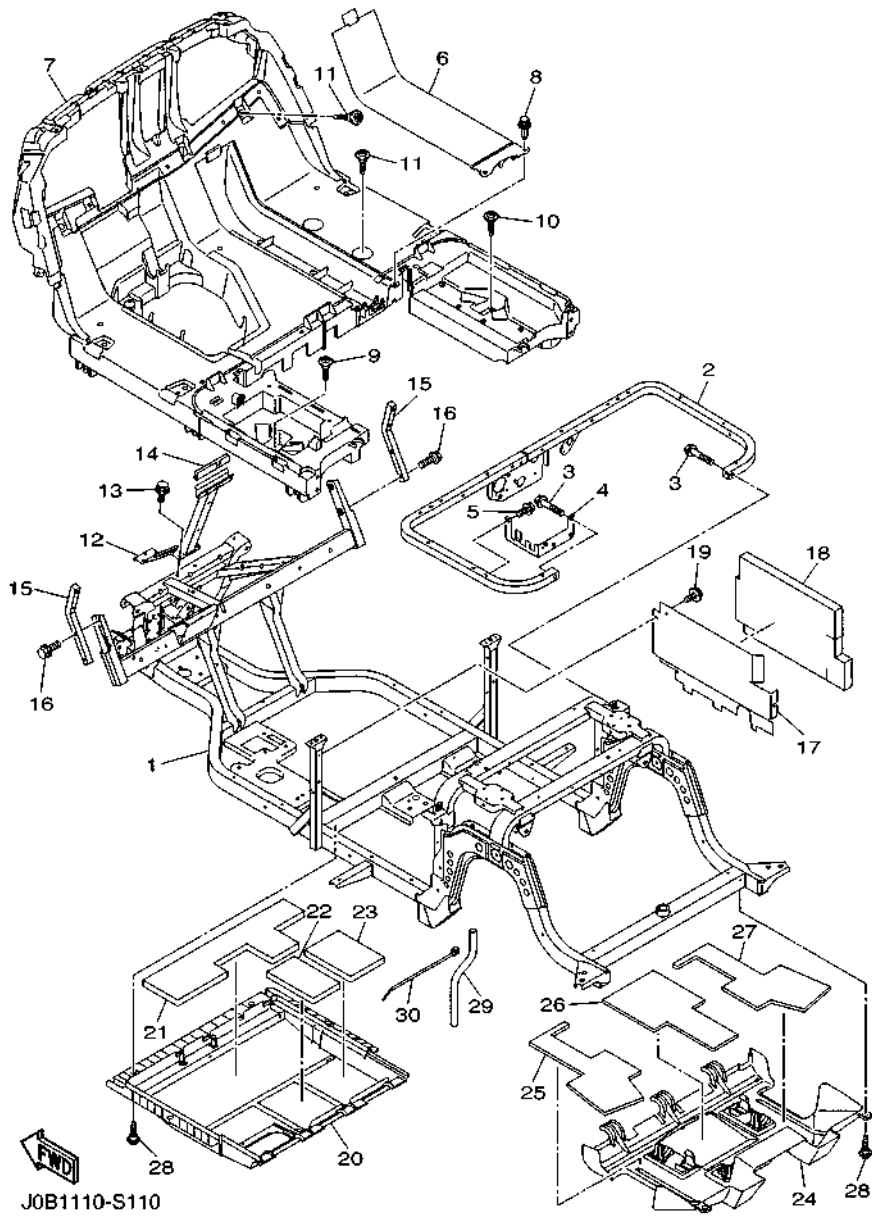


FIG. 12 FRAME

REF. NO.	PART NO.	DESCRIPTION	JOB1				REMARKS
1	J0B-F2501-00	FRAME COMP.	1				
2	J0B-F255G-00	MEMBER, SEAT SUPPORT	1				
3	95812-08040	BOLT, FLANGE	2				
4	J0B-F253B-00	STAY, RELAY	1				
5	90105-08867	BOLT, FLANGE	1				
6	J0B-F7413-01	COVER, FOOTREST	1				
7	J0B-F7411-01	FOOTREST 1	1				
8	90269-09003	RIVET	2				
9	J0B-F1738-00	BOLT	1				
10	J0B-F1738-00	BOLT	1				
11	J0B-F1738-00	BOLT	7				
12	J0B-F258E-00	SUPPORT, FRONT COWL	1				
13	90105-08867	BOLT, FLANGE	2				
14	J0B-F2127-00	SHIM	1				
15	J0B-K816M-00	REAR STORAGE BOX COMP.	2				
16	90105-088B6	BOLT, FLANGE	4				
17	J0B-F258R-00	PLATE, BATTERY 3	1				
18	J0B-K8252-00	PAD, SILENCER 2	1				
19	90105-08867	BOLT, FLANGE	2				
20	J0B-F3123-01	COVER, UNDER 1	1				
21	J0B-K8256-00	PAD, SILENCER 6	1				
22	J0B-K8257-00	PAD, SILENCER 7	1				
23	J0B-K8258-00	PAD, SILENCER 8	1				
24	J0B-F3133-02	COVER, LOWER 2	1				
25	J0B-K8259-00	PAD, SILENCER 9	1				
26	J0B-K825A-00	PAD, SILENCER 10	1				
27	J0B-K825E-00	PAD, SILENCER 11	1				

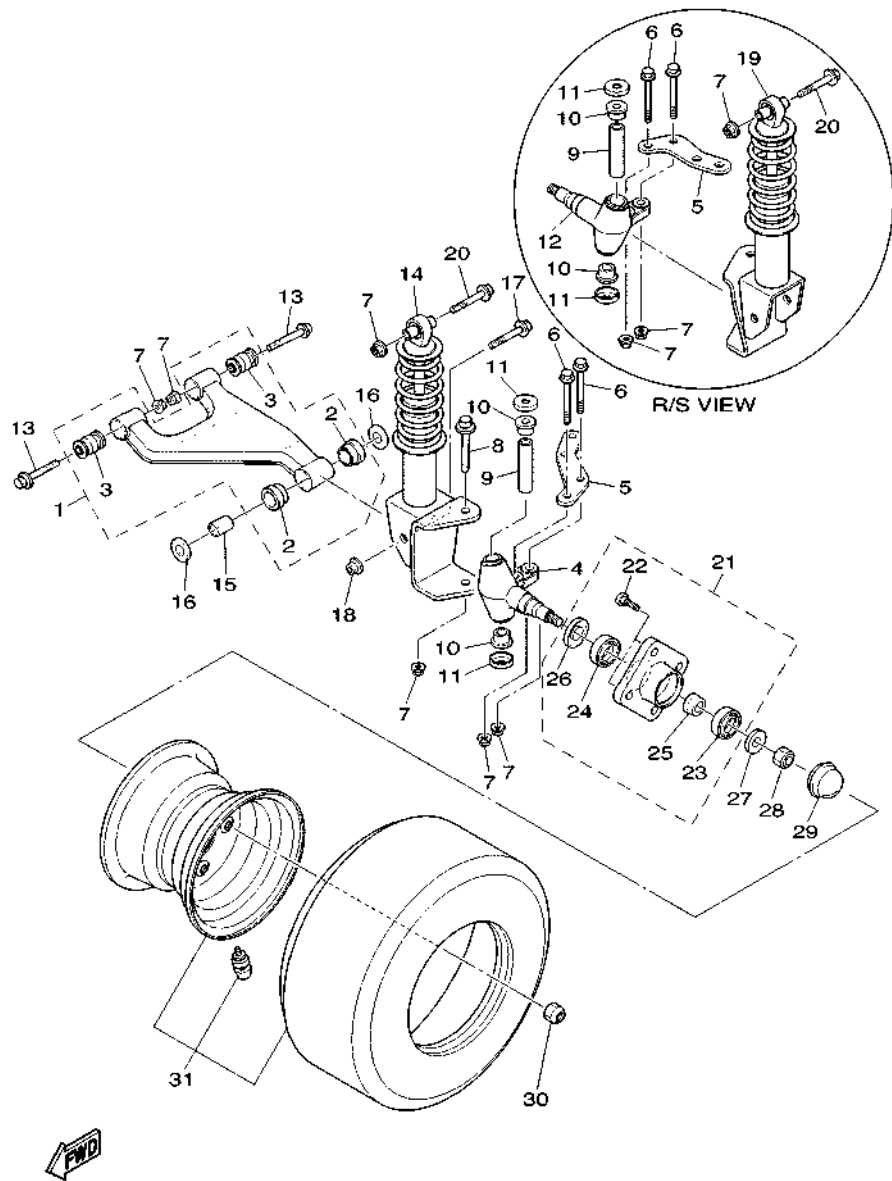


JOB1110-S110

FIG. 12 FRAME

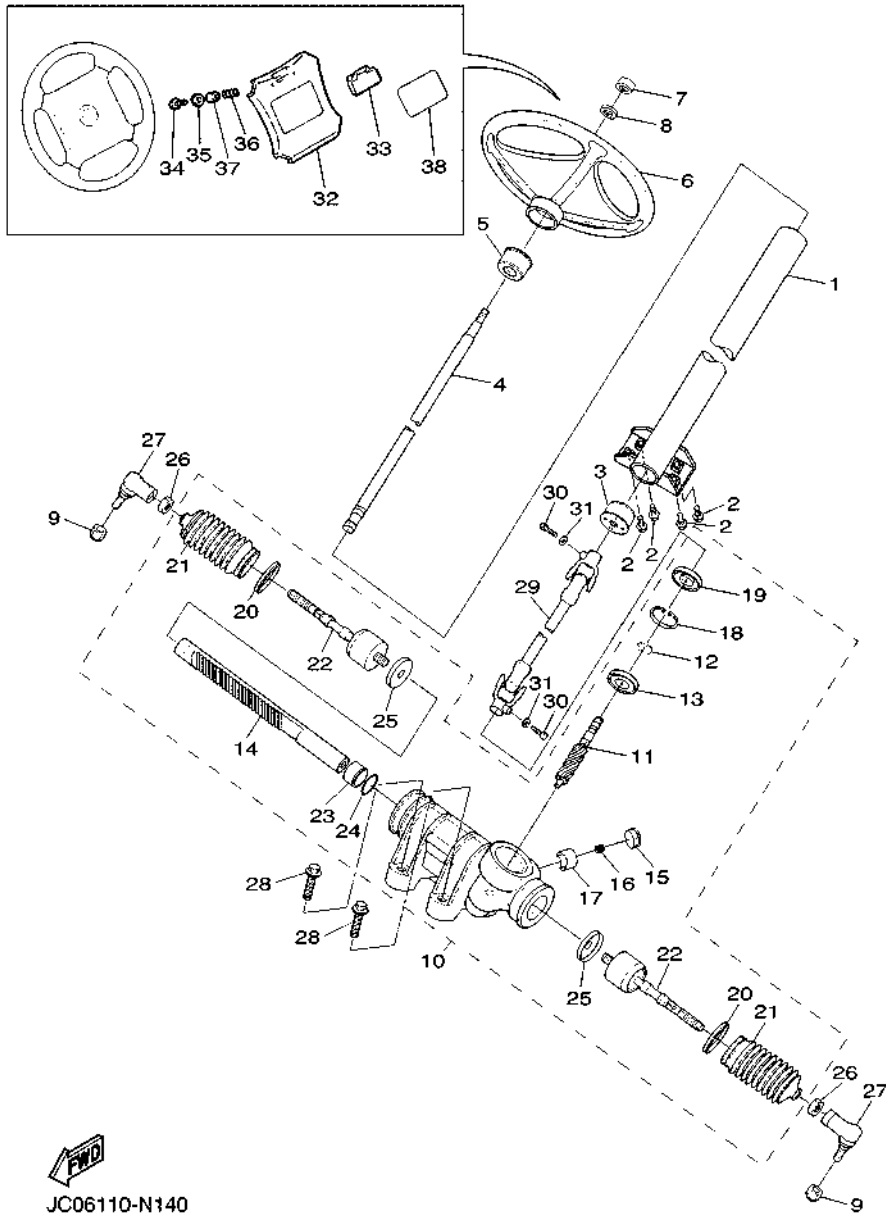
REF. NO.	PART NO.	DESCRIPTION	JOB1				REMARKS
28	J0B-F1738-00	BOLT	6				
29	J0B-F125J-00	PIPE, DRAIN	2				
30	90464-76800	CLAMP	2				
<hr/>							
<hr/>							
<hr/>							
<hr/>							
<hr/>							
<hr/>							
<hr/>							
<hr/>							
<hr/>							

FIG. 13 FRONT SUSPENSION & WHEEL



J0B1110-S120

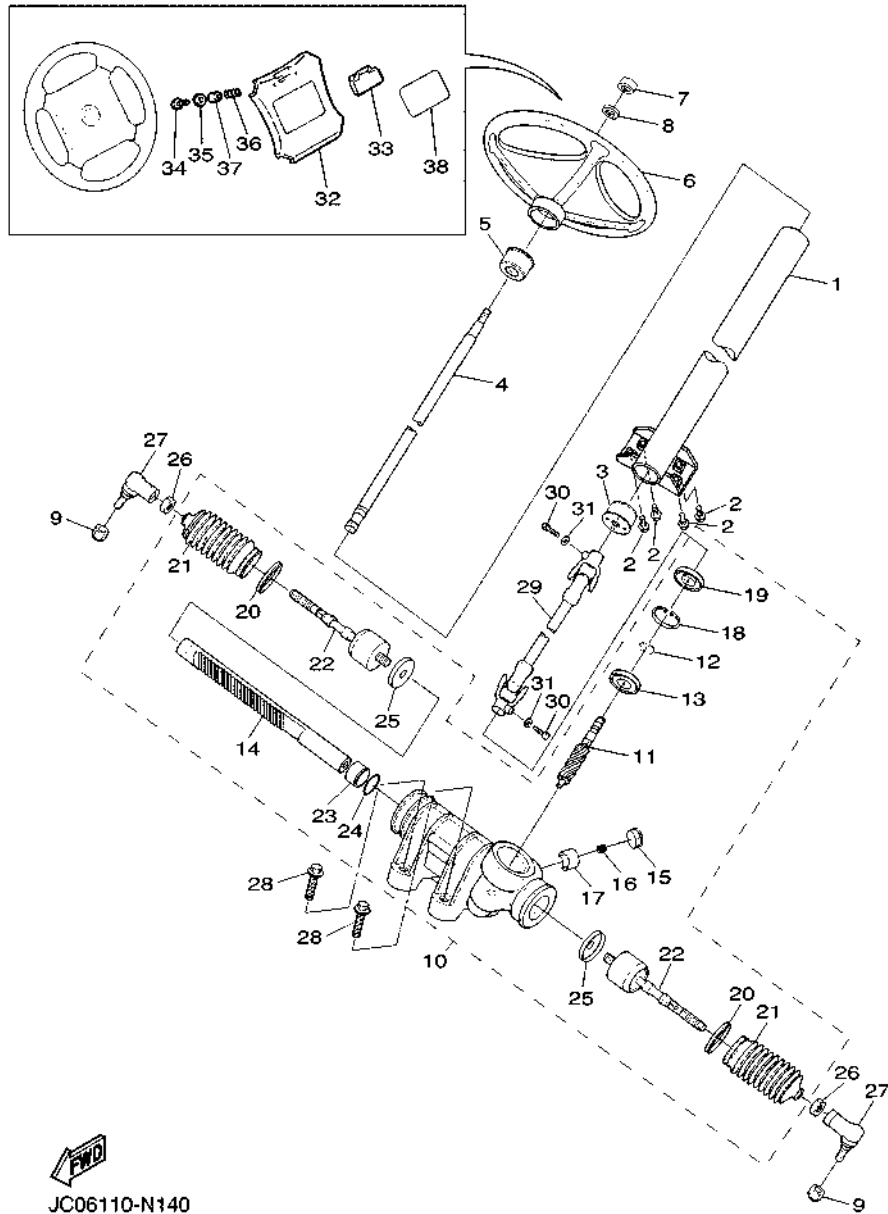
REF. NO.	PART NO.	DESCRIPTION	JOB1				REMARKS
1	J0B-F3570-10	FRONT LOWER ARM COMP. (LEFT)	2				
2	90381-18801	.BUSH, SOLID	2				
3	2HR-23526-00	.BUSH	2				
4	JU0-F3511-20	KNUCKLE, STEERING 1	1				
5	JW1-F3512-00	ARM, KNUCKLE 1	2				
6	90105-10373	BOLT, FLANGE	4				
7	95602-10200	NUT, S/L FLANGE	12				
8	90105-10219	BOLT, FLANGE	2				
9	2NL-23448-00	SPACER	2				
10	90381-17800	BUSH, SOLID	4				
11	2NL-23517-00	COVER, THRUST 1	4				
12	JU0-F3521-20	KNUCKLE, STEERING 2	1				
13	90105-10267	BOLT, FLANGE	4				
14	J0B-F3350-00	SHOCK ABSORBER ASSY	1				
15	90387-12016	COLLAR	2				
16	401-22128-01	COVER, THRUST 1	4				
17	95812-12080	BOLT, FLANGE	2				
18	95612-12100	NUT, U	2				
19	J0B-F3390-00	SHOCK ABSORBER ASSY 2	1				
20	90105-10267	BOLT, FLANGE	2				
21	JW8-F5103-00	HUB BEARING UNIT ASSY	2				
22	90114-12806	.BOLT, SERRATION	4				
23	93306-204X0	.BEARING	1				
24	93306-005Y3	.BEARING	1				
25	90387-241M7	.COLLAR	1				
26	93102-30083	.OIL SEAL	1				
27	90208-14801	WASHER, CONICAL SPRING	2				



JC06110-N140

FIG. 14 STEERING

REF. NO.	PART NO.	DESCRIPTION	JOB1				REMARKS
1	JW1-F3811-03	COLUMN, STEERING	1				
2	95812-08020	BOLT, FLANGE	4				
3	JU0-F3857-11	HOLDER	1				
4	JU0-F3828-10	ROD, STEERING	1				
5	JU0-F3857-11	HOLDER	1				
6	JN3-F3838-00	WHEEL, STEERING	1				
7	90185-12008	NUT, SELF-LOCKING	1				
8	92902-12200	WASHER	1				
9	95602-12200	NUT, SELF-LOCKING	2				
10	JW1-F3400-00	STEERING ASSY	1				
11	JW1-F387A-00	.GEAR, PINION	1				
12	JW1-F3183-00	.CIRCLIP	1				
13	JW1-F3812-00	.BEARING, STEERING	1				
14	JW1-F387E-00	.GEAR, RACK	1				
15	5UG-F387G-00	.COVER, ADJUST	1				
16	5UG-F387K-00	.SPRING, PRESSURE	1				
17	5UG-F387F-00	.PAD, PRESSURE	1				
18	5UG-F387J-00	.RING, STOPPER	1				
19	5UG-F3844-00	.SEAL	1				
20	5UG-F3489-00	.BAND	2				
21	5UG-F3527-00	.SEAL, DUST 1	2				
22	JW1-F3837-00	.ROD, TIE 2	2				
23	JW1-F467K-00	.BUSH, CAP	1				
24	JW1-F3866-00	.CIRCLIP	1				
25	JW1-F3894-00	.WASHER, LOCK 1	2				
26	1P0-F3833-00	NUT 1	2				
27	JW8-23841-01	JOINT, UNIVERSAL 1	2				

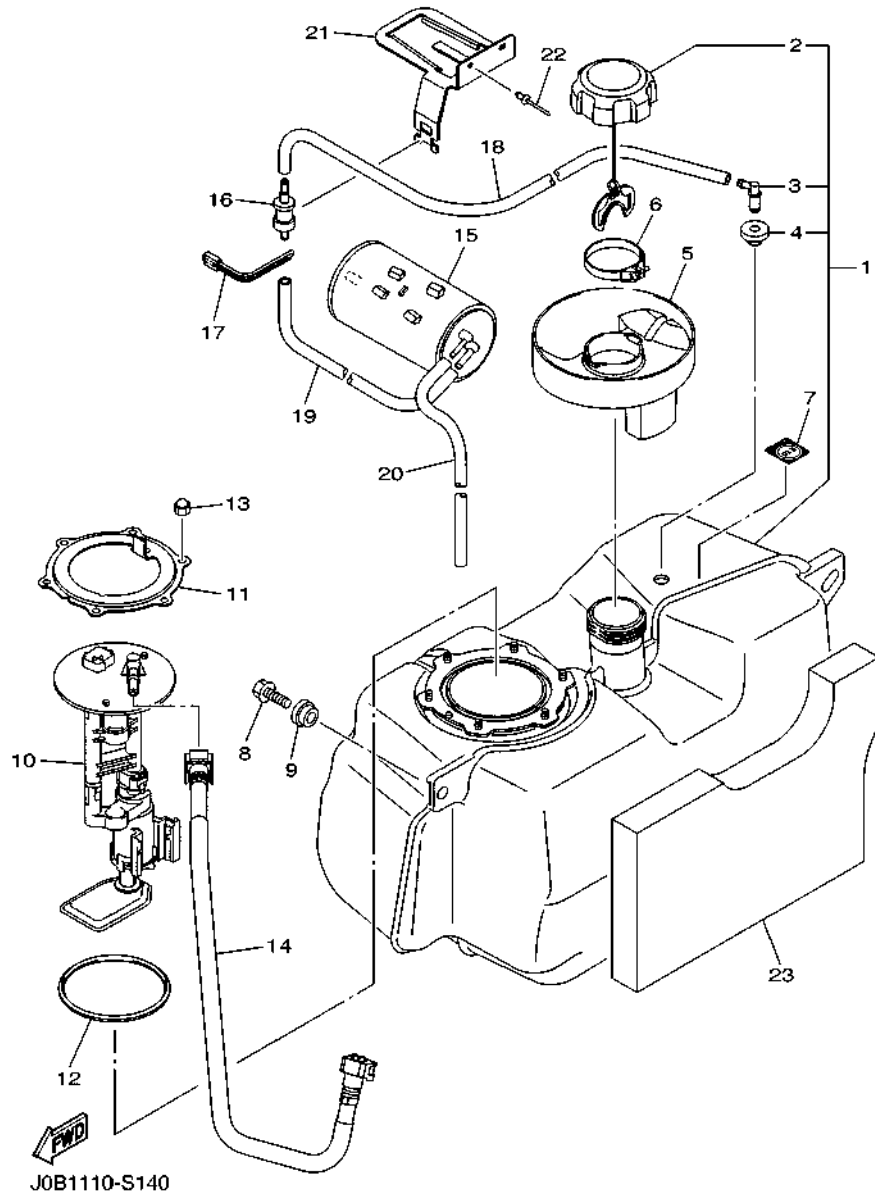


JC06110-N140

FIG. 14 STEERING

REF. NO.	PART NO.	DESCRIPTION	JOB1				REMARKS
28	90105-10847	BOLT, FLANGE	4				
29	JW1-F3822-01	JOINT 1	1				
30	97012-08030	BOLT	2				
31	92902-08600	WASHER, PLATE	2				
32	JW8-K8357-00	HOLDER 1	1				
33	JN6-K8358-01	HOLDER 2	1				
34	97702-40525	SCREW, TAPPING	2				
35	90201-04810	WASHER, PLATE	2				
36	90502-10013	SPRING, CONICAL	2				
37	90387-046N7	COLLAR	2				
38	JW8-K7762-00	LABEL, WARNING 2	1				

FIG. 15 FUEL TANK



REF. NO.	PART NO.	DESCRIPTION	JOB1				REMARKS
1	JC0-F4111-01	TANK, FUEL	1				
2	JW1-F4610-00	.CAP ASSY	1				
3	JW1-F4112-00	.PIPE	1				
4	JU5-F4375-00	.GROMMET	1				
5	J0B-F4217-00	COVER	1				
6	90450-54008	HOSE CLAMP ASSY	1				
7	B88-2817K-00	LABEL, FUEL	1				
8	JW1-F1738-00	BOLT	2				
9	90560-08251	SPACER	2				
10	J0B-13907-00	FUEL PUMP COMP.	1				
11	18P-24491-00	BRACKET, FUEL PUMP	1				
12	1S3-24486-00	O-RING	1				
13	95302-06800	NUT, CROWN	6				
14	J0B-13971-00	PIPE, FUEL 1	1				
15	7CC-F4170-01	CANISTER ASSY	1				
16	4WM-24180-00	ROLL OVER VALVE ASSY	1				
17	90464-40825	CLAMP	1				
18	J0B-F4314-00	PIPE 4	1				
19	J0B-F4316-00	PIPE 6	1				
20	J0B-F4317-00	PIPE 7	1				
21	J0B-F419A-00	HOLDER	1				
22	JW7-K7329-00	RIVET	2				
23	J0B-K8253-00	PAD, SILENCER 3	1				

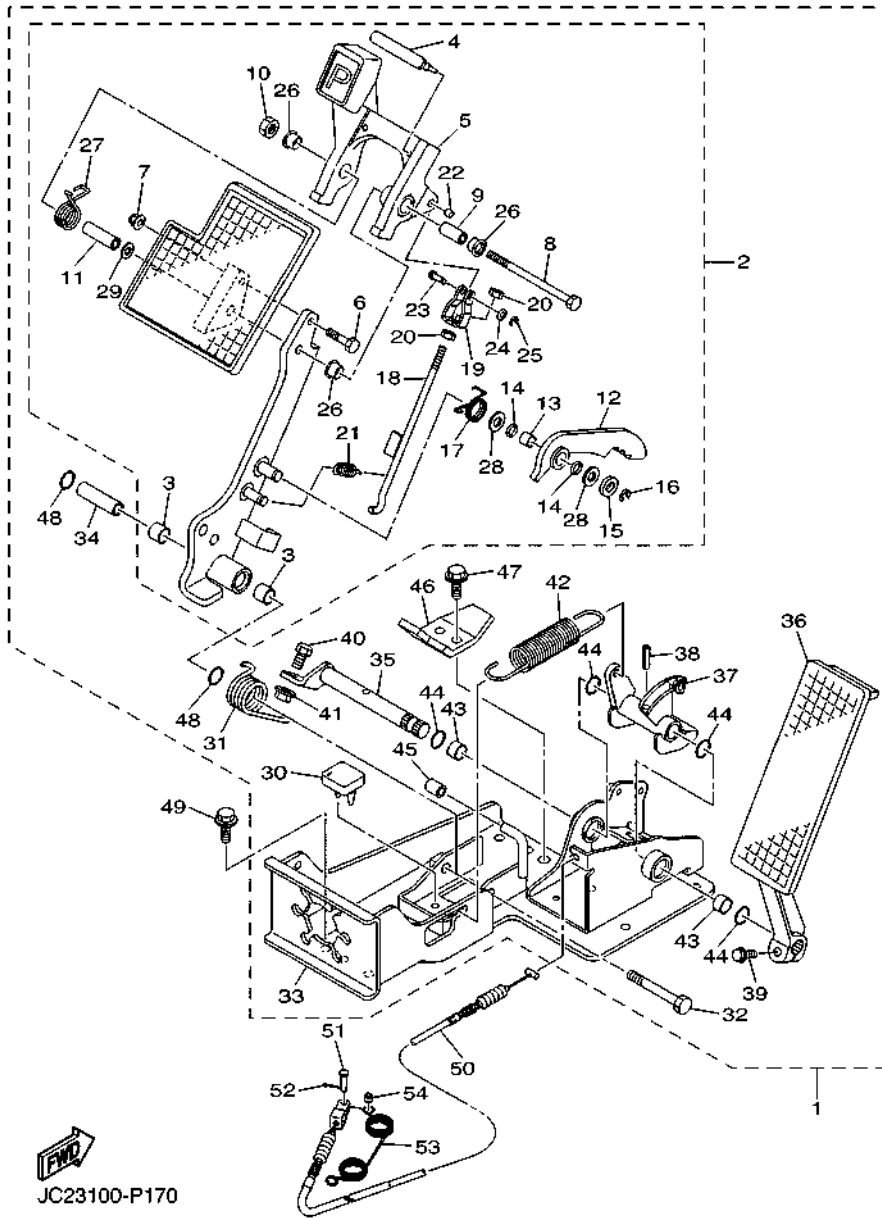


FIG. 17 PEDAL ASSEMBLY

REF. NO.	PART NO.	DESCRIPTION	JOB1				REMARKS
1	JW8-F7850-31	PEDAL ASSY (L.H)	1				
2	JW9-F7200-21	.PEDAL, BRAKE	1				
3	JW8-F7814-21	.BUSH, PEDAL	2				
4	JW9-F5672-00	.PAD, PARKING PEDAL	1				
5	JW9-F5671-00	.PEDAL, PARKING BRAKE	1				
6	JW8-F7117-00	.BOLT, MAIN STAND	1				
7	JW8-F8363-00	.NUT	1				
8	JW8-F7416-00	.BOLT, FOOTREST	1				
9	JW8-F639N-00	.COLLAR	1				
10	JW8-F7218-00	.NUT	1				
11	JW8-F7113-00	.COLLAR, MAIN STAND	1				
12	JW9-F5666-00	.SECTOR, PARKING BRAKE	1				
13	JW8-F7121-00	.BUSH	1				
14	JW9-F7221-00	.SEAL, SHAFT	2				
15	JW8-F7322-00	.WASHER	1				
16	JW8-F3183-00	.CIRCLIP	1				
17	JW8-F7426-01	.SPRING, RETURN	1				
18	JW9-F7231-10	.ROD, BRAKE	1				
19	JW9-F7232-00	.END, ROD 2	1				
20	JW8-F7318-00	.NUT	2				
21	JW8-F6314-00	.SPRING	1				
22	JW8-F639L-00	.BUSH 1	1				
23	JW9-F7228-00	.PIN, JOINT	1				
24	JW8-F8323-00	.WASHER, LEG SHIELD	1				
25	JW8-F5415-00	.CIRCLIP	1				
26	90386-12800	.BUSH	3				
27	JW8-F7825-01	.SPRING, RETURN	1				

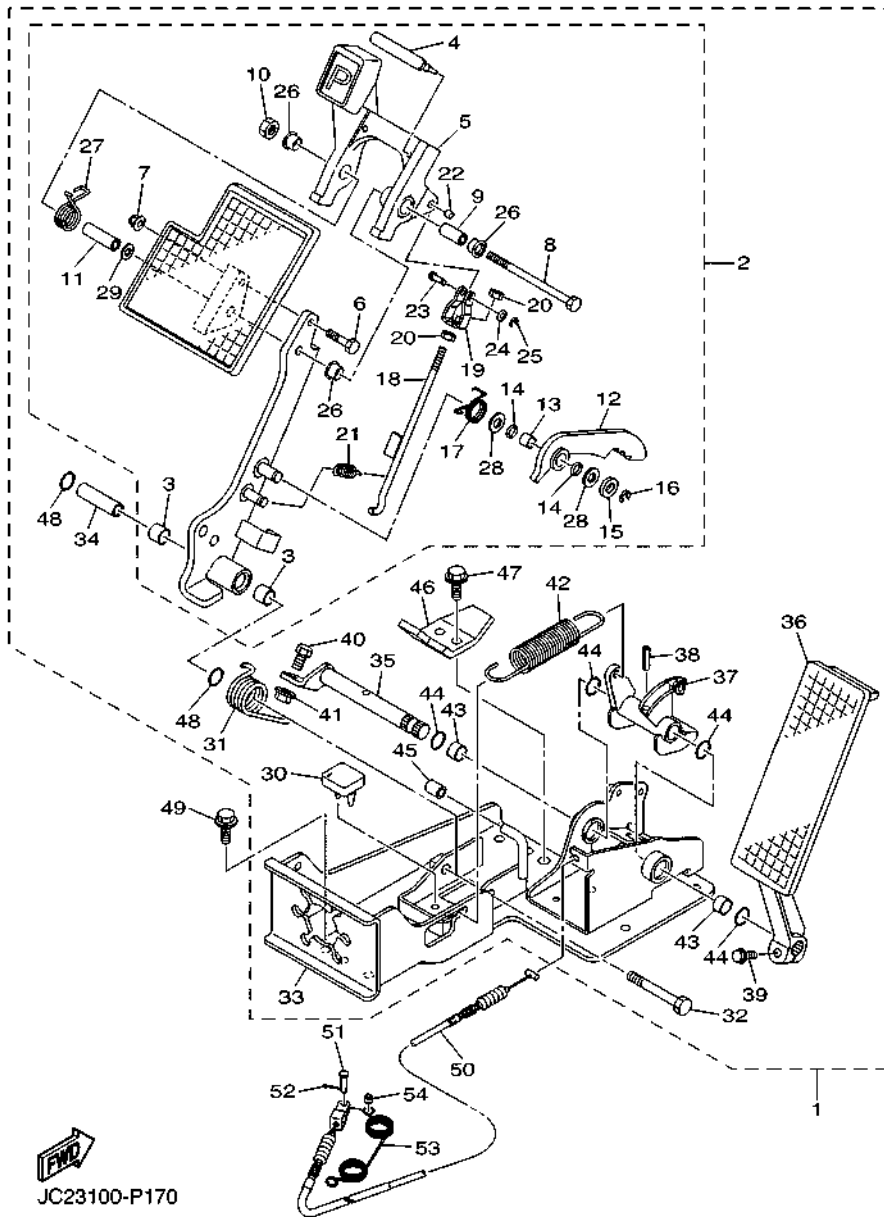


FIG. 17 PEDAL ASSEMBLY

REF. NO.	PART NO.	DESCRIPTION	JOB#	REMARKS
28	JW8-F7119-00	..WASHER	2	
29	JW8-F8319-00	..WASHER	1	
30	JW9-F7245-10	.PAD, BRAKE PEDAL	1	
31	JW8-F7316-01	.SPRING, SIDE STAND	1	
32	JW8-F7217-00	.BOLT	1	
33	JW8-F7445-31	.PLATE 1	1	
34	JW8-F7213-20	.COLLAR	1	
35	JW8-F7853-10	.SHAFT, PEDAL 1	1	
36	JW9-F7871-10	.PEDAL, ACCELERATOR	1	
37	JW8-F7872-30	.ARM, ACCELERATOR PEDAL	1	
38	JW8-F7438-00	.PIN, CLEVIS	1	
39	JW8-F7434-00	.BOLT	1	
40	JW8-F7317-00	.BOLT	1	
41	JW8-F7118-00	.NUT	1	
42	JW8-F815H-01	.SPRING	1	
43	JW8-F7814-21	.BUSH, PEDAL	2	
44	JW8-F4486-00	.O-RING	4	
45	JW9-F5673-00	.DAMPER, BRAKE	1	
46	JW9-F7246-20	.NAIL, BRAKE	1	
47	JW8-F8331-00	.BOLT, LEG SHIELD	2	
48	JW8-F4486-00	.O-RING	2	
49	95812-08020	BOLT, FLANGE	6	
50	J0B-F6311-00	CABLE, THROTTLE 1	1	
51	91702-05014	PIN, CLEVIS	1	
52	90468-10049	CLIP	1	
53	90508-16460	SPRING, TORSION	1	
54	90560-05001	SPACER	1	

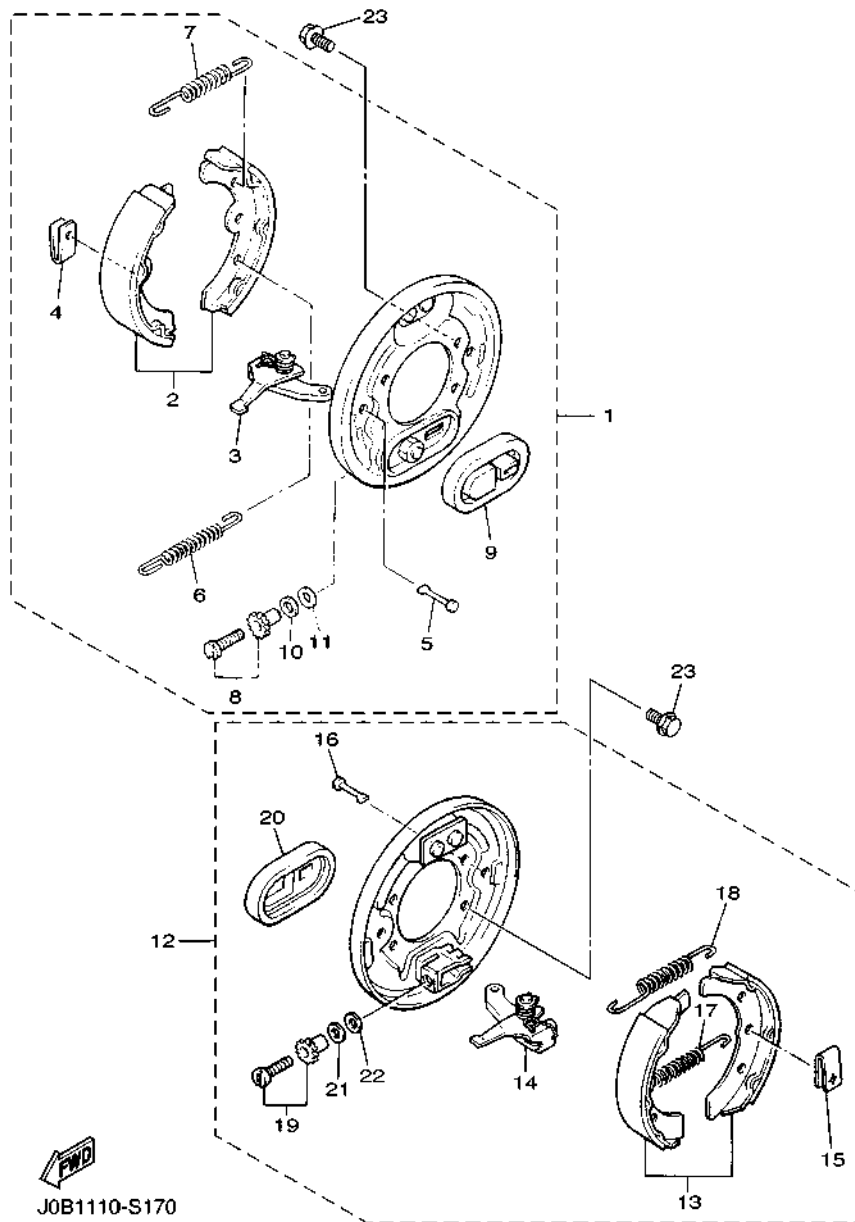


FIG. 18 BRAKE

REF. NO.	PART NO.	DESCRIPTION	JOB1				REMARKS
1	JW8-F7280-00	BACKING PLATE ASSY 1	1				
2	JN9-W2536-00	..BRAKE SHOE SET	1				
3	J38-27204-00	..LEVER ASSY 1	1				
4	JW8-F7281-00	..SPRING, SHOE CLAMP	2				
5	J10-27282-00	..PIN, SHOE HOLD DOWN	2				
6	90506-20281	..SPRING, TENSION	1				
7	90506-14001	..SPRING, TENSION	1				
8	J55-27270-00	..ADJUSTER ASSY	1				
9	JW8-F7286-00	..COVER, DUST	1				
10	90201-121H9	..WASHER, PLATE	1				
11	90201-121H8	..WASHER, PLATE	1				
12	JW8-F7290-00	BACKING PLATE ASSY 2	1				
13	JN9-W2536-00	..BRAKE SHOE SET	1				
14	J38-27205-00	..LEVER ASSY 2	1				
15	JW8-F7281-00	..SPRING, SHOE CLAMP	2				
16	J10-27282-00	..PIN, SHOE HOLD DOWN	2				
17	90506-20281	..SPRING, TENSION	1				
18	90506-14001	..SPRING, TENSION	1				
19	J55-27260-00	..ADJUSTER ASSY	1				
20	JW8-F7286-00	..COVER, DUST	1				
21	90201-121H9	..WASHER, PLATE	1				
22	90201-121H8	..WASHER, PLATE	1				
23	90105-082A0	BOLT, FLANGE	8				

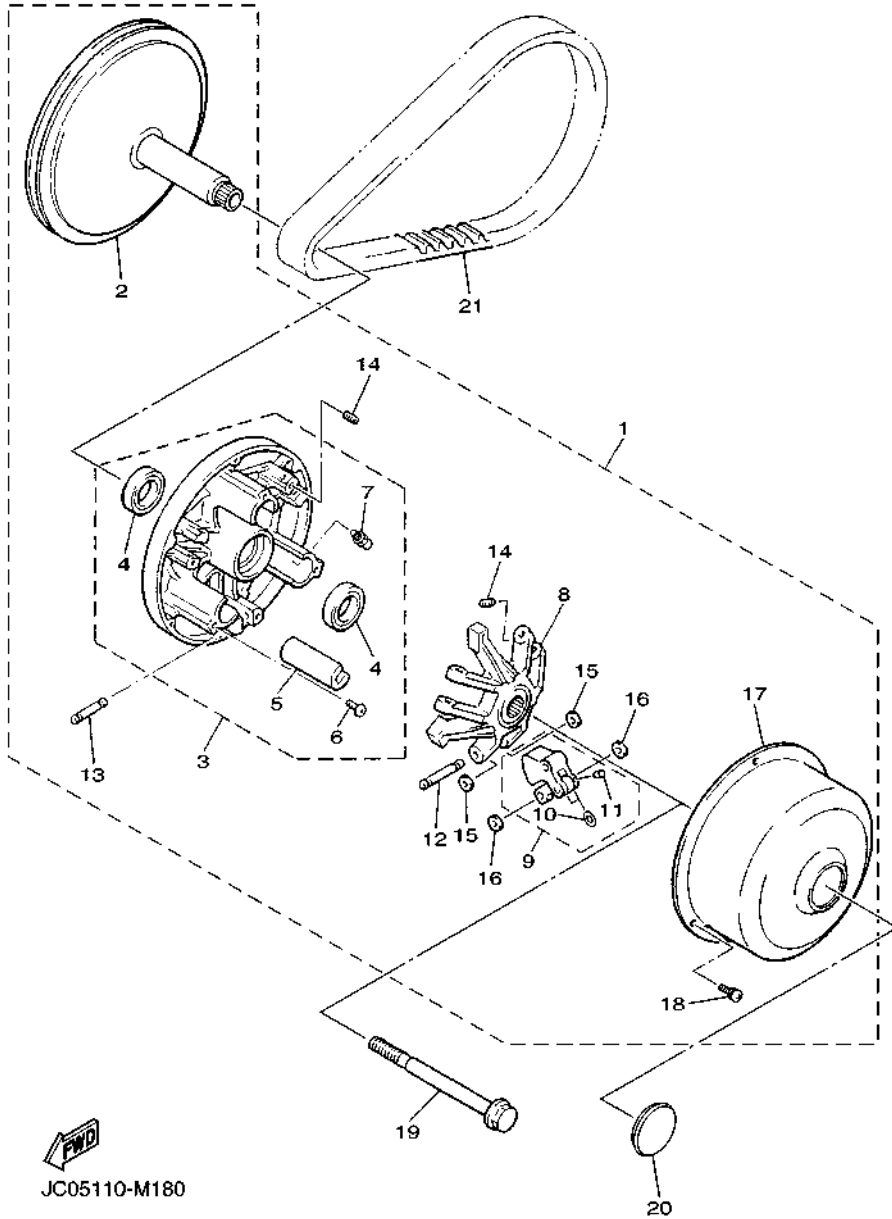
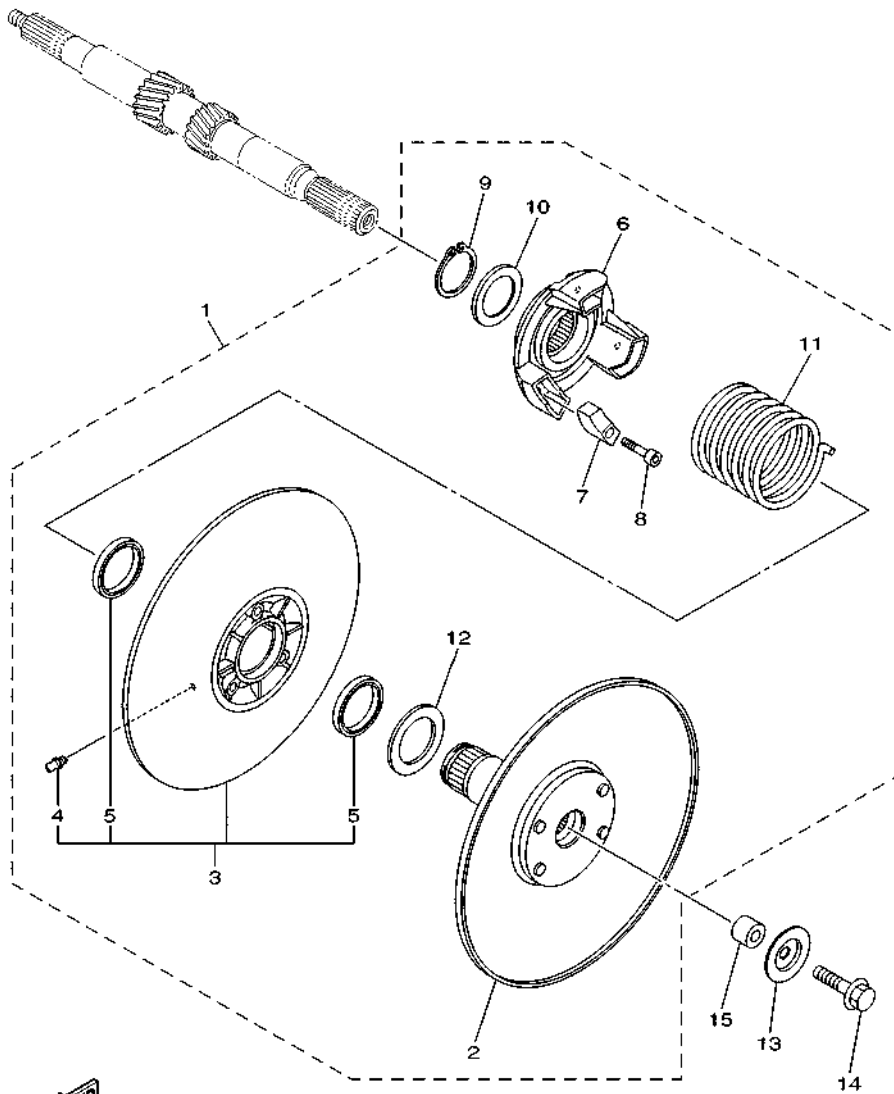


FIG. 20 PRIMARY SHEAVE

REF. NO.	PART NO.	DESCRIPTION	JOB1				REMARKS
1	J0B-G6201-00	PRIMARY CLUTCH ASSY	1				
2	JW8-G6210-00	.PRIMARY FIXED SHEAVE COMP.	1				
3	J0B-G6220-00	.PRIMARY SLIDING SHEAVE COMP.	1				
4	JW8-G624A-00	.OIL SEAL 1	2				
5	JW8-G6253-00	.SLIDER	3				
6	JW8-G4189-00	.SCREW	3				
7	JW8-F135J-00	.NIPPLE	1				
8	JW8-G6251-21	.SPIDER	1				
9	JW8-G6205-21	.WEIGHT LINK ASSY	3				
10	JW8-G5618-00	.WASHER, 1	2				
11	90113-04803	.BOLT, SET	1				
12	JW8-G6236-20	.PIN, WEIGHT	3				
13	JW8-G6237-20	.PIN, WEIGHT 2	3				
14	90113-04803	.BOLT, SET	6				
15	JW8-G5618-00	.WASHER, 1	6				
16	JW8-G5621-00	.WASHER, 2	6				
17	J0B-G6231-00	.CAP	1				
18	JW8-G5282-00	.SCREW	3				
19	JW8-G6249-00	BOLT	1				
20	JW8-G7339-00	PLUG	1				
21	J0B-G6241-00	BELT	1				



JC05110-M190

FIG. 21 SECONDARY SHEAVE

REF. NO.	PART NO.	DESCRIPTION	JOB1				REMARKS
1	JW8-G6202-22	SECONDARY SHEAVE ASSY	1				
2	JW8-G6260-22	.SECONDARY FIXED SHEAVE COMP.	1				
3	JW8-G6270-21	.SECONDARY SLIDING SHEAVE COMP.	1				
4	JW8-F135J-00	.NIPPLE	1				
5	JW8-G624B-00	.OIL SEAL 2	2				
6	JW8-G6284-00	.SEAT, SECONDARY SPRING	1				
7	JW8-E7688-00	.SHOE, RAMP	3				
8	JW8-G6159-00	.BOLT 3	3				
9	JW8-G5531-00	.CLIP, DRIVE SHAFT	1				
10	JW8-G6374-00	.COLLAR, SPRING	1				
11	JW8-G6275-10	.SPRING, CLUTCH 1	1				
12	JW8-G5677-00	.WASHER	1				
13	90209-08018	WASHER	1				
14	90105-08260	BOLT, FLANGE	1				
15	JW8-G5697-20	COLLAR	1				

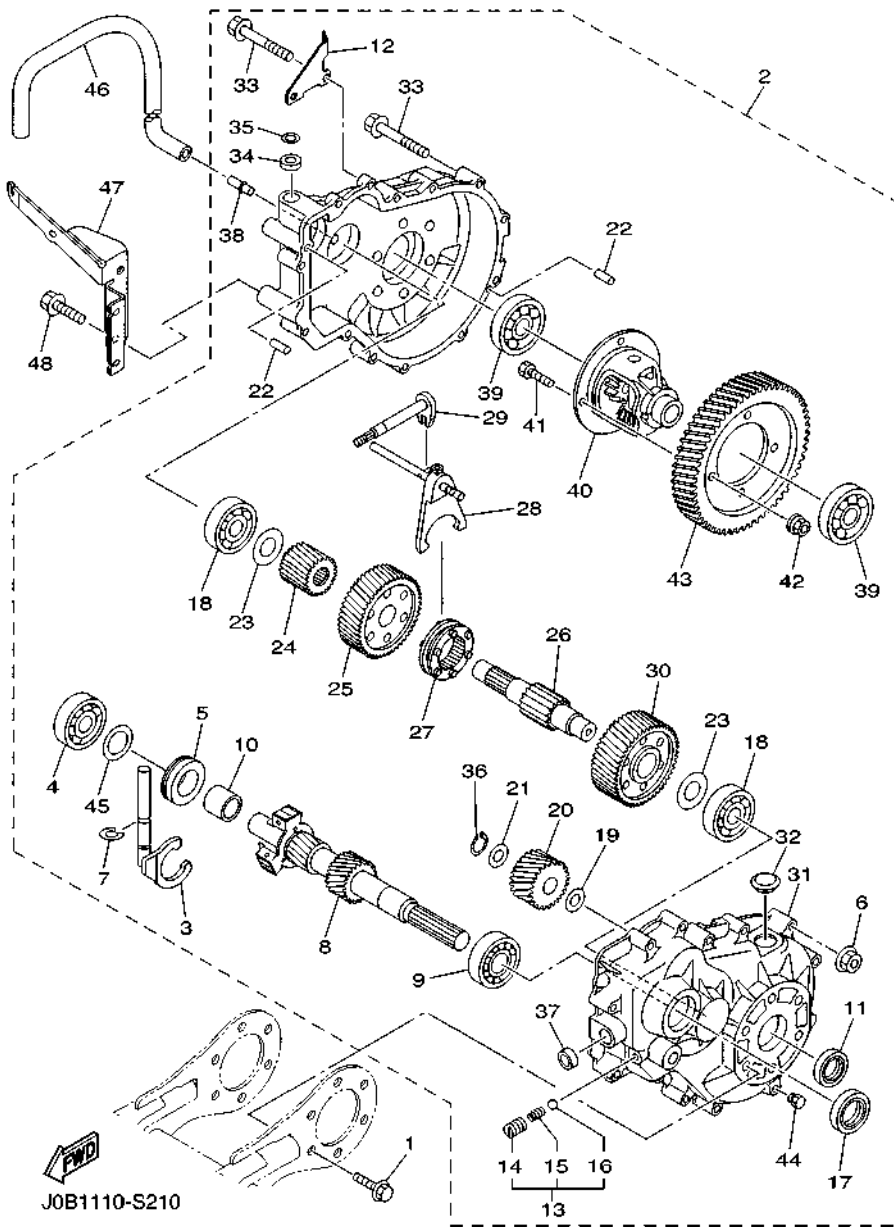


FIG. 22 TRANSMISSION

REF. NO.	PART NO.	DESCRIPTION	JOB1				REMARKS
1	95812-10020	BOLT, FLANGE	6				
2	J0B-G6301-00	TRANSMISSION ASSY	1				
3	J0B-G633E-00	.BAR 1	1				
4	93306-303Y6	.BEARING	1				
5	JW8-E1923-00	.SLEEVE, GOVERNOR	1				
6	J0B-G2391-00	.NUT 1	13				
7	JU0-F722H-00	.RETAINER	1				
8	J0B-G6320-00	.INPUT SHAFT ASSY	1				
9	J0B-G6164-00	.BEARING 1	1				
10	J0B-G3127-00	.COLLAR	1				
11	J0B-G3812-00	.SEAL, DUST	2				
12	J0B-G6555-00	.BRACKET 2	1				
13	JU0-G6376-00	.SPRING SET	1				
14	90113-08803	.BOLT, SET	1				
15	90501-10852	.SPRING, COMPRESSION	1				
16	93500-06826	.BALL	1				
17	93102-25868	.OIL SEAL	1				
18	J0B-G580H-00	.BEARING ASSY	2				
19	90201-208H9	.WASHER, PLATE	1				
20	J0B-G6356-00	.GEAR, IDLER	1				
21	90201-208J0	.WASHER, PLATE	1				
22	93606-10842	.PIN, DOWEL	2				
23	J0B-G1297-00	.WASHER, 1	2				
24	J0B-G6316-00	.GEAR, PINION 1	1				
25	J0B-G6326-00	.GEAR, WHEEL 1	1				
26	J0B-G633G-00	.SHAFT	1				
27	J0B-G6153-00	.COLLAR, GUIDE	1				

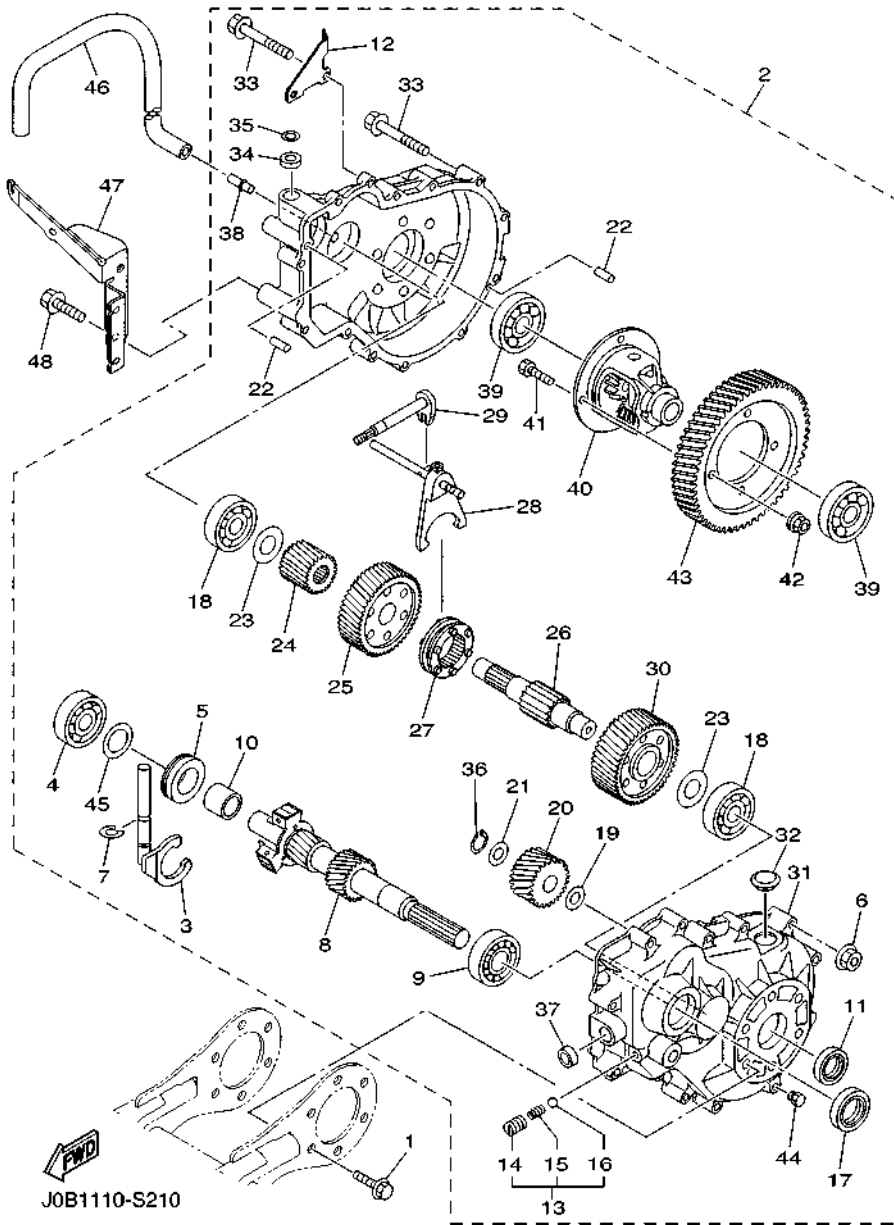
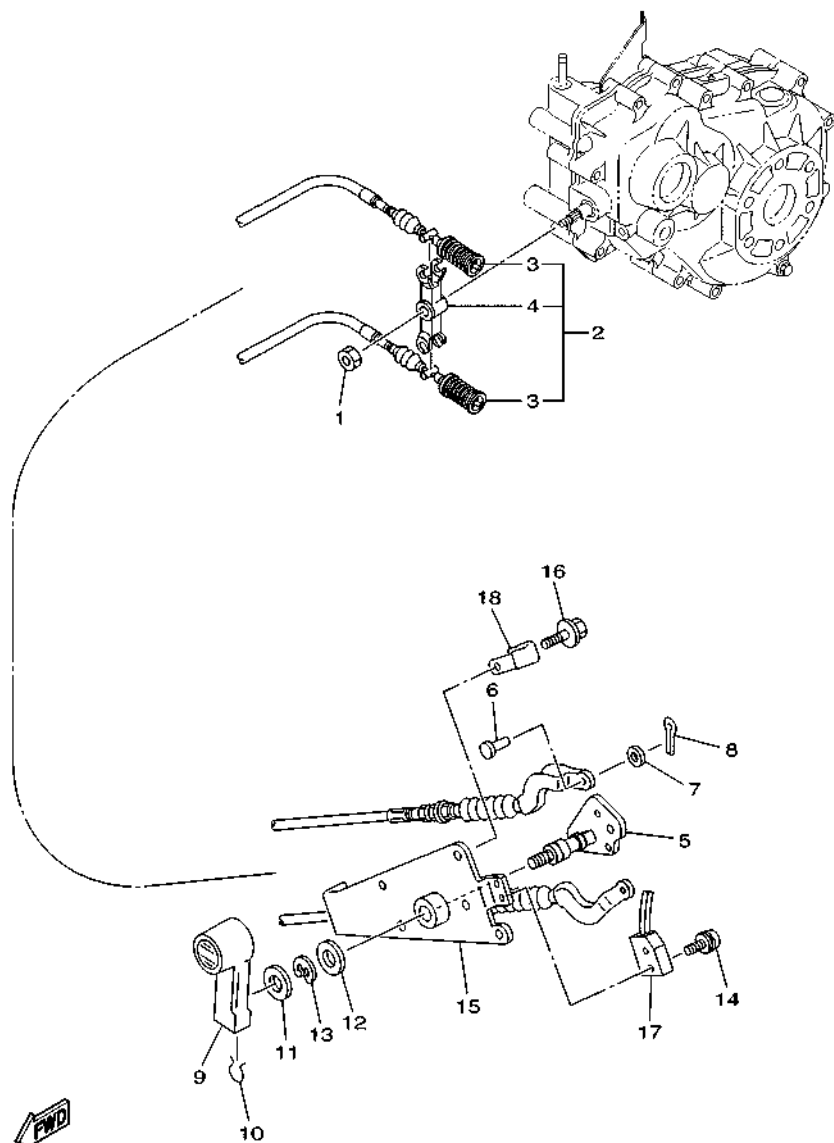


FIG. 22 TRANSMISSION

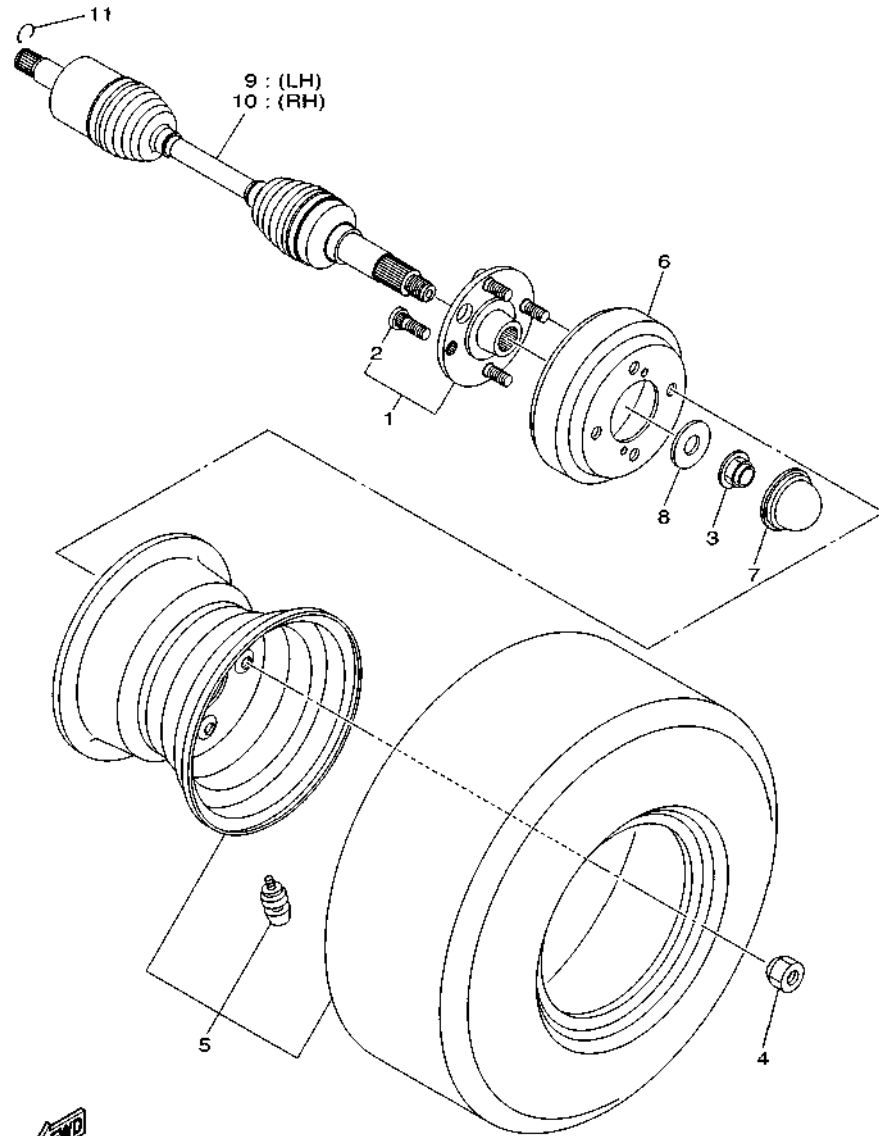
REF. NO.	PART NO.	DESCRIPTION	JOB1				REMARKS
28	J0B-G638E-00	.BAR, SHIFT 2	1				
29	J0B-G638A-00	.BAR, SHIFT 1	1				
30	J0B-G6327-00	.GEAR, WHEEL 2	1				
31	J0B-G6314-00	.COVER, TRANSMISSION	1				
32	JN3-G6432-00	.STOPPER	1				
33	J0B-G1148-00	.BOLT	13				
34	93109-10820	.OIL SEAL	1				
35	JU0-F723F-00	.WASHER, SPECIAL	1				
36	JW8-F47E3-00	.CIRCLIP	1				
37	93104-11829	.OIL SEAL	1				
38	JW8-G5378-00	.NIPPLE, HOSE	1				
39	93306-007Y0	.BEARING	2				
40	J0B-G6410-00	.DIFFERENTIAL ASSY.	1				
41	JC1-G2544-00	.BOLT	4				
42	90170-10840	.NUT	4				
43	J0B-G6355-00	.GEAR, PRIMARY	1				
44	J0B-G5148-00	.PLUG, DRAIN	1				
45	JN3-G6344-00	.SHIM, 0.76MM (0.030IN)	1				
46	JW8-G2541-00	PIPE 1	1				
47	J0B-G6556-00	BRACKET 3	1				
48	90105-08867	BOLT, FLANGE	2				

FIG. 23 SHIFTER & CABLES



J0B1110-S220

REF. NO.	PART NO.	DESCRIPTION	JOB1				REMARKS
1	95602-08100	NUT, U	1				
2	J0B-G8330-00	CABLE END ASSY	1				
3	J0B-G6371-00	.WIRE, SHIFT	2				
4	JW8-G6383-10	.LEVER, SHIFT 2	1				
5	J0B-G6382-00	LEVER, SHIFT 1	1				
6	91702-06014	PIN, CLEVIS	2				
7	92902-06600	WASHER, PLATE	2				
8	91402-20012	PIN, COTTER	2				
9	JN3-G6381-00	KNOB, SHIFT	1				
10	JN3-G6376-00	SPRING SET	1				
11	90201-208S8	WASHER, PLATE	1				
12	90201-198S7	WASHER, PLATE	1				
13	99009-19400	CIRCLIP	1				
14	97602-04316	SCREW, PAN HEAD WITH WASHER	2				
15	J0B-G6372-00	BRACKET, SHIFT WIRE	1				
16	90105-06831	BOLT, FLANGE	3				
17	JN3-82617-01	SWITCH	1				
18	90465-06038	CLAMP	1				



J0B1110-S230

FIG. 24 REAR AXLE & WHEEL

REF. NO.	PART NO.	DESCRIPTION	JOB1				REMARKS
1	J0B-F5310-01	HUB ASSY	2				
2	90114-12004	.BOLT, SERRATION	4				
3	90179-20016	NUT	2				
4	90179-12262	NUT	8				
5	JW1-F5100-01	WHEEL ASSY (18X8.50-8-4PLY)	2				
6	JW8-G6521-00	DRUM	2				
7	JW8-F5118-00	COVER, HUB DUST	2				
8	90201-20035	WASHER, PLATE	2				
9	J0B-F518F-00	DRIVE SHAFT ASSY	1				
10	J0B-F518G-00	DRIVE SHAFT ASSY	1				
11	93450-22119	CIRCLIP	2				

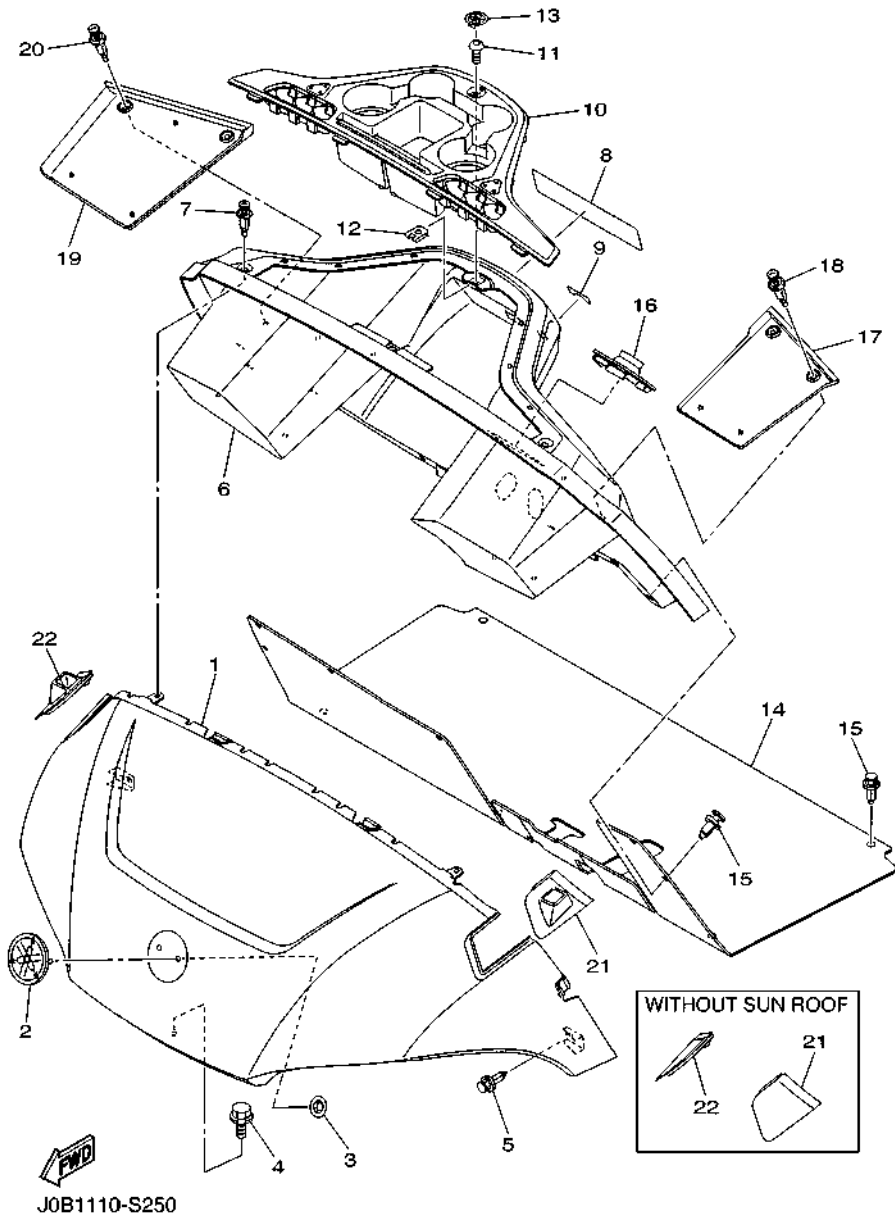


FIG. 26 BODY

REF. NO.	PART NO.	DESCRIPTION	JOB1		REMARKS
1	J0B-K8115-A0	COWL, FRONT	1		UR FOR BW1
	J0B-K8115-10	COWL, FRONT	1		UR FOR VDGS1
	J0B-K8115-00	COWL, FRONT	1		UR FOR DNBME
	J0B-K8115-20	COWL, FRONT	1		UR FOR LNYM8
	J0B-K8115-30	COWL, FRONT	1		UR FOR LNMP
	J0B-K8115-40	COWL, FRONT	1		UR FOR DYNM2
	J0B-K8115-B0	COWL, FRONT	1		UR FOR NYS4
	J0B-K8115-50	COWL, FRONT	1		UR FOR HTR
	J0B-K8115-60	COWL, FRONT	1		UR FOR DNMC
2	J0B-F4161-00	EMBLEM 1	1		
3	JU0-K7573-00	NUT, SPECIAL	2		
4	90105-06831	BOLT, FLANGE	1		
5	90269-06804	RIVET	2		
6	J0B-K8114-00	PANEL, FRONT	1		
7	90269-07803	RIVET	3		
8	J0B-K7768-00	LABEL, WARNING 8	1		ENGLISH
9	J0B-K8282-00	PLATE, SWITCH PANEL	1		
10	J0B-K835E-00	HOLDER, BEVERAGE	1		
11	90111-05805	BOLT,HEX. SOCKET BUTTON	1		
12	90183-05008	NUT, SPRING	1		
13	J0B-H2370-00	PLUG CAP ASSY	1		
14	J0B-K8233-00	MAT, MAIN FLOOR 3	1		
15	90269-09003	RIVET	12		
16	J0B-K8273-00	COVER, HOLE	1		
17	J0B-K8243-00	MAT, REAR BODY SIDE (LH)	1		
18	90269-07803	RIVET	2		
19	J0B-K8244-00	MAT, REAR BODY SIDE (RH)	1		

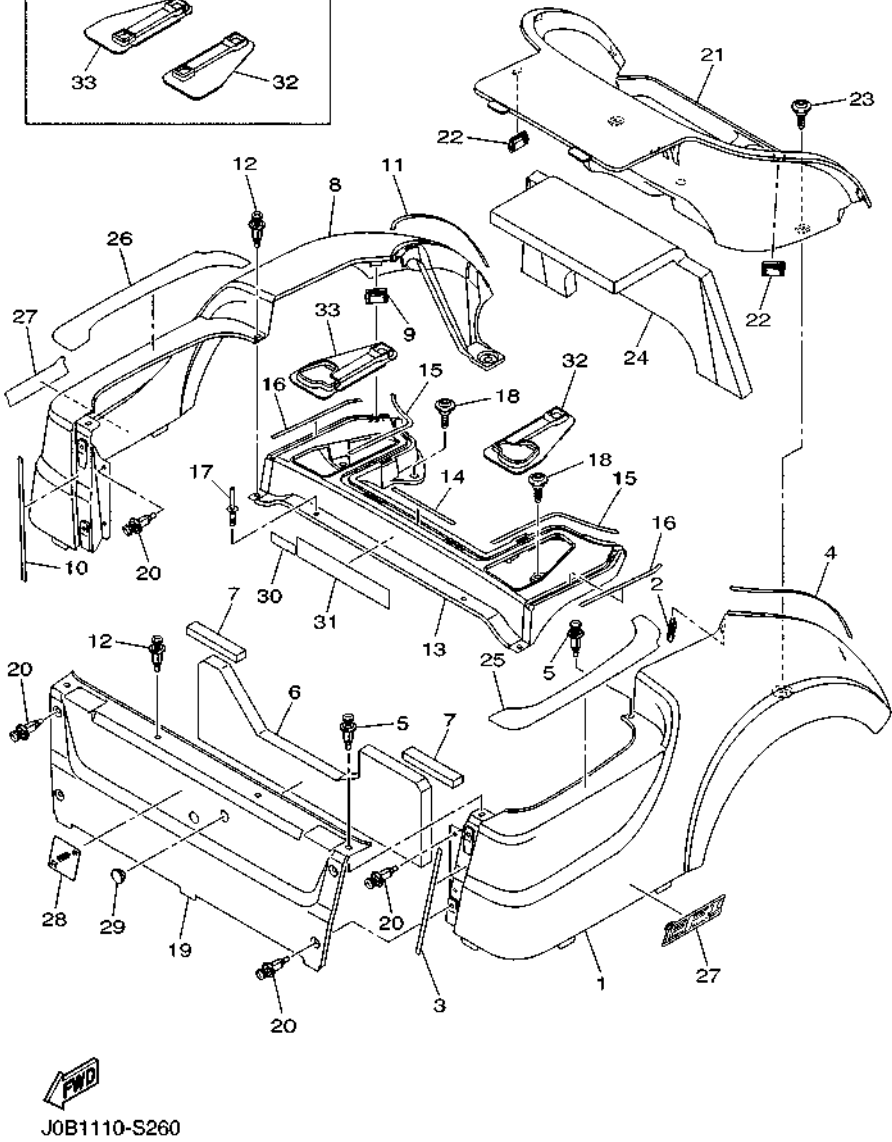
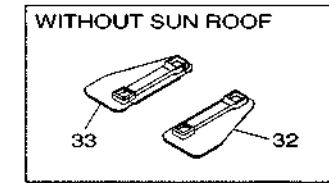
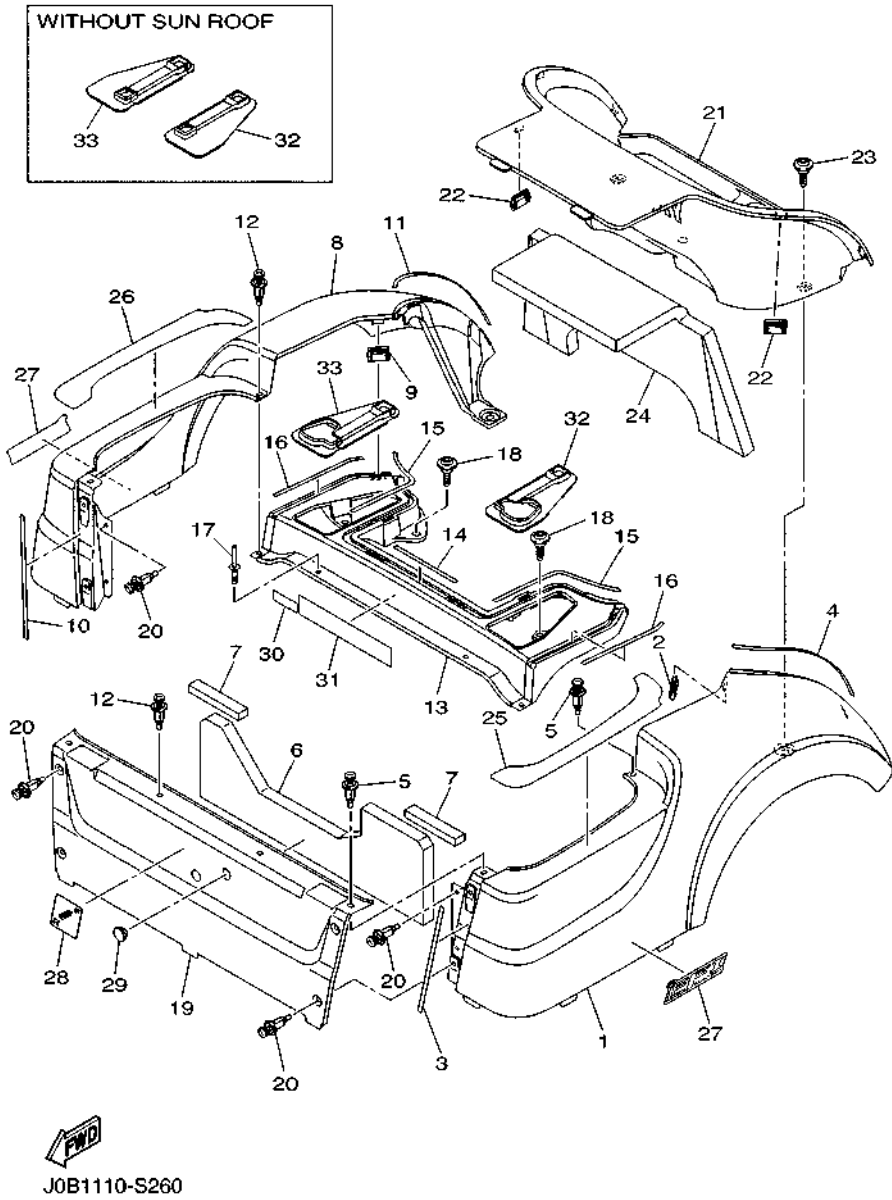


FIG. 27 BODY 2

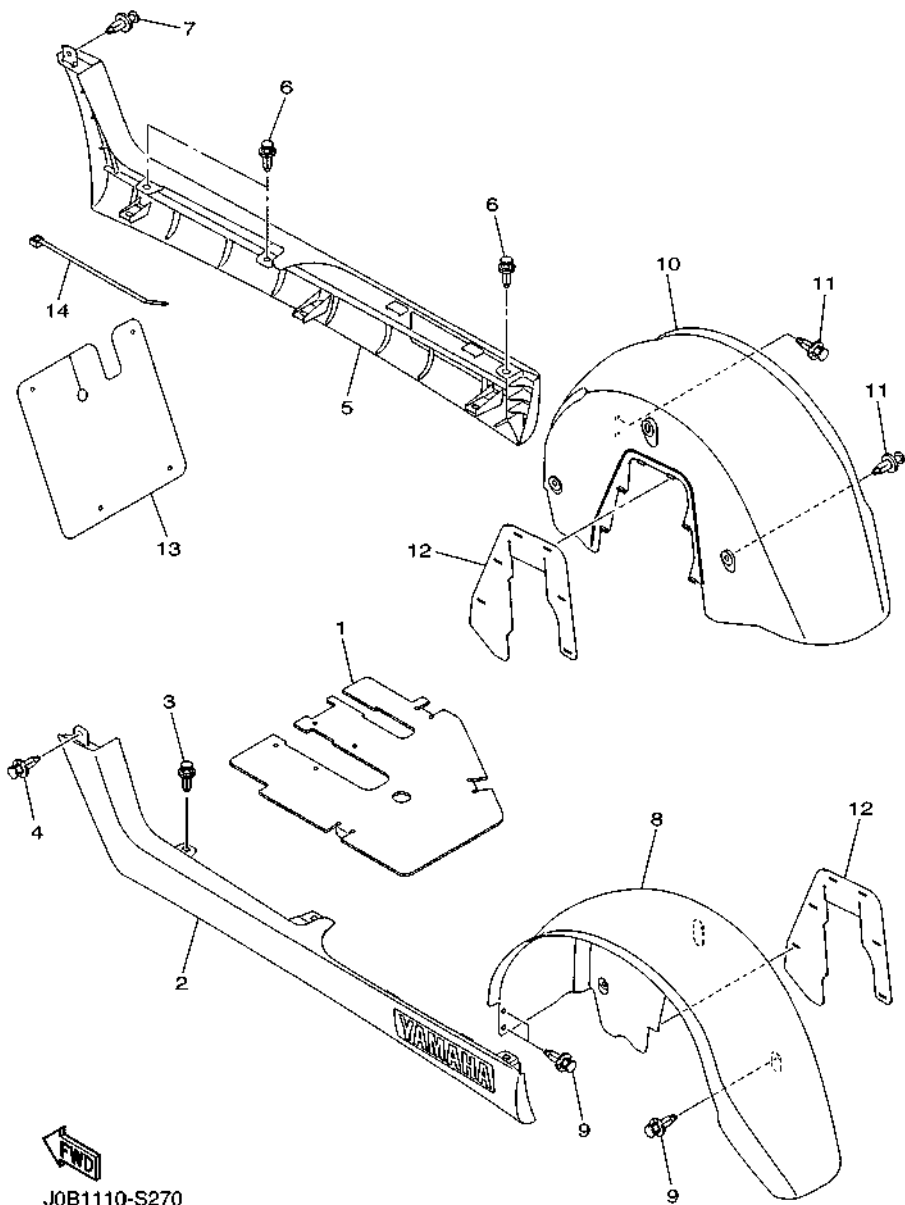
REF. NO.	PART NO.	DESCRIPTION	JOB1	REMARKS
1	J0B-K8111-A0	PANEL, BODY SHELL	1	UR FOR BW1
	J0B-K8111-10	PANEL, BODY SHELL	1	UR FOR VDGS1
	J0B-K8111-00	PANEL, BODY SHELL	1	UR FOR DNBME
	J0B-K8111-20	PANEL, BODY SHELL	1	UR FOR LNYM8
	J0B-K8111-30	PANEL, BODY SHELL	1	UR FOR LNMP
	J0B-K8111-40	PANEL, BODY SHELL	1	UR FOR DYNM2
	J0B-K8111-B0	PANEL, BODY SHELL	1	UR FOR NYS4
	J0B-K8111-50	PANEL, BODY SHELL	1	UR FOR HTR
	J0B-K8111-60	PANEL, BODY SHELL	1	UR FOR DNMC
2	J0B-F3447-00	CLIP	1	
3	J0B-K814E-00	SEAL, BODY SIDE 1	1	
4	J0B-K814F-00	SEAL, BODY SIDE 2	1	
5	90269-07803	RIVET	3	
6	J0B-K8251-00	PAD, SILENCER 1	1	
7	J0D-K825G-00	PAD, SILENCER 13	2	
8	J0B-K8112-A0	PANEL, BODY SHELL	1	UR FOR BW1
	J0B-K8112-10	PANEL, BODY SHELL	1	UR FOR VDGS1
	J0B-K8112-00	PANEL, BODY SHELL	1	UR FOR DNBME
	J0B-K8112-20	PANEL, BODY SHELL	1	UR FOR LNYM8
	J0B-K8112-30	PANEL, BODY SHELL	1	UR FOR LNMP
	J0B-K8112-40	PANEL, BODY SHELL	1	UR FOR DYNM2
	J0B-K8112-B0	PANEL, BODY SHELL	1	UR FOR NYS4
	J0B-K8112-50	PANEL, BODY SHELL	1	UR FOR HTR
	J0B-K8112-60	PANEL, BODY SHELL	1	UR FOR DNMC
9	J0B-F3447-00	CLIP	1	
10	J0B-K814E-00	SEAL, BODY SIDE 1	1	
11	J0B-K814F-00	SEAL, BODY SIDE 2	1	

FIG. 27 BODY 2



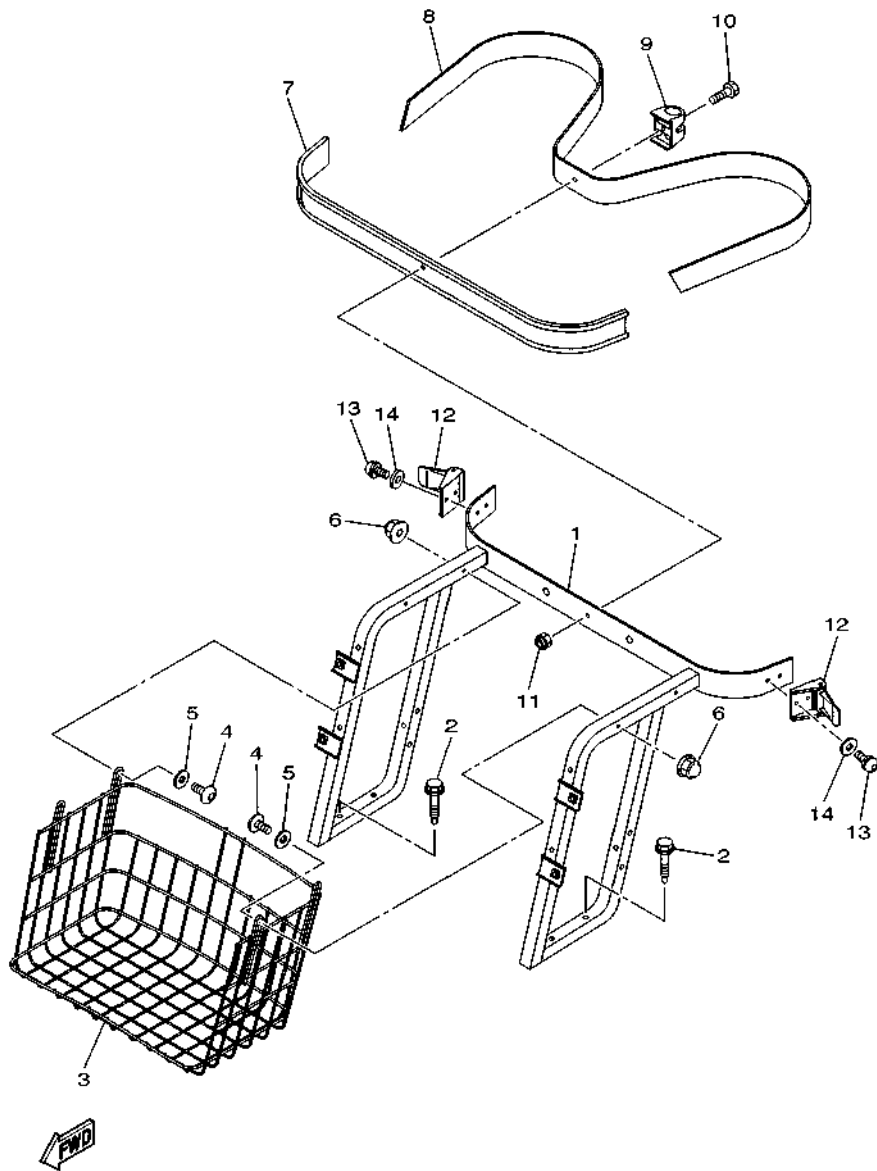
REF. NO.	PART NO.	DESCRIPTION	JOB1			REMARKS
12	90269-07803	RIVET	3			
13	J0B-K819H-00	SHELL, REAR BODY	1			
14	J0B-K814R-00	SEAL, BODY SIDE 3	1			
15	J0B-K814T-00	SEAL, BODY SIDE 4	2			
16	J0B-K814U-00	SEAL, BODY SIDE	2			
17	JW7-K7329-00	RIVET	2			
18	J0B-F1738-00	BOLT	4			
19	J0B-K8141-A0	PANEL, INTERMEDIATE BODY	1			UR FOR BW1
	J0B-K8141-10	PANEL, INTERMEDIATE BODY	1			UR FOR VDGS1
	J0B-K8141-00	PANEL, INTERMEDIATE BODY	1			UR FOR DNBME
	J0B-K8141-20	PANEL, INTERMEDIATE BODY	1			UR FOR LNVM8
	J0B-K8141-30	PANEL, INTERMEDIATE BODY	1			UR FOR LNMP
	J0B-K8141-40	PANEL, INTERMEDIATE BODY	1			UR FOR DYNM2
	J0B-K8141-B0	PANEL, INTERMEDIATE BODY	1			UR FOR NYS4
	J0B-K8141-50	PANEL, INTERMEDIATE BODY	1			UR FOR HTR
	J0B-K8141-60	PANEL, INTERMEDIATE BODY	1			UR FOR DNMC
20	90269-07803	RIVET	8			
21	J0B-K8237-01	COVER, REAR FLOOR	1			
22	J0B-F3447-00	CLIP	4			
23	J0B-F1738-00	BOLT	2			
24	J0B-K8255-01	PAD, SILENCER 5	1			
25	J0B-F2873-01	SEAL 1	1			
26	J0B-F2874-01	SEAL 2	1			
27	J0B-F1781-00	EMBLEM 1	2			
28	JW1-K7741-00	INDICATOR 1	1			
29	JR1-K8139-00	CAP, END	1			
30	JN6-H2377-00	LABEL	1			

FIG. 28 BODY FITTING



REF. NO.	PART NO.	DESCRIPTION	JOB1				REMARKS
1	J0B-K8271-00	SERVICE LID, PEDAL	1				
2	J0B-K818A-00	PROTECTOR, SIDE PLATE	1				
3	90269-09003	RIVET	3				
4	90269-06804	RIVET	1				
5	J0B-K818B-00	PROTECTOR, SIDE PLATE 2	1				
6	90269-09003	RIVET	3				
7	90269-06804	RIVET	1				
8	J0B-K8191-00	PANEL, REAR FENDER 1	1				
9	90269-06804	RIVET	5				
10	J0B-K8192-00	PANEL, REAR FENDER 2	1				
11	90269-06804	RIVET	5				
12	J0B-K8197-01	FLAP, REAR FENDER	2				
13	J0B-K8187-00	FLAP, FRONT FENDER	1				
14	90464-76800	CLAMP	4				

FIG. 29 CARRIER

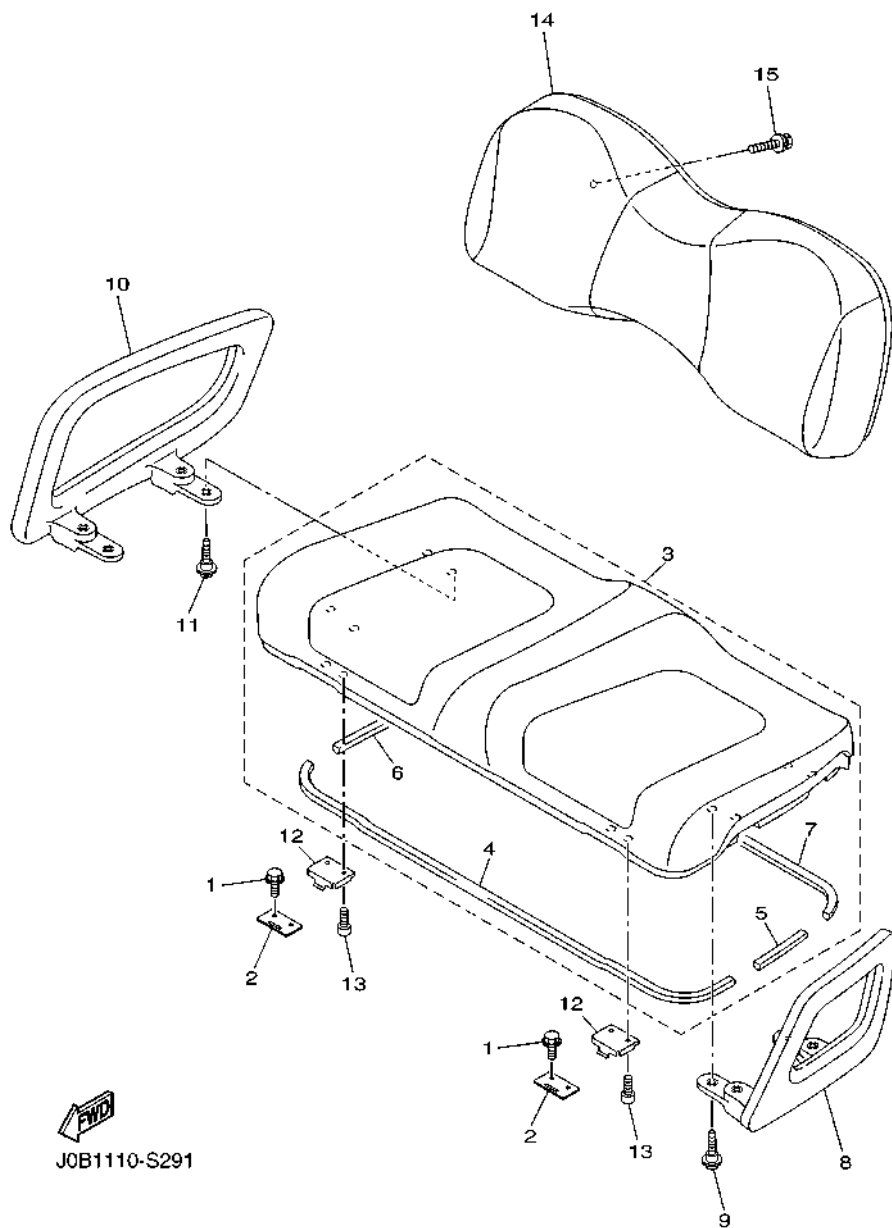


J0B1110-S280

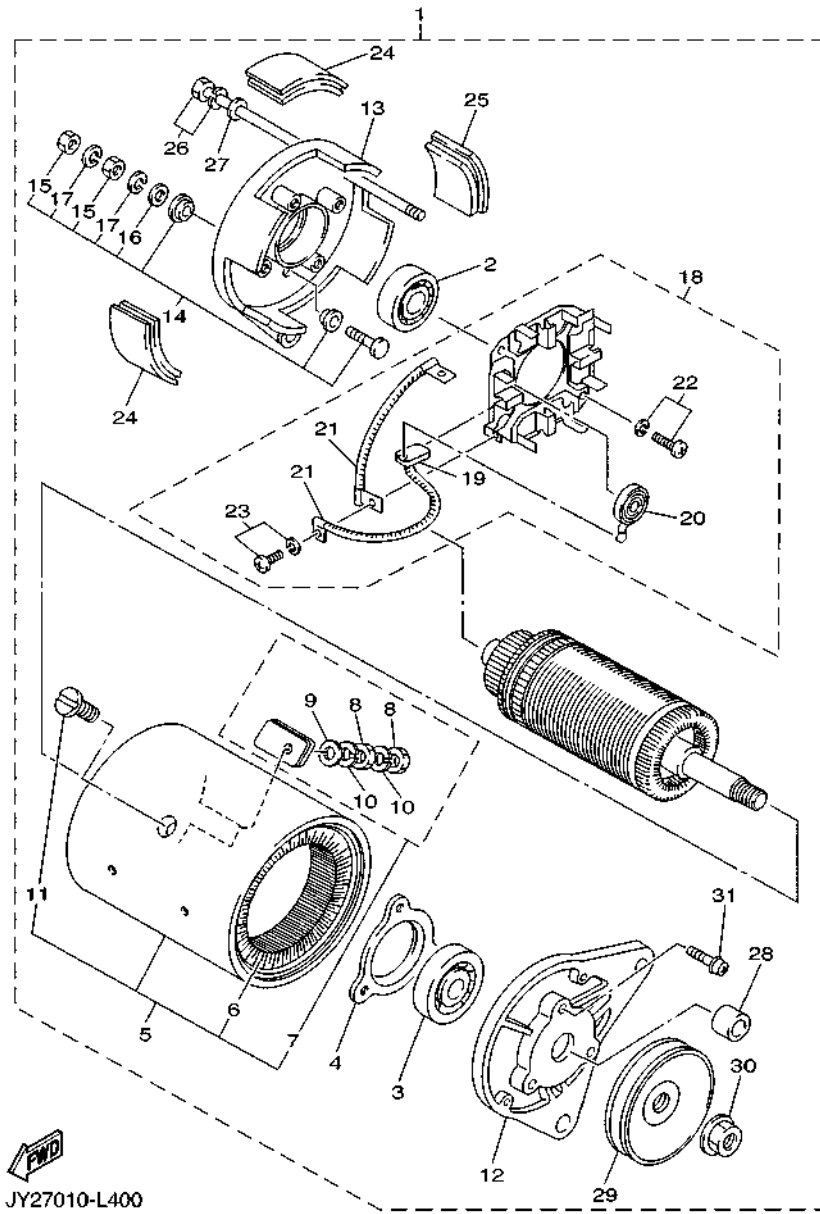
REF. NO.	PART NO.	DESCRIPTION	JOB1				REMARKS
1	J0B-K8423-00	SUPPORT, SEAT BACK	1				
2	90109-08002	BOLT	4				
3	JW1-K8340-00	LUGGAGE RACK ASSY., REAR	1				
4	92017-06040	BOLT, BUTTON HEAD	4				
5	J0B-K7389-00	WASHER	4				
6	90176-06008	NUT, CROWN	4				
7	JF2-K8356-00	PAD, BAG SUPPORT	1				
8	JN6-K8355-20	BAND	1				
9	JW1-K834G-00	HOLDER, RAKE SAND	1				
10	9708R-06020	BOLT	1				
11	90185-06836	NUT, SELF-LOCKING	1				
12	JN6-K8380-00	LOCK ASSY	2				
13	90159-06845	SCREW, WITH WASHER	4				
14	9299R-06200	WASHER	4				

FIG. 30 SEAT

REF. NO.	PART NO.	DESCRIPTION	JOB1				REMARKS
1	JW9-H1674-00	BOLT	4				
2	J0B-K8427-00	HINGE, SEAT 2	2				
3	J0B-K8401-00	SEAT SUB-ASSY,CUSHION	1				
4	J0B-K8245-00	.SEAL 1	1				
5	J0B-K8246-00	.SEAL 2	1				
6	J0B-K8247-00	.SEAL 3	1				
7	J0B-K8248-00	.SEAL 4	1				
8	J0B-K8361-00	ARM REST 1	1				
9	J0B-F1738-00	BOLT	4				
10	J0B-K8362-00	ARM REST 2	1				
11	J0B-F1738-00	BOLT	4				
12	J0B-K8426-10	HINGE, SEAT 1	2				
13	90110-06125	BOLT, HEXAGON SOCKET HEAD	4				
14	JW1-K8402-10	SEAT SUB ASSY, BACK	1				
15	90119-06808	BOLT, WITH WASHER	4				



PWC
JOB1110-S291

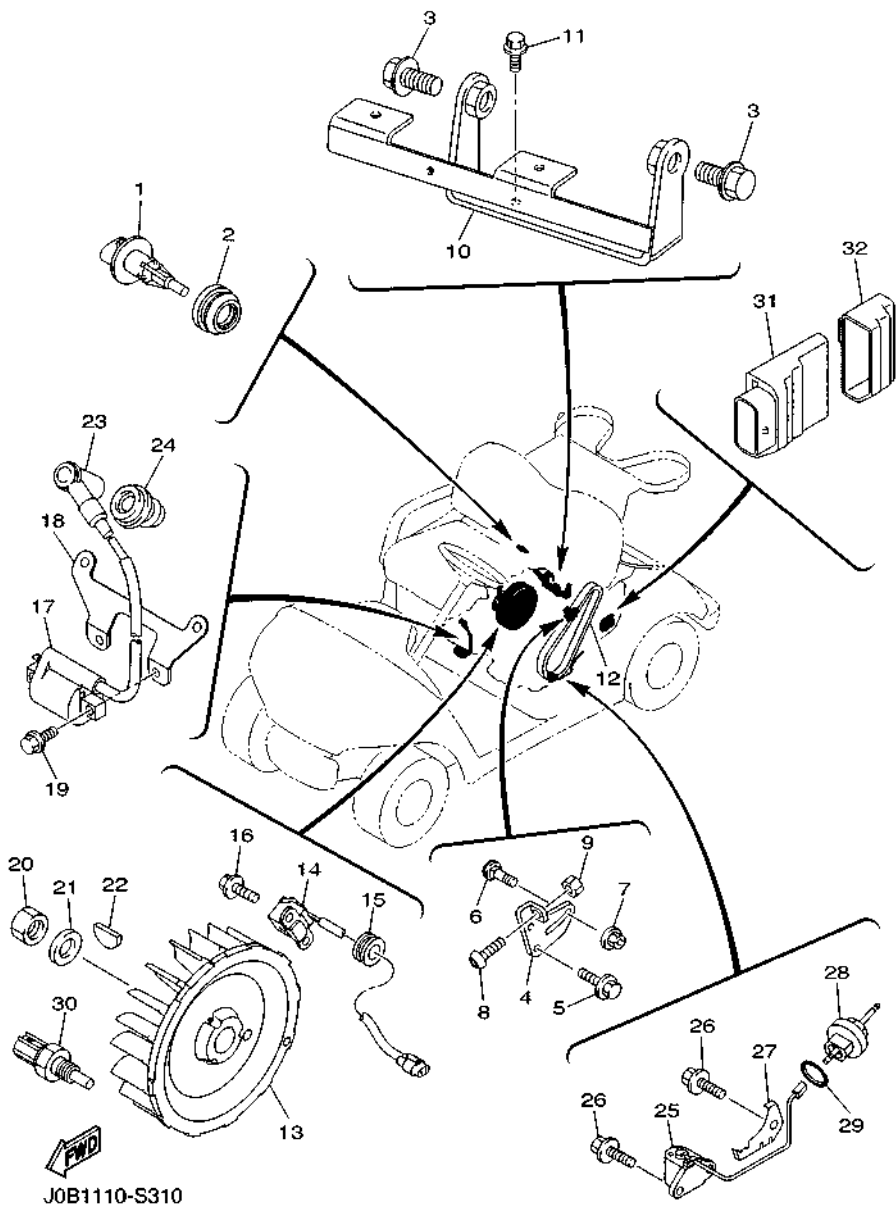


JY27010-L400

FIG. 31 STARTING MOTOR

REF. NO.	PART NO.	DESCRIPTION	JOB#				REMARKS
1	JN6-H1100-04	STARTER GENERATOR ASSY	1				
2	J10-H1157-10	.BEARING 1	1				
3	J10-H1158-10	.BEARING 2	1				
4	J10-81159-10	.HOLDER, BEARING	1				
5	JN6-H1110-10	.STATOR ASSY	1				
6	JN6-H1160-10	..FIELD COIL ASSY	1				
7	J10-81148-10	..SCREW SET 4	2				
8	9530N-06600	...NUT, HEX	2				
9	9290N-06600	...WASHER	1				
10	92907-06100	...WASHER, SPRING	2				
11	J10-81146-10	..SCREW 2	4				
12	JN6-H1165-00	.BRACKET, STARTER GENERATOR 1	1				
13	J10-H1166-10	.BRACKET, STARTER GENERATOR 2	1				
14	J10-81147-10	.SCREW SET 3	2				
15	9530N-06600	..NUT, HEX	2				
16	9290N-06600	..WASHER	1				
17	92907-06100	..WASHER, SPRING	2				
18	JN6-H1119-00	.BRUSH HOLDER ASSY	1				
19	JF2-H1111-00	..BRUSH	4				
20	JN6-H1113-00	..SPRING, BRUSH	4				
21	J10-81115-10	..WIRE, LEAD	2				
22	9850N-05016	..SCREW, PAN HEAD	2				
23	9850N-04010	..SCREW, PAN HEAD	4				
24	J10-81129-10	.COVER, BRUSH	3				
25	J10-81139-10	.COVER, BRUSH 2	1				
26	J10-H1145-10	..SCREW 1	2				
27	9290N-06600	..WASHER	2				

FIG. 32 ELECTRICAL 1



REF. NO.	PART NO.	DESCRIPTION	JOB1				REMARKS
1	5CA-85886-00	SENSOR, AIR TEMPRATURE	1				
2	5CA-14435-00	GROMMET	1				
3	95812-12030	BOLT, FLANGE	2				
4	JW1-H1170-11	TENSIONER ASSY	1				
5	95822-08020	BOLT, FLANGE	2				
6	90109-08827	BOLT	1				
7	95702-08500	NUT, FLANGE	1				
8	92012-06030	BOLT, BUTTON HEAD	1				
9	95302-06600	NUT, HEXAGON	1				
10	JN6-H1171-11	BRACKET, STARTER GENERATOR	1				
11	95822-08020	BOLT, FLANGE	2				
12	JW1-H1173-02	BELT	1				
13	JC0-85650-10	ROTOR ASSY	1				
14	JB2-81670-00	PICK-UP ASSY	1				
15	90480-20564	GROMMET	1				
16	95822-06016	BOLT, FLANGE	2				
17	1S4-82310-00	IGNITION COIL ASSY	1				
18	JC0-82316-00	BRACKET, IGNITION COIL	1				
19	95822-06016	BOLT, FLANGE	2				
20	95302-18600	NUT, HEXAGON	1				
21	90201-18620	WASHER, PLATE	1				
22	90280-04052	KEY, WOODRUFF	1				
23	JN6-82370-00	PLUG CAP ASSY	1				
24	JE8-82372-00	SEAL, PLUG CAP	1				
25	JT0-85720-00	OIL LEVEL GAUGE ASSY	1				
26	95822-06012	BOLT, FLANGE	3				
27	JT0-85724-00	CLAMP	1				

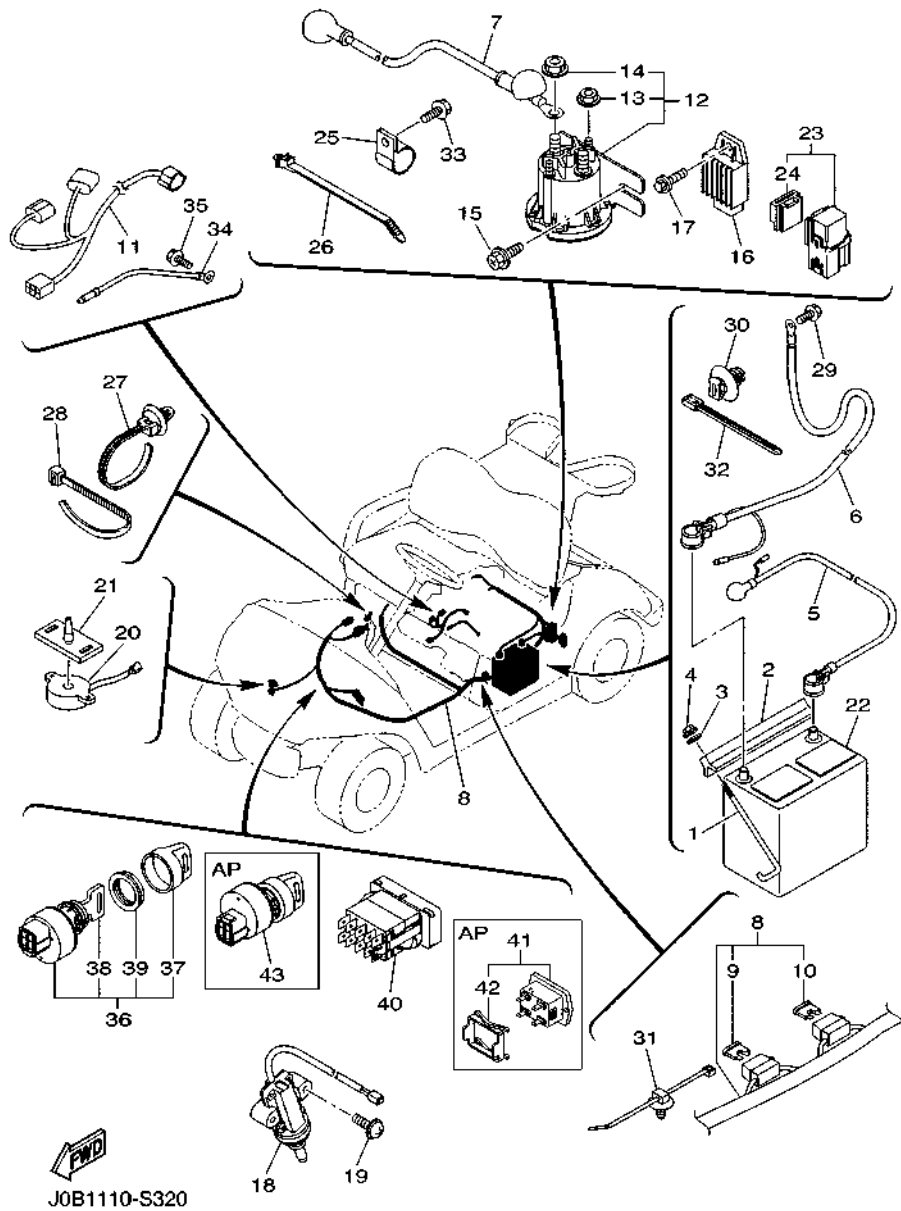
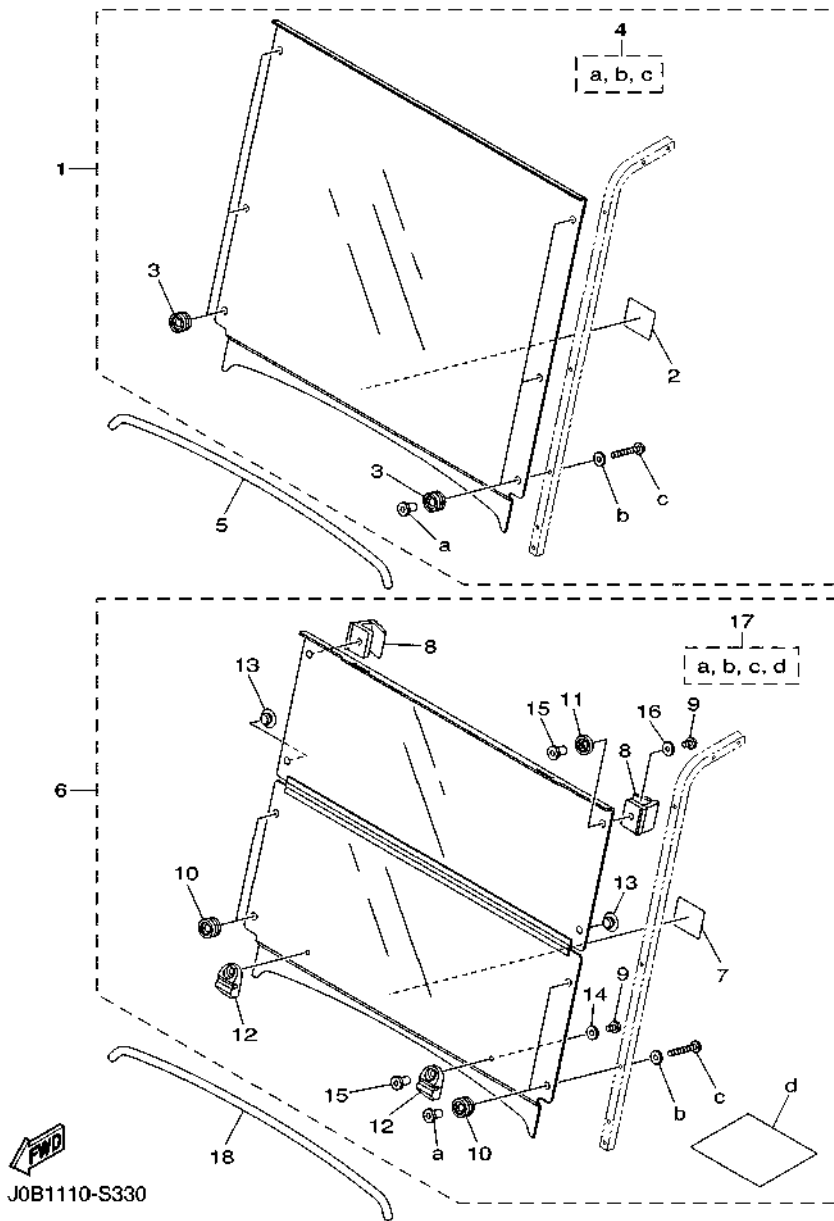


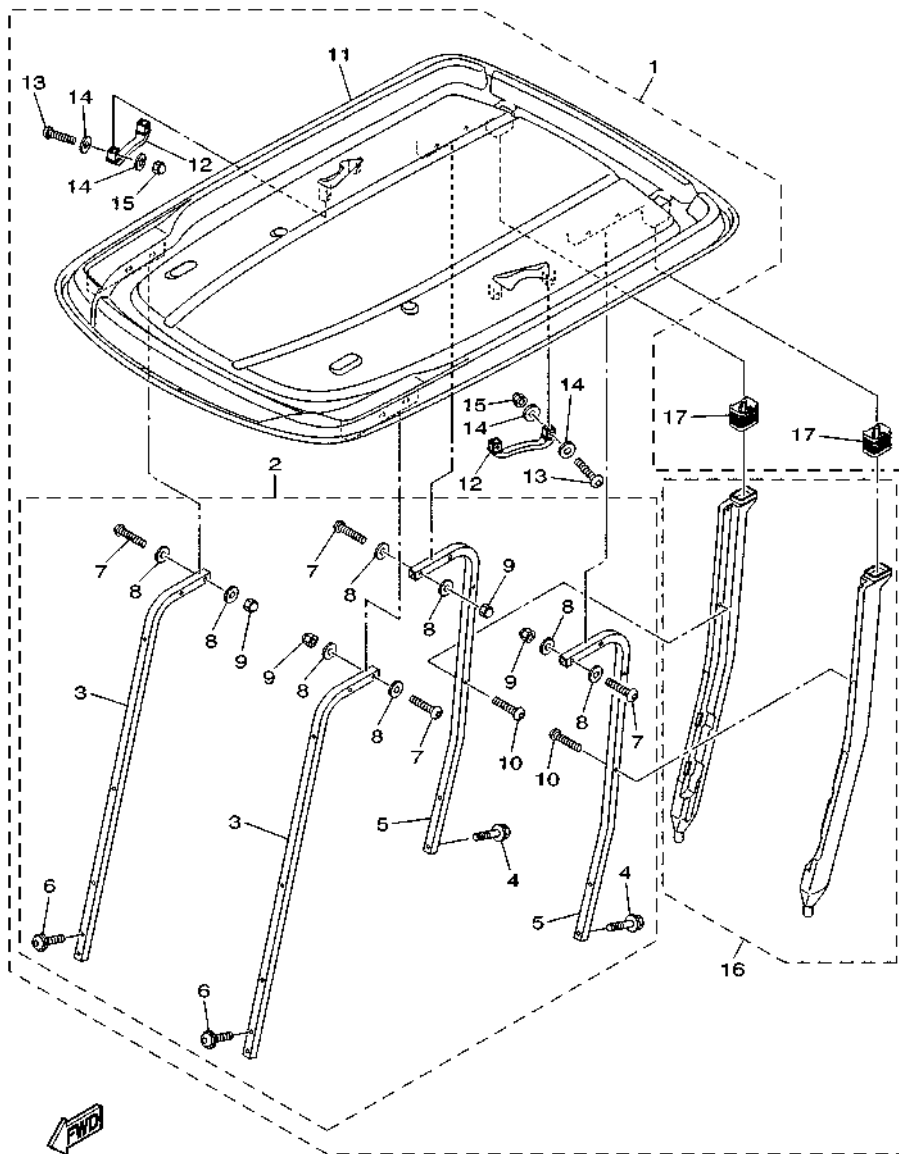
FIG. 33 ELECTRICAL 2

REF. NO.	PART NO.	DESCRIPTION	JOB1		REMARKS
1	JW1-H2133-00	SCREW, FITTING	2		
2	J55-H2136-00	PLATE, BATTERY FITTING	1		
3	92902-06200	WASHER	2		
4	95702-06500	NUT, FLANGE	2		
5	J0B-H2115-00	WIRE, PLUS LEAD	1		
6	J0B-H2116-01	WIRE, MINUS LEAD	1		
7	J0B-H2117-00	WIRE, LEAD	1		
8	J0B-H2590-01	WIRE HARNESS ASSY	1		
9	JU7-H2151-00	.FUSE (20 A)	1		
10	JN6-H2151-00	.FUSE (10A)	1		
11	J0B-82149-01	WIRE, LEAD 3	1		
12	JW1-H1950-00	RELAY ASSY	1		
13	90179-05807	.NUT	2		
14	90179-08824	.NUT	2		
15	90105-06831	BOLT, FLANGE	2		
16	JF2-81910-10	VOLTAGE REGULATOR ASSY	1		
17	90105-06870	BOLT, FLANGE	1		
18	JF7-82817-22	SWITCH	1		
19	97602-05225	SCREW, PAN HEAD WITH WASHER	2		
20	JR1-H3383-02	BUZZER	1		
21	JN6-H3386-01	STAY, BUZZER	1		
22	*	BATTERY ASSY (GC-24, 12V)	1		LM
23	1TP-81950-00	RELAY ASSY (1TP-00)	1		
24	5EA-81952-00	.HOLDER, RELAY	1		
25	90461-14108	CLAMP	1		
26	90464-09823	CLAMP	1		
27	90464-20005	CLAMP	1		

FIG. 34 ALTERNATE FOR WINDSHIELD



REF. NO.	PART NO.	DESCRIPTION	JOB1				REMARKS
1	J0B-K7200-00	WINDSHIELD ASSY	1				UR CLEAR
	J0B-K7200-10	WINDSHIELD ASSY	1				UR SMOKE
2	J0B-K7458-00	.LABEL, WARNING	1				
3	J0B-K7237-00	.GROMMET	6				
4	J0B-K7240-00	.WIND SHIELD HARDWARE KIT 1	1				
5	J0B-K7213-00	TRIM, UPPER	1				
6	J0B-K7200-20	WINDSHIELD ASSY	1				UR CLEAR
	J0B-K7200-30	WINDSHIELD ASSY	1				UR SMOKE
7	J0B-K7458-00	.LABEL, WARNING	1				
8	J0B-K7173-20	.LEVER, LATCH 1	2				
9	J0B-K7258-00	.SCREW, 2	4				
10	J0B-K7237-00	.GROMMET	2				
11	J0B-K7247-00	.GROMMET, W/S 2	2				
12	J0B-K7257-00	.GROMMET, W/S 3	2				
13	J0B-K7238-00	.DAMPER	2				
14	J0B-K7218-00	.WASHER 1	2				
15	J0B-K7217-00	.NUT, WIND SHIELD	4				
16	J0B-K7219-00	.WASHER 2	2				
17	J0B-K7240-20	.WIND SHIELD HARDWARE KIT 1	1				
18	J0B-K7213-00	TRIM, UPPER	1				



J1B1400-S151

FIG. 35 ALTERNATE FOR SUN ROOF

REF. NO.	PART NO.	DESCRIPTION	JOB1		REMARKS
1	J0B-K84A0-00	SUN TOP KIT	1		UR AP TAN
	J0B-K84A0-10	SUN TOP KIT	1		UR AP BLACK
2	J0B-K84A2-00	.HARDWARE KIT, SUN TOP	1		
3	J0B-K8312-00	..SUPPORT, SUN ROOF 1	2		
4	JW1-K8388-00	..BOLT, ROOF 1	4		
5	JW1-K8313-01	..SUPPORT, SUN ROOF 2	2		
6	J0B-K8388-00	..BOLT, ROOF 1	4		
7	JU0-K8388-00	..BOLT, ROOF 1	8		
8	JW1-F1549-01	..WASHER, FENDER MOLD	16		
9	JU0-K8398-00	..NUT, ROOF 1	8		
10	JW1-K7387-00	..SCREW	4		
11	JW1-K8314-10	..COVER, SUN ROOF	1		UR TAN
	JW1-K8314-20	..COVER, SUN ROOF	1		UR BLACK
12	JW1-K8214-00	..GRIP, HAND	2		
13	JU0-K8388-00	..BOLT, ROOF 1	4		
14	JW1-F1549-01	..WASHER, FENDER MOLD	8		
15	JU0-K8398-00	..NUT, ROOF 1	4		
16	J0B-F417A-00	..DRAIN TUBE ASSY	1		
17	JW1-F414G-10	SEAL	2		

NUMERICAL INDEX

PART NO.	REF. NO.	PART NO.	REF. NO.	PART NO.	REF. NO.	PART NO.	REF. NO.	PART NO.	REF. NO.	PART NO.	REF. NO.
JT0-11111-00	2 - 1	52B-14147-00	7 - 8	JN6-82370-00	32 - 23	J0B-F2171-01	11 - 35	JC0-F4111-01	15 - 1	JW8-F7119-00	17 - 28
JN6-11116-00	2 - 10	5CA-14147-00	7 - 9	JE8-82372-00	32 - 24	J0B-F2210-00	11 - 9	JW1-F4112-00	15 - 3	JW8-F7121-00	17 - 13
JN6-11133-10	2 - 2	3B4-14424-00	6 - 14	JE8-82372-00	7 - 2		11 - 21	J0B-F413G-00	35 - 17	JW9-F7200-21	17 - 2
JR7-11163-10	2 - 18	J0B-14430-00	8 - 7	JC0-82519-00	33 - 34	5UG-F2465-10	33 - 30	J0B-F413J-00	35 - 18	JW8-F7213-20	17 - 34
JN6-11168-00	2 - 11	5CA-14435-00	32 - 2	JN3-82617-01	23 - 17	J0B-F2501-00	12 - 1	JW1-F414G-10	35 - 19	JW8-F7217-00	17 - 32
JN6-11169-00	2 - 12	7KY-14613-01	8 - 3	JF7-82817-22	33 - 18	J0B-F253B-00	12 - 4	J0B-F4161-00	26 - 2	JW8-F7218-00	17 - 10
JT0-11181-00	2 - 3	JC0-15111-01	9 - 1	4P9-83591-00	32 - 30	J0B-F255G-00	12 - 2	7CC-F4170-01	15 - 15	JW9-F7221-00	17 - 14
JN6-11191-01	2 - 9	J38-15361-00	9 - 18	JC0-85650-10	32 - 13	J0B-F258E-00	12 - 12	J0B-F417A-00	35 - 16	JW9-F7228-00	17 - 23
JN6-11193-00	2 - 13	JT0-15362-00	32 - 28	JT0-85720-00	32 - 25	J0B-F258R-00	12 - 17	JU0-F722H-00	15 - 21	JU0-F722H-00	22 - 7
812-11198-00	9 - 6	796-15363-01	9 - 16	JT0-85724-00	32 - 27	J0B-F2873-01	27 - 25	J0B-F4217-00	15 - 5	JW9-F7231-10	17 - 18
JN6-11400-00	3 - 1	JN6-15411-01	9 - 8	5CA-85886-00	32 - 1	J0B-F2874-01	27 - 26	J0B-F4314-00	15 - 18	JW9-F7232-00	17 - 19
JN6-11454-10	3 - 8	JY2-15451-00	9 - 12	J0B-E1166-00	2 - 16	J0B-F3113-00	11 - 14	J0B-F4316-00	15 - 19	JU0-F723F-00	22 - 35
JR7-11610-00	3 - 3	J0B-19001-10	1 - 1	JW8-E1923-00	22 - 5		11 - 26	J0B-F4317-00	15 - 20	JW9-F7245-10	17 - 30
JR7-11610-10	3 - 3	JT0-21481-00	10 - 5	J0B-E2691-00	5 - 7	J0B-F3123-01	12 - 20	JU5-F4375-00	15 - 4	JW9-F7246-00	17 - 46
JR7-11610-20	3 - 3	401-22128-01	13 - 16	J0B-E4411-01	6 - 13	JW7-F312H-00	17 - 5	JW8-F4486-00	17 - 44	JW8-F7280-00	18 - 1
JR7-11631-00-A0	3 - 2	2NL-23448-00	13 - 9	J0B-E4412-00	6 - 10	J0B-F3133-02	12 - 24		17 - 48	JW8-F7281-00	18 - 4
583-11633-00	3 - 4	5KM-23448-00	11 - 37	J0B-E4413-00	6 - 16	JW1-F3183-00	14 - 12	JW1-F4610-00	15 - 2		18 - 15
JN6-11193-00	3 - 2	2NL-23517-00	13 - 11	J0B-E4437-00	6 - 21	JW8-F3183-00	17 - 16	JW1-F467K-00	14 - 23	JW8-F7286-00	18 - 9
JR7-11636-00	3 - 2	5UG-23517-10	11 - 38	J0B-E4451-01	6 - 11	J0B-F3350-00	13 - 14	JW8-F47E3-00	22 - 36		18 - 20
JN6-11650-10	3 - 6	2HR-23526-00	11 - 41	J0B-E4453-01	6 - 23	J0B-F3390-00	13 - 19	JW1-F5100-01	13 - 31	JW8-F7290-00	18 - 12
JN6-11654-10	3 - 7		13 - 3	JU0-E445E-00	6 - 12	JW1-F3400-00	14 - 10		24 - 5	JW8-F7316-01	17 - 31
JN6-12111-10	4 - 2	JW8-23841-01	14 - 27	J0B-E4710-01	8 - 1	J0B-F3447-00	27 - 2	JW8-F5103-00	13 - 21	JW8-F7317-00	17 - 40
J38-12117-01	4 - 6	4WM-24180-00	15 - 16	JW1-E4713-00	8 - 4		27 - 9	JW8-F5118-00	24 - 7	JW8-F7318-00	17 - 20
J38-12118-00	4 - 7	1S3-24486-00	15 - 12	J0B-E5471-00	6 - 18		27 - 22	JN6-F5118-01	13 - 29	JW8-F7322-00	17 - 15
4G0-12119-00	4 - 13	18P-24491-00	15 - 11	JW8-E7688-00	21 - 7	5UG-F3489-00	14 - 20	J0B-F518F-00	24 - 9	J0B-F7411-01	12 - 7
7RH-12121-10	4 - 3	J38-27204-00	18 - 3	J0B-F125J-00	12 - 29	JU0-F3511-20	13 - 4	J0B-F518G-00	24 - 10	J0B-F7413-01	12 - 6
JN6-12151-10	4 - 8	J38-27205-00	18 - 14	1NS-F1338-00	33 - 31	JW1-F3512-00	13 - 5	J0B-F5310-01	24 - 1	JW8-F7416-00	17 - 8
JN6-12153-10	4 - 4	J55-27260-00	18 - 19	JW8-F135J-00	20 - 7	JU0-F3521-20	13 - 12	J0B-F537W-00	11 - 16	JW8-F7426-01	17 - 17
JR7-12154-10	4 - 12	J55-27270-00	18 - 8		21 - 4	5UG-F3527-00	14 - 21		11 - 28	JW8-F7434-00	17 - 39
J38-12156-20	4 - 11	J10-27282-00	18 - 5	J0B-F1411-00	10 - 1	J0B-F3570-10	13 - 1	J0B-F53A1-01	11 - 10	JW8-F7438-00	17 - 38
22F-12159-10	4 - 9		18 - 16	J0B-F1419-01	10 - 4	JW1-F3811-03	14 - 1		11 - 22	JW8-F7445-31	17 - 33
JR7-12170-00	4 - 1	J0B-27951-00	19 - 1	J0B-F1436-00	8 - 2	JW1-F3812-00	14 - 13	JW8-F5415-00	17 - 25	JW8-F7814-21	17 - 3
JN6-12621-02	5 - 1	J38-27959-00	19 - 5	J0B-F1485-00	10 - 8	JW1-F3822-01	14 - 29	JW9-F5666-00	17 - 12		17 - 43
JR7-12634-00	5 - 9	B88-2817K-00	15 - 7	J0B-F1531-00	11 - 3	JU0-F3828-10	14 - 4	JW9-F5671-00	17 - 5	JW8-F7825-01	17 - 27
JN6-12651-01	5 - 3	J10-81115-10	31 - 21	JW1-F1549-01	35 - 8	1P0-F3833-00	14 - 26	JW9-F5672-00	17 - 4	JW8-F7850-31	17 - 1
JN6-12652-00	5 - 5	J10-81129-10	31 - 24		35 - 14	JW1-F3837-00	14 - 22	JW9-F5673-00	17 - 45	JW8-F7853-10	17 - 35
JR7-12658-00	5 - 4	J10-81139-10	31 - 25	J0B-F1738-00	12 - 9	JN3-F3838-00	14 - 6	JW8-F5681-10	16 - 6	JW9-F7871-10	17 - 36
JC0-13542-00	7 - 3	J10-81146-10	31 - 11		12 - 10	5UG-F3844-00	14 - 19	JN6-F5685-01	16 - 7	JW8-F7872-30	17 - 37
JC0-13567-00	6 - 4	J10-81147-10	31 - 14		12 - 11	JU0-F3857-11	14 - 3	J0B-F6311-00	17 - 50	JW8-F815H-01	17 - 42
JN6-13567-00	6 - 3	J10-81148-10	31 - 7		12 - 28		14 - 5	J0B-F6312-00	6 - 15	J0B-F8218-00	11 - 4
	6 - 5	J10-81159-10	31 - 4		27 - 18	JW1-F3866-00	14 - 24	JW8-F6314-00	17 - 21	J0B-F8228-00	11 - 5
JC0-13595-00	6 - 1	JB2-81670-00	32 - 14		27 - 23	JW1-F387A-00	14 - 11	J0B-F6341-00	16 - 1	J0B-F8238-00	11 - 6
J0B-13750-00	7 - 1	JF2-81910-10	33 - 16		30 - 5	JW1-F387E-00	14 - 14	J0B-F6351-00	16 - 2	J0B-F8268-00	11 - 7
J0B-13770-00	7 - 5	1TP-81950-00	33 - 23		30 - 7	5UG-F387F-00	14 - 17	JW8-F639L-00	17 - 22	J0B-F8278-00	11 - 8
J0B-13907-00	15 - 10	5EA-81952-00	33 - 24	JW1-F1738-00	15 - 8	5UG-F387G-00	14 - 15	JW8-F639N-00	17 - 9	JW8-F8319-00	17 - 29
52S-13938-00	7 - 6	J0B-82149-01	33 - 11	J0B-F1781-00	27 - 27	5UG-F387J-00	14 - 18	JW8-F7113-00	17 - 11	JW8-F8323-00	17 - 24
J0B-13971-00	15 - 14	1S4-82310-00	32 - 17	J0B-F2110-02	11 - 1	5UG-F387K-00	14 - 16	JW8-F7117-00	17 - 6	JW8-F8331-00	17 - 47
52B-14137-00	7 - 7	JC0-82316-00	32 - 18	J0B-F2127-00	12 - 14	JW1-F3894-00	14 - 25	JW8-F7118-00	17 - 41	JW8-F8363-00	17 - 7

NUMERICAL INDEX

PART NO.	REF. NO.	PART NO.	REF. NO.	PART NO.	REF. NO.	PART NO.	REF. NO.	PART NO.	REF. NO.	PART NO.	REF. NO.
J0B-G1148-00	22 - 33	J0B-G6355-00	22 - 43	JU2-H2510-20	33 - 43	J0B-K8111-A0	27 - 1	J0B-K8192-00	28 - 10	J0B-K8401-00	30 - 3
J0B-G1297-00	22 - 23	J0B-G6356-00	22 - 20	JU2-H2511-00	33 - 38	J0B-K8111-B0	27 - 1	J0B-K8197-01	28 - 12	JW1-K8402-10	30 - 10
J0B-G2391-00	22 - 6	J0B-G6371-00	23 - 3	JU2-H2511-00	33 - 39	J0B-K8112-00	27 - 8	J0B-K819H-00	27 - 13	J0B-K8423-00	29 - 1
JW8-G2541-00	22 - 46	J0B-G6372-00	23 - 15	5UG-H2579-00	33 - 37	J0B-K8112-10	27 - 8	JW1-K8214-00	35 - 12	J0B-K8426-10	30 - 8
JC1-G2544-00	22 - 41	JW8-G6374-00	21 - 10	J0B-H2590-01	33 - 8	J0B-K8112-20	27 - 8	J0B-K8233-00	26 - 14	J0B-K8427-00	30 - 2
J0B-G3127-00	22 - 10	J0B-G6376-00	23 - 10	JR1-H3383-02	33 - 20	J0B-K8112-30	27 - 8	J0B-K8237-01	27 - 21	J0B-K84A0-00	35 - 1
J0B-G3812-00	22 - 11	JU0-G6376-00	22 - 13	JN6-H3386-01	33 - 21	J0B-K8112-40	27 - 8	J0B-K8243-00	26 - 17	J0B-K84A0-10	35 - 1
JW8-G4189-00	20 - 6	JN3-G6381-00	23 - 9	JN6-H351C-10	33 - 41	J0B-K8112-50	27 - 8	J0B-K8244-00	26 - 19	J0B-K84A2-00	35 - 2
J0B-G5148-00	22 - 44	J0B-G6382-00	23 - 5	JW8-H3530-00	33 - 40	J0B-K8112-60	27 - 8	J0B-K8251-00	27 - 6	JN9-W2536-00	18 - 2
JW8-G5282-00	20 - 18	JW8-G6383-10	23 - 4	J0B-H5546-00	32 - 32	J0B-K8112-A0	27 - 8	J0B-K8252-00	12 - 18		18 - 13
JW8-G5378-00	22 - 38	J0B-G638A-00	22 - 29	J0B-H591A-01	32 - 31	J0B-K8112-B0	27 - 8	J0B-K8253-00	15 - 23	90105-06057	6 - 19
JW8-G5531-00	21 - 9	J0B-G638E-00	22 - 28	J0B-K7173-20	34 - 8	J0B-K8114-00	26 - 6	J0B-K8254-00	11 - 36	90105-06831	23 - 16
JW8-G5618-00	20 - 10	J0B-G6410-00	22 - 40	J0B-K7200-00	34 - 1	J0B-K8115-00	26 - 1	J0B-K8255-01	27 - 24		26 - 4
	20 - 15	JN3-G6432-00	22 - 32	J0B-K7200-10	34 - 1	J0B-K8115-10	26 - 1	J0B-K8256-00	12 - 21		33 - 15
JW8-G5621-00	20 - 16	JW8-G6521-00	24 - 6	J0B-K7200-20	34 - 6	J0B-K8115-20	26 - 1	J0B-K8257-00	12 - 22	90105-06870	33 - 17
JW8-G5677-00	21 - 12	J0B-G6555-00	22 - 12	J0B-K7200-30	34 - 6	J0B-K8115-30	26 - 1	J0B-K8258-00	12 - 23	90105-08260	21 - 14
JW8-G5697-20	21 - 15	J0B-G6556-00	22 - 47	J0B-K7213-00	34 - 5	J0B-K8115-40	26 - 1	J0B-K8259-00	12 - 25	90105-082A0	18 - 23
J0B-G580H-00	22 - 18	JW8-G7339-00	20 - 20		34 - 18	J0B-K8115-50	26 - 1	J0B-K825A-00	12 - 26	90105-08867	12 - 5
J0B-G6153-00	22 - 27	J0B-G8330-00	23 - 2	J0B-K7217-00	34 - 15	J0B-K8115-60	26 - 1	J0B-K825E-00	12 - 27		12 - 13
JW8-G6159-00	21 - 8	JN6-H1100-04	31 - 1	J0B-K7218-00	34 - 14	J0B-K8115-A0	26 - 1	J0D-K825G-00	27 - 7		12 - 19
J0B-G6164-00	22 - 9	JN6-H1110-10	31 - 5	J0B-K7219-00	34 - 16	J0B-K8115-B0	26 - 1	J0B-K8271-00	28 - 1		22 - 48
J0B-G6201-00	20 - 1	JF2-H1111-00	31 - 19	J0B-K7237-00	34 - 3	JR1-K8139-00	27 - 29	J0B-K8273-00	26 - 16		33 - 29
JW8-G6202-22	21 - 1	JN6-H1113-00	31 - 20		34 - 10	J0B-K8141-00	27 - 19	J0B-K8282-00	26 - 9	90105-088B6	12 - 16
JW8-G6205-21	20 - 9	JN6-H1119-00	31 - 18	J0B-K7238-00	34 - 13	J0B-K8141-10	27 - 19	JW1-K8297-02	27 - 31	90105-10185	11 - 39
JW8-G6210-00	20 - 2	JW1-H1128-00	33 - 42	J0B-K7240-00	34 - 4	J0B-K8141-20	27 - 19	J0B-K8312-00	35 - 3	90105-10219	13 - 8
J0B-G6220-00	20 - 3	J10-H1145-10	31 - 26	J0B-K7240-20	34 - 17	J0B-K8141-30	27 - 19	JW1-K8313-01	35 - 5	90105-10267	11 - 42
J0B-G6231-00	20 - 17	J10-H1157-10	31 - 2	J0B-K7247-00	34 - 11	J0B-K8141-40	27 - 19	JW1-K8314-10	35 - 11		13 - 13
JW8-G6236-20	20 - 12	J10-H1158-10	31 - 3	J0B-K7257-00	34 - 12	J0B-K8141-50	27 - 19	JW1-K8314-20	35 - 11		13 - 20
JW8-G6237-20	20 - 13	JN6-H1160-10	31 - 6	J0B-K7258-00	34 - 9	J0B-K8141-60	27 - 19	J0B-K832F-00	26 - 21	90105-10373	13 - 6
J0B-G6241-00	20 - 21	JN6-H1161-00	31 - 29	JW7-K7329-00	15 - 22	J0B-K8141-A0	27 - 19	J0B-K832F-10	26 - 21	90105-10847	14 - 28
JW8-G6249-00	20 - 19	JN6-H1165-00	31 - 12		27 - 17	J0B-K8141-B0	27 - 19	J0B-K832G-00	26 - 22	90109-08002	29 - 2
JW8-G624A-00	20 - 4	J10-H1166-10	31 - 13	JW1-K7387-00	35 - 10	J0B-K814E-00	27 - 3	J0B-K832G-10	26 - 22	90109-08827	32 - 6
JW8-G624B-00	21 - 5	JW1-H1170-11	32 - 4	J0B-K7389-00	29 - 5		27 - 10	JW1-K8340-00	29 - 3	90110-06125	30 - 9
JW8-G6251-21	20 - 8	JN6-H1171-11	32 - 10	J0B-K7458-00	34 - 2	J0B-K814F-00	27 - 4	JW1-K834G-00	29 - 9	90111-05805	26 - 11
JW8-G6253-00	20 - 5	JW1-H1173-02	32 - 12		34 - 7		27 - 11	JN6-K8355-20	29 - 8	90113-04803	20 - 11
JW8-G6260-22	21 - 2	JN3-H1661-00	31 - 28	J0B-K7510-00	25 - 1	J0B-K814R-00	27 - 14	JF2-K8356-00	29 - 7		20 - 14
JW8-G6270-21	21 - 3	JW9-H1674-00	30 - 1	JW8-K7540-00	25 - 7	J0B-K814T-00	27 - 15	JW8-K8357-00	14 - 32	90113-08803	22 - 14
JW8-G6275-10	21 - 11	JW1-H1950-00	33 - 12	JU0-K7573-00	26 - 3	J0B-K814U-00	27 - 16	JN6-K8358-01	14 - 33	90114-12004	24 - 2
JW8-G6284-00	21 - 6	J0B-H2115-00	33 - 5	JW1-K7741-00	27 - 28	J0B-K8164-00	25 - 2	J0B-K835E-00	26 - 10	90114-12806	13 - 22
J0B-G6301-00	22 - 2	J0B-H2116-01	33 - 6	JW8-K7762-00	14 - 38	J0B-K816M-00	12 - 15	J0B-K8361-00	30 - 4	90119-06808	30 - 11
J0B-G6314-00	22 - 31	J0B-H2117-00	33 - 7	J0B-K7768-00	26 - 8	J0B-K817H-00	27 - 32	J0B-K8362-00	30 - 6	90119-06868	33 - 33
J0B-G6316-00	22 - 24	JW1-H2133-00	33 - 1	J0B-K8111-00	27 - 1	J0B-K817H-10	27 - 32	JN6-K8380-00	29 - 12	90159-06845	29 - 13
J0B-G6320-00	22 - 8	J55-H2136-00	33 - 2	J0B-K8111-10	27 - 1	J0B-K817J-00	27 - 33	J0B-K8388-00	35 - 6	90170-05302	4 - 10
J0B-G6326-00	22 - 25	JN6-H2151-00	33 - 10	J0B-K8111-20	27 - 1	J0B-K817J-10	27 - 33	JU0-K8388-00	35 - 7	90170-10840	22 - 42
J0B-G6327-00	22 - 30	JU7-H2151-00	33 - 9	J0B-K8111-30	27 - 1	J0B-K8187-00	28 - 13		35 - 13	90176-06008	29 - 6
J0B-G633E-00	22 - 3	J0B-H2370-00	26 - 13	J0B-K8111-40	27 - 1	J0B-K818A-00	28 - 2	JW1-K8388-00	35 - 4	90179-05807	33 - 13
J0B-G633G-00	22 - 26	JN6-H2377-00	27 - 30	J0B-K8111-50	27 - 1	J0B-K818B-00	28 - 5	JU0-K8398-00	35 - 9	90179-08822	16 - 8
JN3-G6344-00	22 - 45	JW1-H2510-00	33 - 36	J0B-K8111-60	27 - 1	J0B-K8191-00	28 - 8		35 - 15	90179-08824	33 - 14

NUMERICAL INDEX

PART NO.	REF. NO.	PART NO.	REF. NO.	PART NO.	REF. NO.	PART NO.	REF. NO.	PART NO.	REF. NO.	PART NO.	REF. NO.
90179-12262	13 - 30	90386-12800	17 - 26	92907-06100	31 - 17	95602-10200	13 - 7	97602-05225	33 - 19		
	24 - 4	90387-046N7	14 - 37	9290N-06600	31 - 9		25 - 8	97702-40525	14 - 24		
90179-16889	31 - 30	90387-12016	13 - 15		31 - 16	95602-12200	11 - 18	97702-50016	6 - 30		
90179-20016	24 - 3	90387-241M7	13 - 25		31 - 27		11 - 30	97702-60416	6 - 17		
90183-05008	26 - 12	90450-54008	15 - 6	9299R-06200	29 - 14		14 - 9	98502-06014	7 - 4		
90185-06836	29 - 11	90461-14108	33 - 25	93102-25868	22 - 17	95602-14100	13 - 28	9850N-04010	31 - 23		
90185-10012	11 - 40	90462-05061	2 - 15	93102-30083	13 - 26	95612-12100	13 - 18	9850N-05016	31 - 22		
90185-12008	14 - 7	90464-09823	8 - 8	93102-35014	9 - 3	95622-08618	2 - 7	9850N-05018	31 - 31		
90201-04810	14 - 35		33 - 26		9 - 10	95702-06500	33 - 4	99001-07600	6 - 9		
90201-10057	2 - 5	90464-20005	33 - 27	93104-11829	22 - 37	95702-08500	6 - 2	99001-09600	16 - 11		
	9 - 15	90464-40825	15 - 17	93106-38046	11 - 13		8 - 6	99009-19400	23 - 13		
90201-10072	10 - 3		33 - 32		11 - 25		11 - 20	99530-08016	9 - 7		
90201-121H8	18 - 11	90464-48800	33 - 28	93109-10820	22 - 34		11 - 32	99530-14016	2 - 6		
	18 - 22	90464-76800	12 - 30	93210-15414	32 - 29		32 - 7				
90201-121H9	18 - 10		28 - 14	93210-22344	9 - 17	95802-06016	6 - 6				
	18 - 21	90465-06038	23 - 18	93306-005Y3	13 - 24	95802-06020	5 - 2				
90201-18620	32 - 21	90467-13847	2 - 19	93306-00622	11 - 11		5 - 6				
90201-198S7	23 - 12	90467-24140	6 - 22		11 - 23	95812-06025	7 - 10				
90201-20035	24 - 8	90468-10049	6 - 8	93306-006Y4	11 - 12	95812-08016	25 - 3				
90201-208H9	22 - 19		17 - 52		11 - 24	95812-08020	14 - 2				
90201-208J0	22 - 21	90468-20196	16 - 4	93306-007Y0	22 - 39		17 - 49				
90201-208S8	23 - 11	90480-20564	32 - 15	93306-20201	9 - 4	95812-08040	12 - 3				
90208-14801	13 - 27	90501-10852	22 - 15		9 - 11	95812-08045	9 - 13				
90209-08018	21 - 13	90501-264A9	4 - 5	93306-204X0	13 - 23	95812-08050	25 - 4				
90249-14129	16 - 10	90502-10013	14 - 36	93306-20714	9 - 9	95812-08060	11 - 19				
90269-06804	26 - 5	90506-14001	18 - 7	93306-303Y6	22 - 4		11 - 31				
	28 - 4		18 - 18	93306-30709	9 - 2	95812-10020	10 - 2				
	28 - 7	90506-20281	18 - 6	93450-21053	3 - 5		22 - 1				
	28 - 9		18 - 17	93450-22119	24 - 11	95812-10055	11 - 33				
	28 - 11	90508-16460	17 - 53	93500-06826	22 - 16	95812-12030	32 - 3				
90269-07803	26 - 7	90508-40678	19 - 4	93606-10842	22 - 22	95812-12055	11 - 17				
	26 - 18	90560-05001	17 - 54	94702-00343	2 - 8		11 - 29				
	26 - 20	90560-08251	15 - 9	94702-00348	2 - 8	95812-12080	13 - 17				
	27 - 5	91402-20012	23 - 8	95302-06600	19 - 2	95822-06012	25 - 6				
	27 - 12	91490-25015	16 - 13		32 - 9		32 - 26				
	27 - 20	91702-05010	6 - 7	95302-06800	15 - 13		33 - 35				
90269-09003	12 - 8	91702-05014	17 - 51	95302-08700	25 - 5	95822-06016	32 - 16				
	26 - 15	91702-06014	23 - 6	95302-18600	32 - 20		32 - 19				
	28 - 3	91702-08018	16 - 12	95307-08700	16 - 9	95822-06030	2 - 14				
	28 - 6	91702-10026	16 - 3	9530N-06600	31 - 8	95822-08020	8 - 5				
90269-10001	5 - 8	92012-06030	32 - 8		31 - 15		32 - 5				
90280-04052	32 - 22	92017-06040	29 - 4	95602-06200	19 - 6		32 - 11				
90340-12097	9 - 5	92902-06200	33 - 3	95602-08100	23 - 1	95822-10020	11 - 2				
90381-17800	11 - 15	92902-06600	23 - 7	95602-08710	2 - 17	97012-08030	14 - 30				
	11 - 27	92902-08600	14 - 31	95602-10200	10 - 7	97012-10050	9 - 14				
	13 - 10	92902-10200	10 - 6		10 - 9	97012-10070	2 - 4				
90381-18801	13 - 2	92902-12200	14 - 8		11 - 34	9708R-06020	29 - 10				
90386-08141	19 - 3	92907-06100	31 - 10		11 - 43	97602-04316	23 - 14				