



# **PARTS MANUAL**

---

**RXV  
VALOR  
VALOR 4**

**10059118-J**



# SERVICE PARTS MANUAL

## 48V ELECTRIC POWERED VEHICLE

Valor  
Valor 4

### STARTING MODEL YEAR 2024

Never modify the vehicle in any way that will alter the weight distribution of the vehicle, decrease its stability or increase the speed beyond the factory specifications. Such modifications can cause serious personal injury or death. Textron Specialized Vehicles prohibits and dis-claims responsibility for any such modifications or any other alteration which would adversely affect the safety of the vehicle.

TSV reserves the right to incorporate engineering and design changes to products in this manual, without obligation to include these changes on units sold previously.

The information contained in this manual may be revised periodically by TSV, and therefore is subject to change without notice.

TSV DISCLAIMS LIABILITY FOR ERRORS IN THIS MANUAL, and SPECIFICALLY DISCLAIMS LIABILITY FOR INCIDENTAL AND CONSEQUENTIAL DAMAGES resulting from the use of the information and materials in this manual.

These are the original instructions as defined by 2006/42/EC.

#### TO CONTACT US:

Textron Specialized Vehicles, Inc.  
1451 Marvin Griffin Road  
Augusta, Georgia, USA 30906-3852

#### NORTH AMERICA:

Technical Assistance & Warranty PHONE: 1-800-774-3946, FAX: 1-800-448-8124

Service Parts PHONE: 1-888-438-3946, FAX: 1-800-752-6175

International: PHONE: 001-706-798-4311, FAX: 001-706-771-4609

## **General Information**

---

To obtain a copy of the limited warranty applicable to the vehicle, call or write a local Distributor, authorized Branch or the Warranty Department with vehicle serial number and manufacturer code.

The use of non Original Equipment Manufacturer (OEM) approved parts may void the warranty.

### **BATTERY PROLONGED STORAGE**

All batteries will self discharge over time. The rate of self discharge varies depending on the ambient temperature and the age and condition of the batteries.

A fully charged battery will not freeze in winter temperatures unless the temperature falls below -75° F (-60° C).

### **BATTERY DISPOSAL**

Lead-acid batteries are recyclable. Return whole scrap batteries to distributor, manufacturer or lead smelter for recycling. For neutralized spills, place residue in acid-resistant containers with absorbent material, sand or earth and dispose of in accordance with local, state and federal regulations for acid and lead compounds. Contact local and/or state environmental officials regarding disposal information.

# Table of Contents

---

<b>SECTION</b>	<b>Page No.</b>
How to Use the Service Parts Manual .....	V
Pedals .....	A - 1
Battery Charger .....	B - 1
Body .....	C - 1
Brakes .....	D - 1
Electrical .....	E - 1
Electronic Speed Control .....	F - 1
Frame .....	G - 1
Front Suspension .....	H - 1
Steering .....	J - 1
Motor .....	K - 1
Rear Axle .....	L - 1
Rear Suspension .....	M - 1
Seating .....	N - 1
Weather Protection .....	P - 1
Wheels and Tires .....	R - 1
Decals and Labels .....	T - 1

# Notes

---

# How to Use the Service Parts Manual

---

This manual is divided into several sections:

- GENERAL INFORMATION
- ILLUSTRATED PARTS BREAKDOWN

The first section, GENERAL INFORMATION, contains the following information:

- WARRANTY INFORMATION
- TABLE OF CONTENTS
- HOW TO USE THE SERVICE PARTS MANUAL

The second section, ILLUSTRATED PARTS BREAKDOWN, contains illustrations and parts lists for all systems of your vehicle.

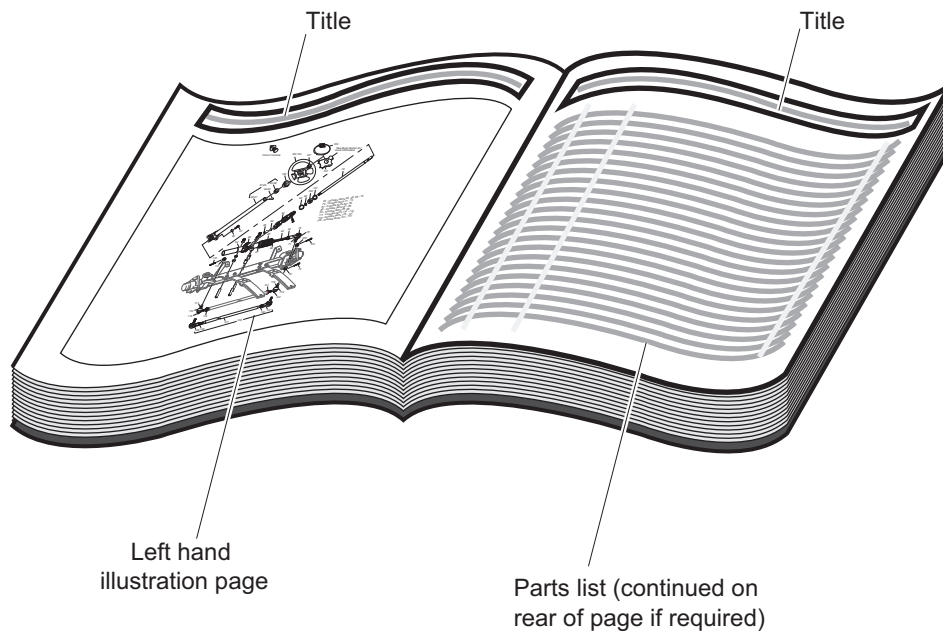
## USE OF THE MANUAL

To use this manual, consult the TABLE OF CONTENTS to locate the information or illustration required.

Introduction of some revisions varies due to supply of components; therefore, it is possible that various combinations of components may be found that are not directly reflected by each illustration. Consult the illustration that best suits your situation and then contact the Service Parts Department. It is important that the serial number or VIN of your vehicle and the model name be supplied to Service Parts when ordering any replacement components.

# How to Use the Service Parts Manual

---



## 1. WHEN THE PART NUMBER IS NOT KNOWN

- Determine the function and application of the part required. Turn to the Table of Content and select the most appropriate title.
- Turn to the page number indicated and locate the desired part on the illustration.
- From the illustration, obtain the item number assigned to the desired part. Refer to the accompanying description for specific information regarding the part.

## 2. IF YOU KNOW THE PART NUMBER

- Locate the part number or description in the appropriate column on the parts list page.

NOTE: It is suggested that you confirm that the part selected is correct by verifying it with the pictorial representation on the illustrated page.

Should an asterisk (\*) appear in the part number column on the parts list page, read upwards until a part number is found. The part number is the lowest assembly sold by Service Parts and the asterisk (\*) indicates that the part depicted is not available for purchase.

NOTE: Descriptions are indented under the assembly that they are used on. That assembly is, in turn listed under the assembly that it is used on. This process is repeated until the highest final assembly is reached.

# How to Use the Service Parts Manual

---

## 3. COLOR CODE FOR BODY COMPONENTS

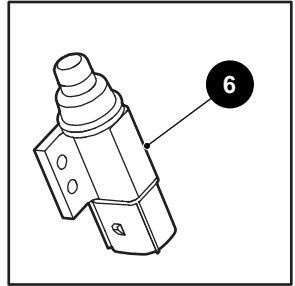
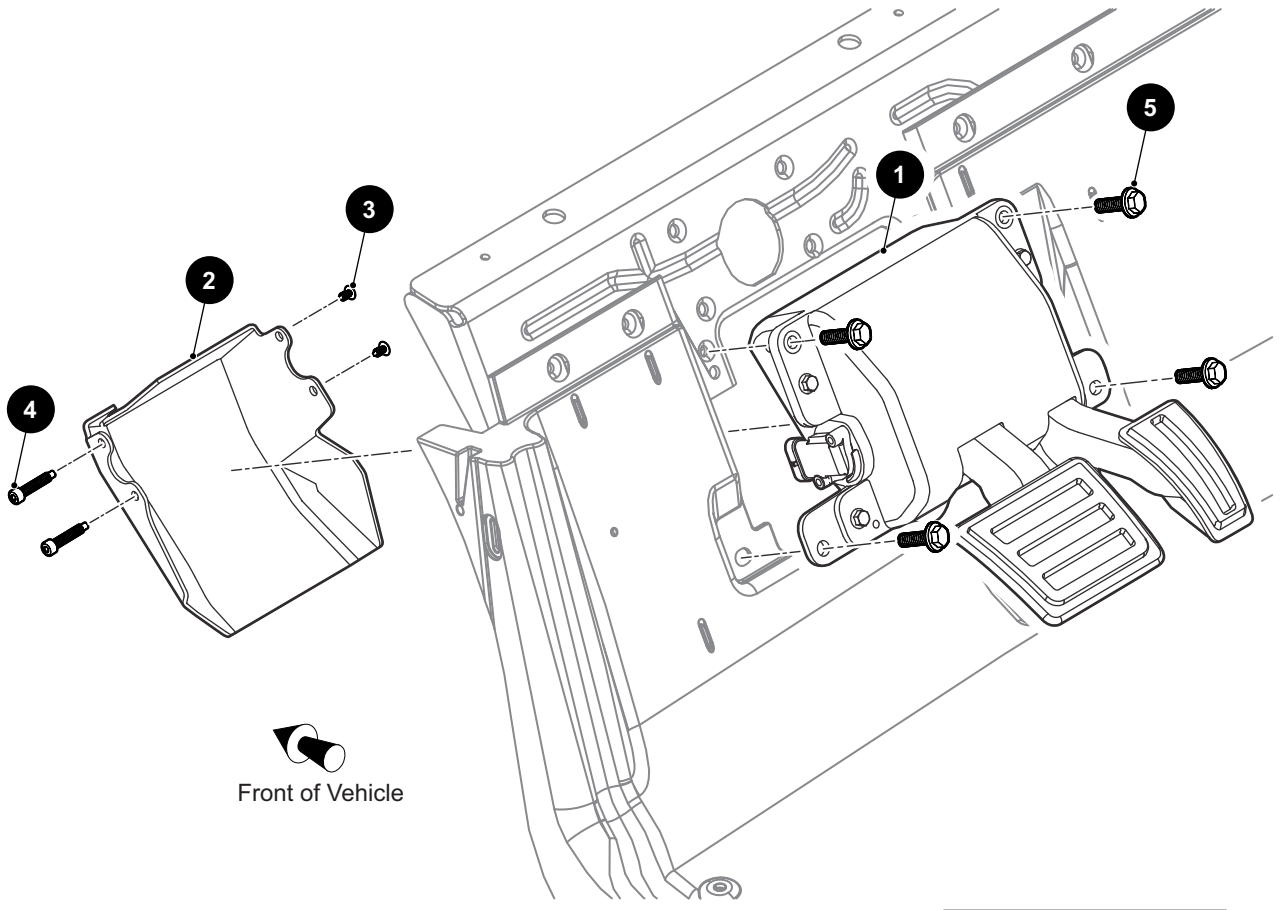
The last two digits of the part number for the body part will denote the color code, locate the part number for the cowl, rear body, seat pod, side panel or seat wrap then locate your color in the list below, replace the last \*\* or XX with the two digit color code.

<u>CODE #</u>	<u>DESCRIPTION</u>
11	BLACK
20	INFERNO RED METALLIC
38	BRIGHT WHITE
42	PLATINUM

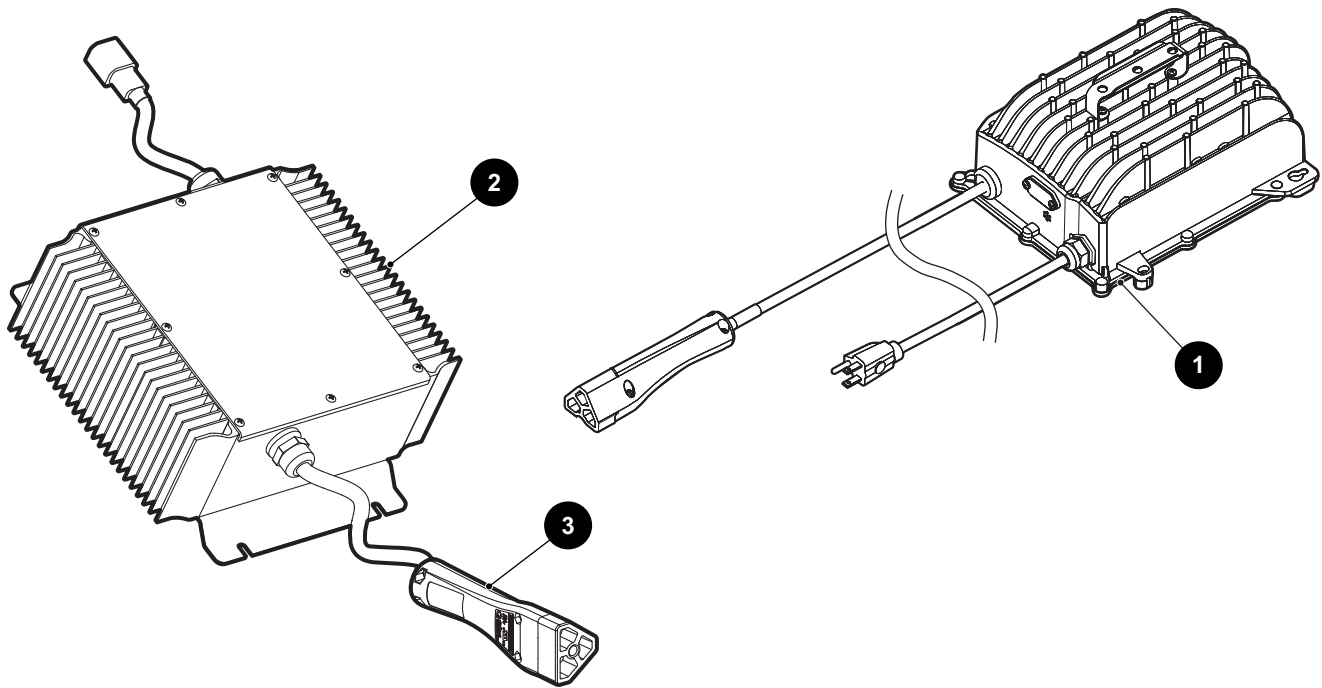
## 4. GENERAL INFORMATION

- THE USE OF NON U.L. PARTS WILL VOID ANY U.L. LISTING.
- When ordering parts, please specify the model and serial number of the product.
- If Part number \* Indicates a component that is not available as an individual part.
- If Part number \*\*\* Indicates consult Customer Service Department for additional information.

**To facilitate the maintenance and repair of the vehicle, service manuals are available from the manufacturer.**

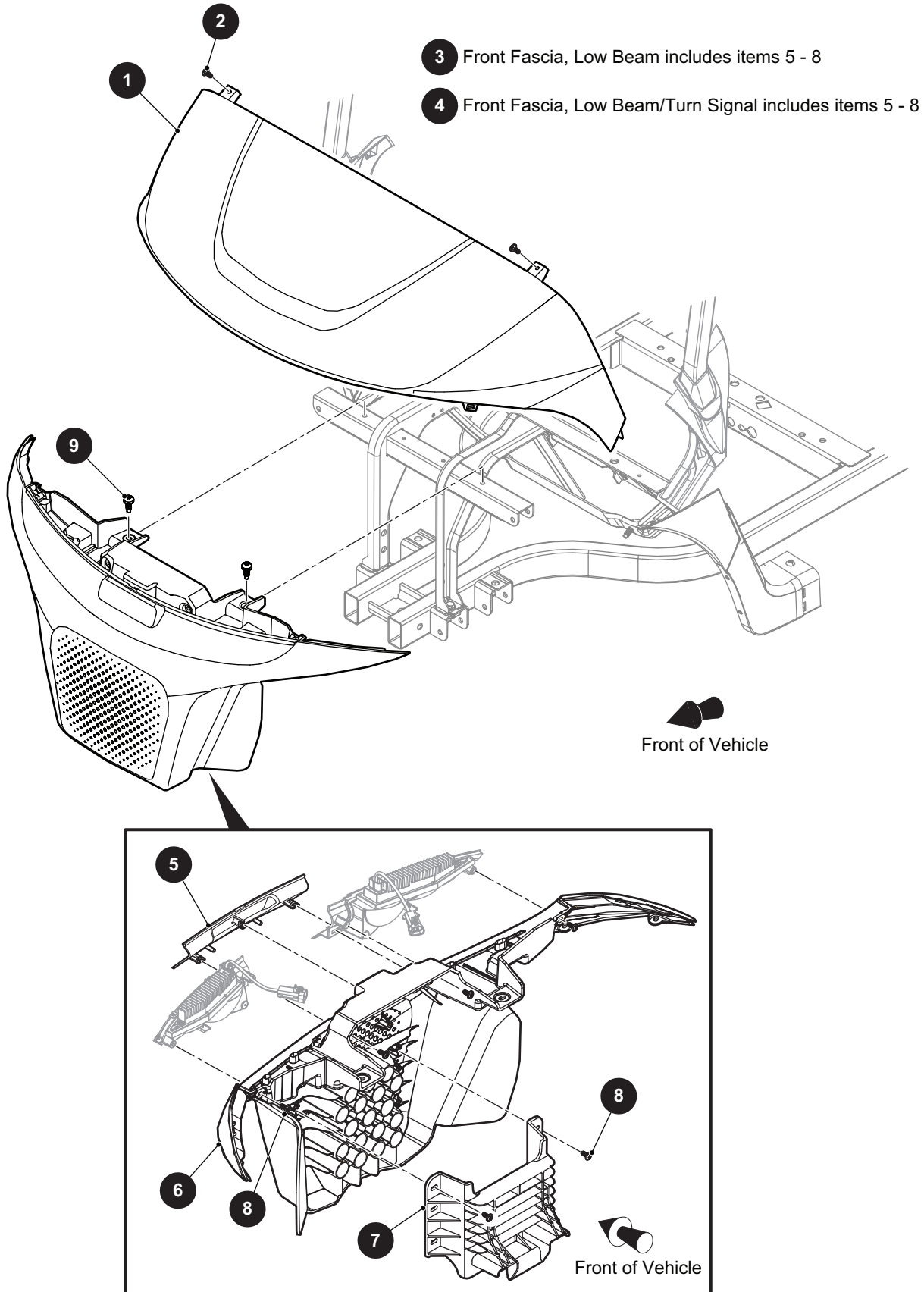


ITEM	PART NO.	QTY.	DESCRIPTION	NOTES
1	10002019	1	Hanging Pedals	
2	10010054	1	Hanging Pedals Cover	
3	16816G5	2	Ratchet Rivet, .187" x .550"	
4	71102G01	2	Hex Head Washer Bolt, 1/4" - 20 x 3/4" Lg	Grade 5
5	10025814	4	Pan Head Taptite Bolt, M8 - 1.25 x 30mm Lg	
6	653242	2	Pedal Switch	

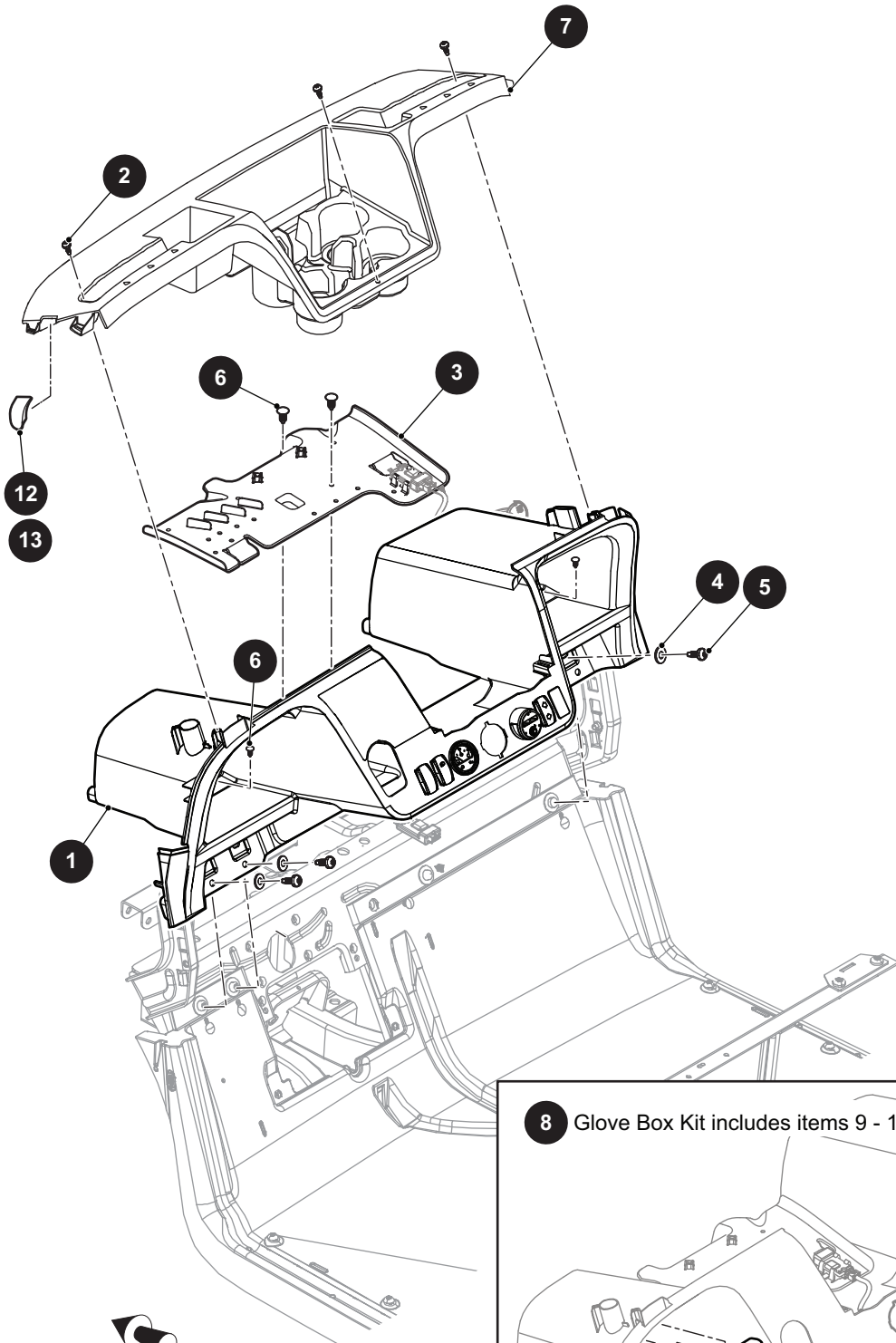


ITEM	PART NO.	QTY.	DESCRIPTION	NOTES
1	635671	1	Battery Charger, 3 Meter Cord	
2	622666	1	Battery World Charger, 3 Meter Cord	
3	618638	1	Battery Charger Paddle	

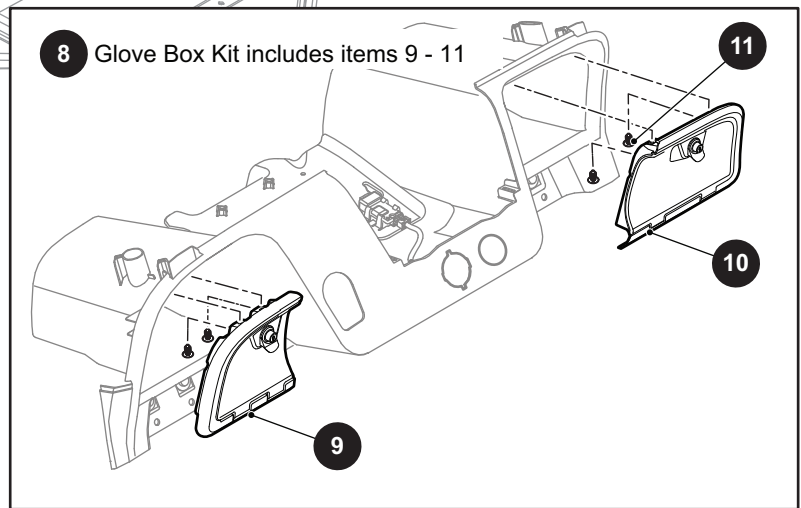




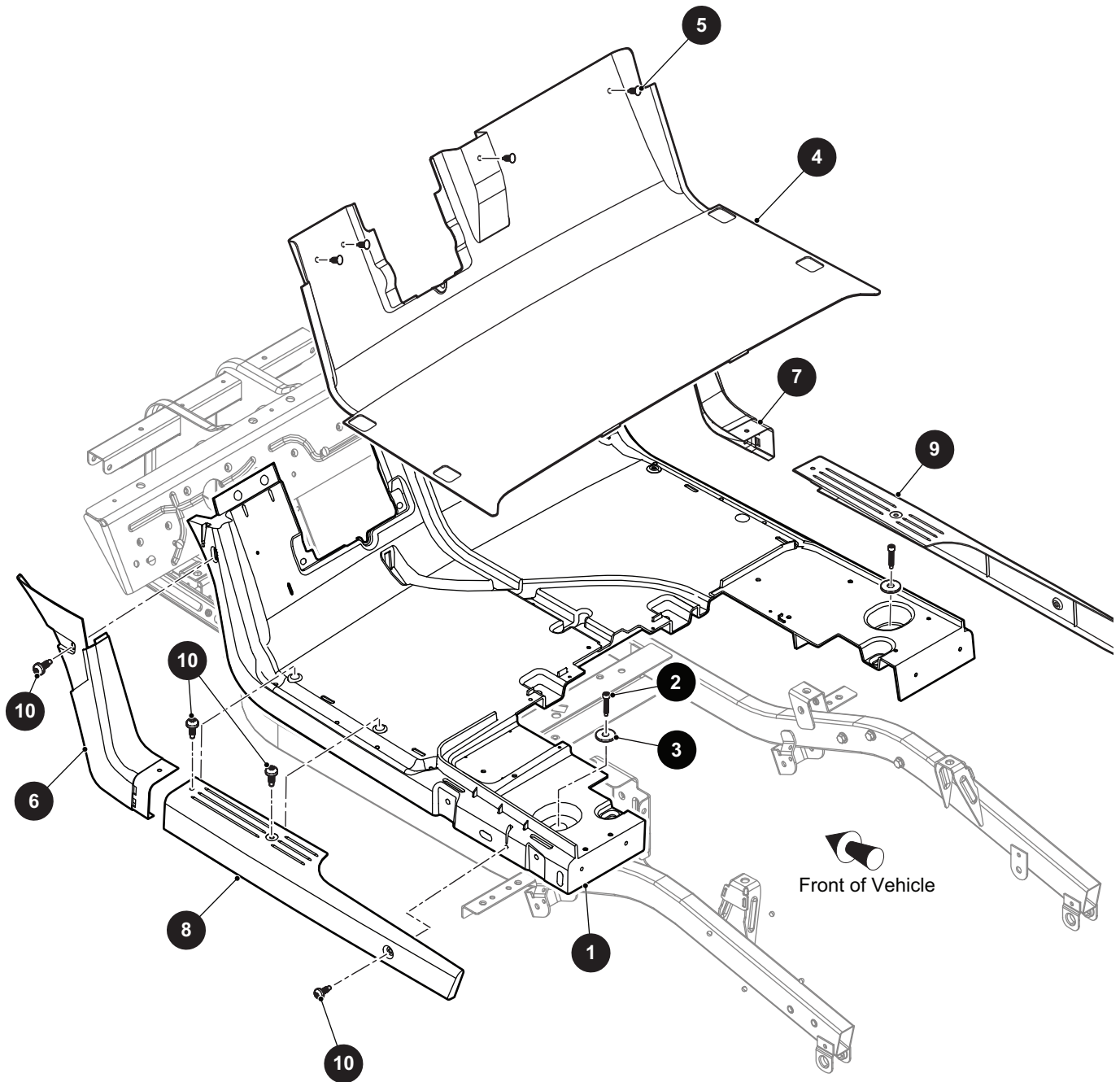
ITEM	PART NO.	QTY.	DESCRIPTION	NOTES
1	10028209G00**	1	Cowl (See COLOR CODES in HOW TO USE section)	
2	10033018	2	Plastite Screw, M6 - 2.14 x 20mm Lg	
3	10019410G01	1	Front Fascia, Low Beam	Includes Items 5 - 8
4	10019410G02	1	Front Fascia, Low Beam/Turn Signal	Includes Items 5 - 8
5	10046050	1	• Short Front Grille Assembly	
6	10034004	1	• Fascia Bumper	
7	10003348	1	• Front Bumper Mount	
8	10033018	10	• Plastite Screw, M6 - 2.14 x 20mm Lg	
9	70200G01	2	Truss Head Torx Bolt, 3/8" - 16 x 3/4" Lg	



  
Front of Vehicle

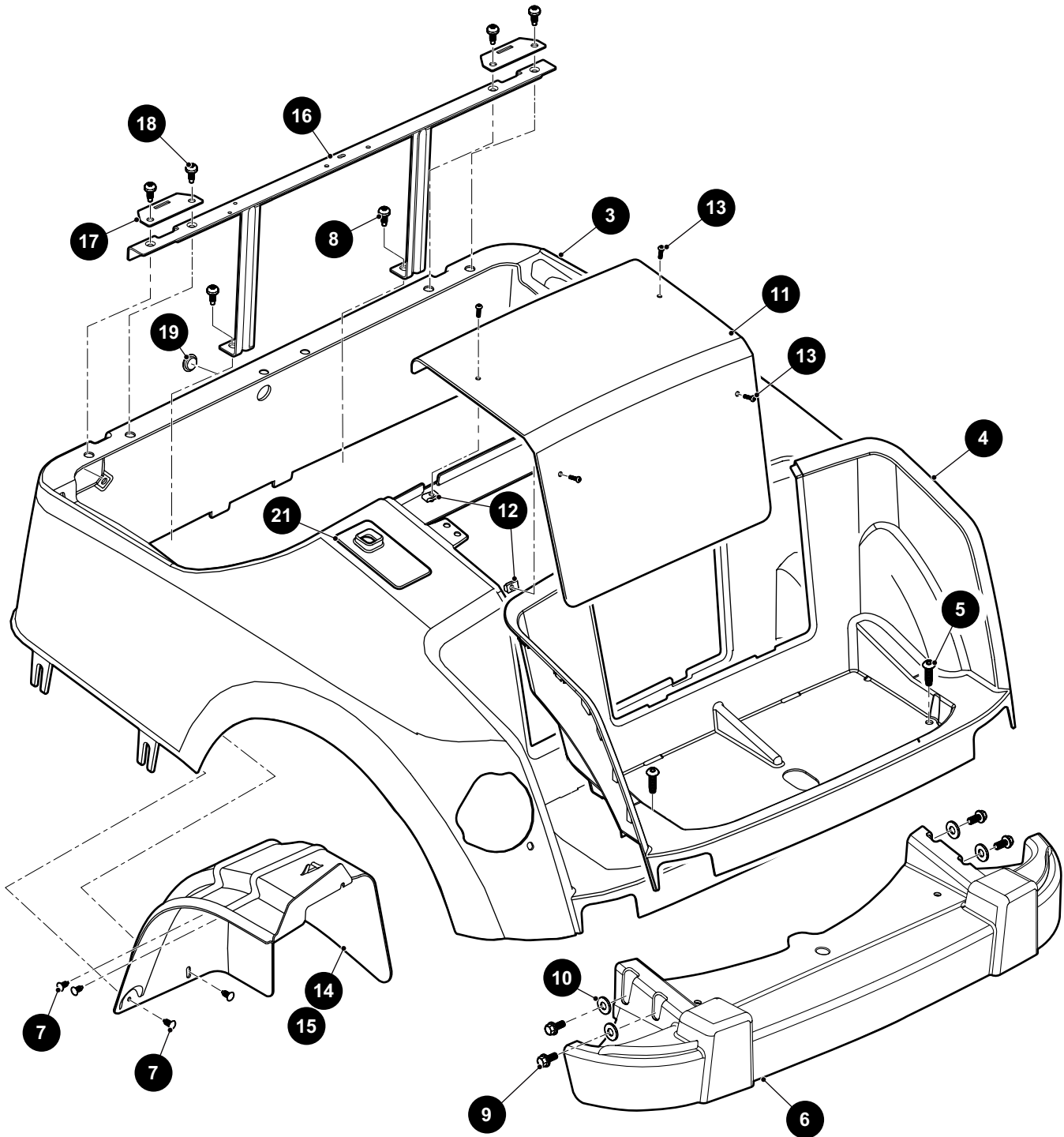


ITEM	PART NO.	QTY.	DESCRIPTION	NOTES
1	10047958G05	1	Instrument Panel Trim (Opening for Key Switch, SOC, USB, Horn, Lights, Turn Signal)	Refer "Electrical" section for Switch Part Numbers
2	10033018	3	Plastite Screw, M6 - 2.14 x 20mm Lg	
3	10031946	1	Mount Plate	
4	604066	4	Flat Washer, M10	Steel
5	10025814	4	Pan Head Taptite Bolt, M8 - 1.25 x 30mm Lg	
6	16816G2	5	Ratchet Rivet, .25" x .887"	
7	10065648	1	Cup-holder Insert	
8	10015380	1	Glove Box Kit	Includes Items 9 - 11
9	10015262	1	• Glove Box Assembly	Driver Side
10	10015264	1	• Glove Box Assembly	Passenger Side
11	16816G2	8	• Ratchet Rivet, .25" x .887"	
12	10024810G01	1	Front Strut Grommet, LH	For Vehicles Without Suntop
13	10024810G02	1	Front Strut Grommet, RH	For Vehicles Without Suntop



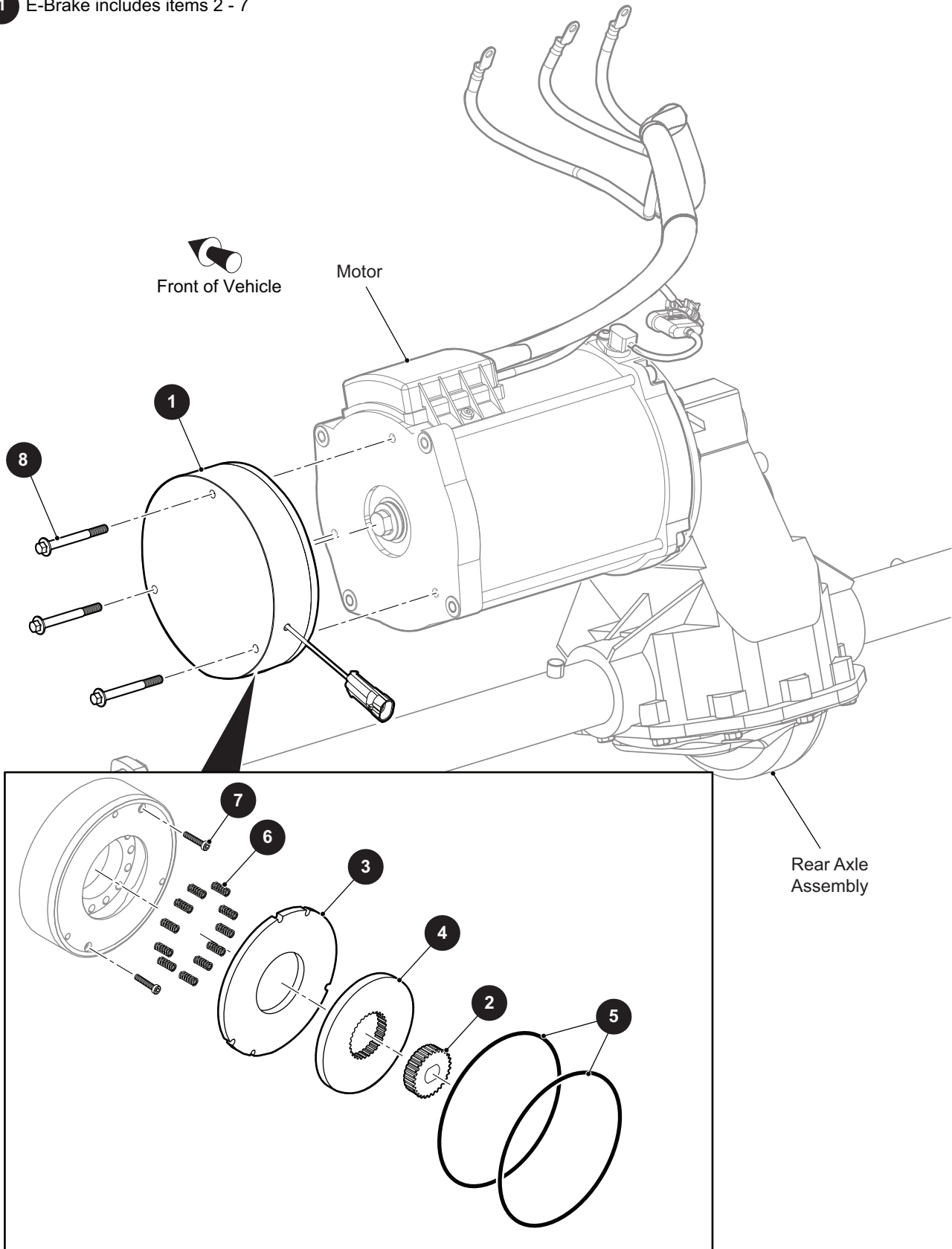
ITEM	PART NO.	QTY.	DESCRIPTION	NOTES
1	10024752	1	Floorboard	
2	602020	2	Socket Head Torx Bolt, M10 - 1.5 x 50mm Lg	Grade 8.8
3	604066	2	Flat Washer, M10	
4	10011076	1	Floormat	
5	16816G1	4	Ratchet Rivet, 25" x .680"	
6	10077553G01	1	Upper Rocker Panel	Driver Side
7	10077553G02	1	Upper Rocker Panel	Passenger Side
8	10052252G01	1	Lower Rocker Panel	Driver Side
9	10052252G02	1	Lower Rocker Panel	Passenger Side
10	649804	8	Button Head Torx Screw, M8 - 3.5 x 30mm Lg	

- 1 Rear Body Assembly with Opening for Lights includes items 2 - 4
- 2 Rear Body Assembly with Opening for Lights includes items 3 - 4

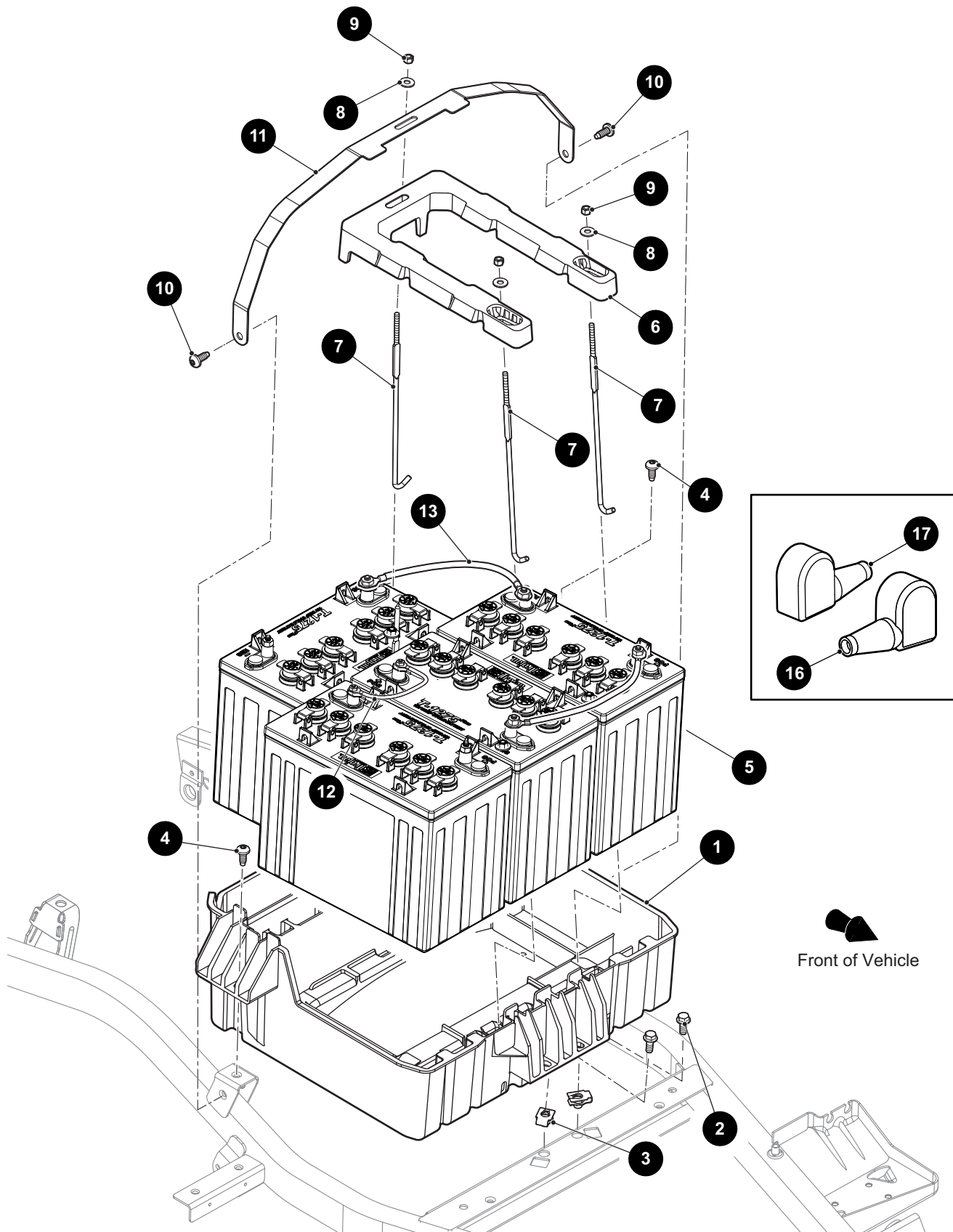


ITEM	PART NO.	QTY.	DESCRIPTION	NOTES
1	650353G04**	1	Rear Body Assembly with Opening for Lights (See COLOR CODES in HOW TO USE section)	Includes Items 2 - 4
2	650353G00**	1	• Rear Body Assembly (See COLOR CODES in HOW TO USE section)	Includes Items 3 - 4
3	650311G00**	1	• • Body	
4	650254	1	• • Bagwell Liner	
5	649804	2	Button Head Torx Screw, M8 - 3.50 x 30mm Lg	
6	689702	1	Rear Bumper	
7	16816G2	8	Ratchet Rivet, .25" x .887"	
8	602572	2	Pan Head Taptite Bolt, M10 - 1.5 x 25mm Lg	Grade 8.8
9	603799	4	Flanged Hex Head Bolt, M10 - 1.5 x 25mm Lg	Grade 8.8
10	00643G1	4	Flat Washer, 3/8"	
11	650443	1	Access Cover	
12	602409	4	Barrel Clip, M6 - 1	
13	601326	4	Button Head Torx Bolt, M6 - 1 x 20mm Lg	Grade 8.8
14	601621	1	Rear Splash Guard	Driver Side
15	601622	1	Rear Splash Guard	Passenger Side
16	601921	1	Front Seat Support Assembly	
17	602558	2	Seat Hinge Plate	
18	602572	4	Pan Head Taptite Bolt, M10 - 1.5 x 25mm Lg	Grade 8.8
19	71316G01	1	Plug	
20	32372G6	1	Vinyl Trim	Not Illustrated
21	10090511	2	Rear Strut Grommet	

1 E-Brake includes items 2 - 7

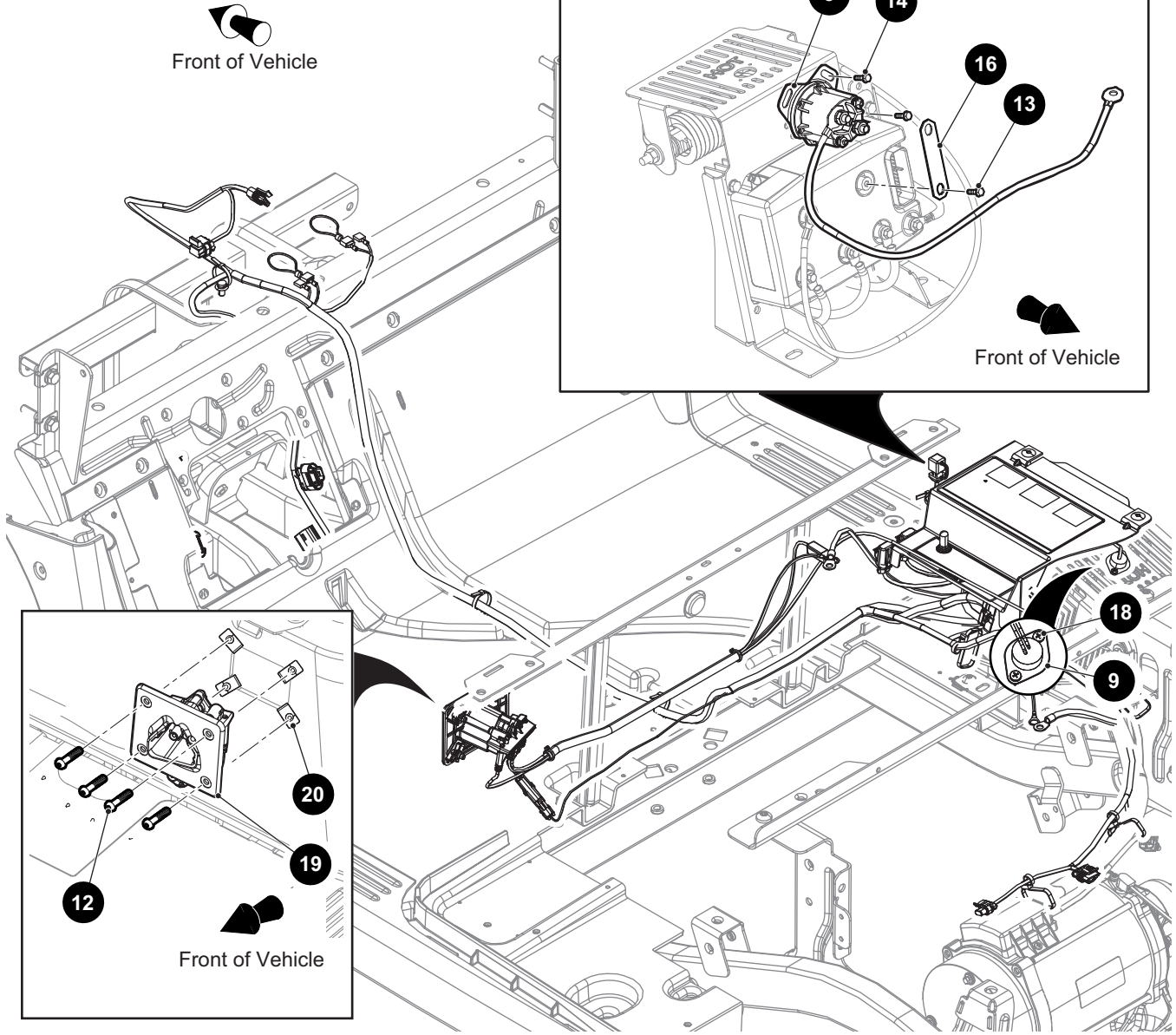
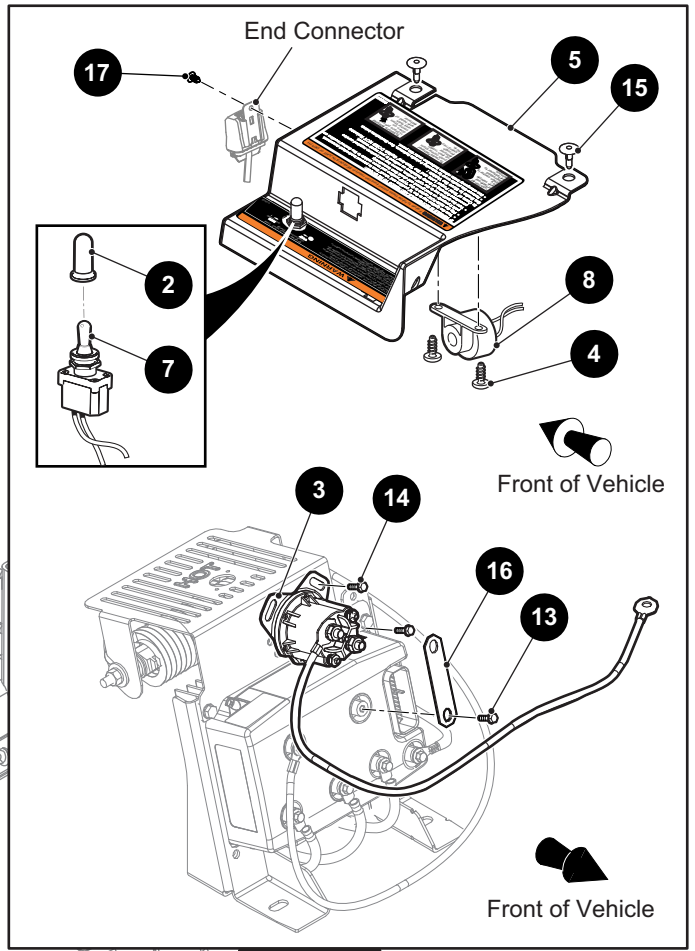


ITEM	PART NO.	QTY.	DESCRIPTION	NOTES
1	10022890	1	E-Brake	Includes Items 2 - 7
2	628548	1	• Center Hub	
3	629569	1	• Armature Plate	
4	628549	1	• Friction Disc	
5	628550	2	• O-Ring	
6	628556	14	• Spring	
7	10024109	2	• Low Head Cap Screw, M5 - .8 x 25mm Lg	
8	10075069	3	Flanged Hex Head Bolt, M6 - 1 x 60mm Lg	



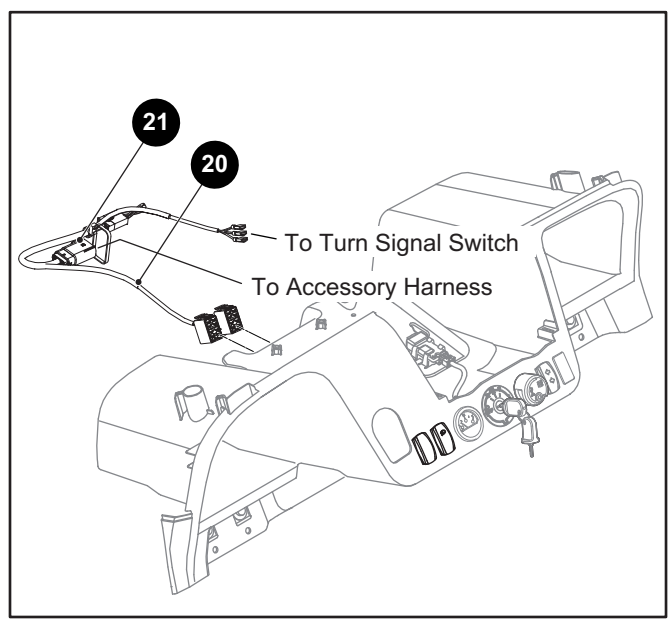
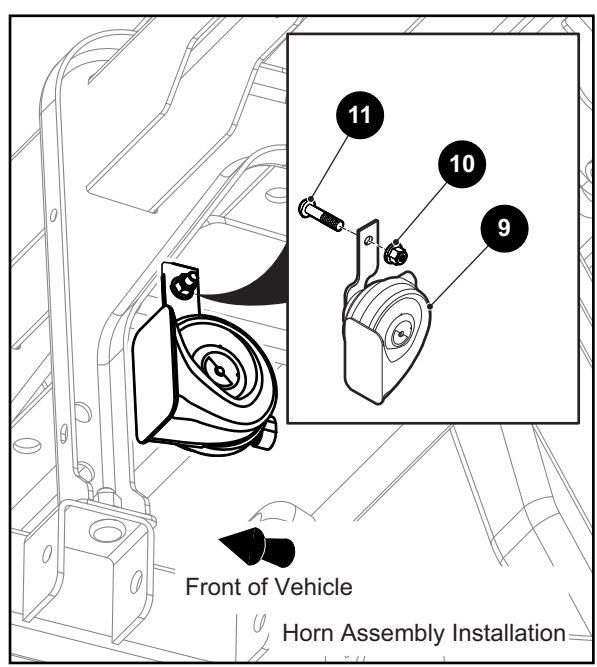
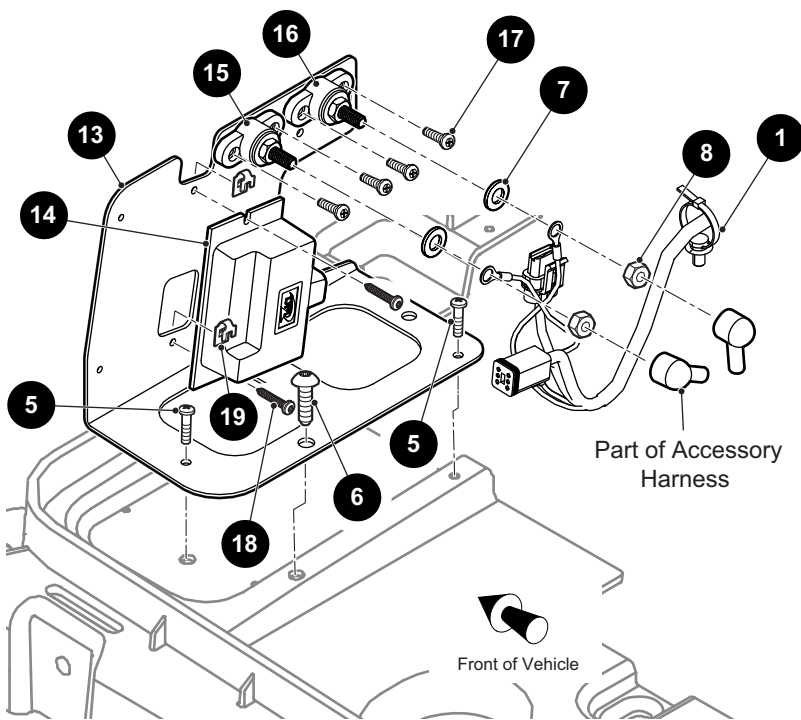
ITEM	PART NO.	QTY.	DESCRIPTION	NOTES
1	603064	1	Battery Tray	
2	603799	2	Flanged Hex Head Bolt, M10 - 1.5 x 25mm Lg	
3	603818	2	Barrel Clip, M10 - 1.5	
4	602572	2	Pan Head Torx Bolt, M10 - 1.5 x 25mm Lg	
5	652457	4	Battery, T1275	Trojan
6	601695	1	Battery Hold Down	
7	602896	3	Battery Hold Down Rod	
8	00571G2	3	Flat Washer, 5/16"	
9	11098G6	3	Lock Nut, 5/16" - 18	
10	602572	2	Pan Head Torx Bolt, M10 - 1.5 x 25mm Lg	
11	608315	1	Battery Strap	
12	602930	2	Blue Wire Assembly, #6 AWG, 261mm Lg	
13	607057	1	Blue Wire Assembly, #6 AWG, 325mm Lg	
14	606042	3	Battery Terminal Cover, LH	For CE Vehicles
15	606947	4	Battery Terminal Cover, RH	For CE Vehicles

- 1 Main Harness Assembly includes items 2 - 11
- 6 Main Harness includes items 7 - 11

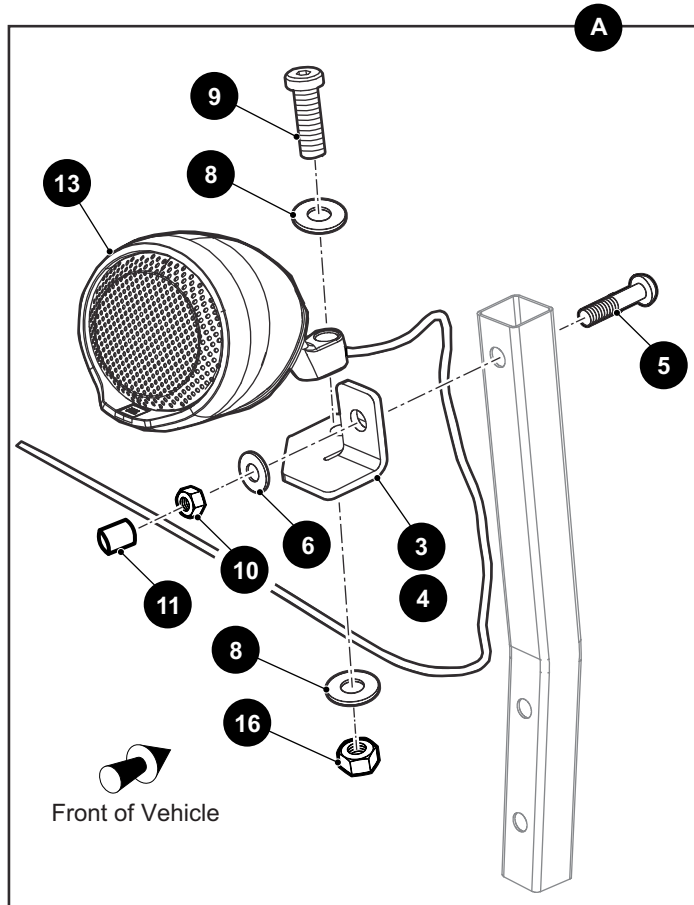
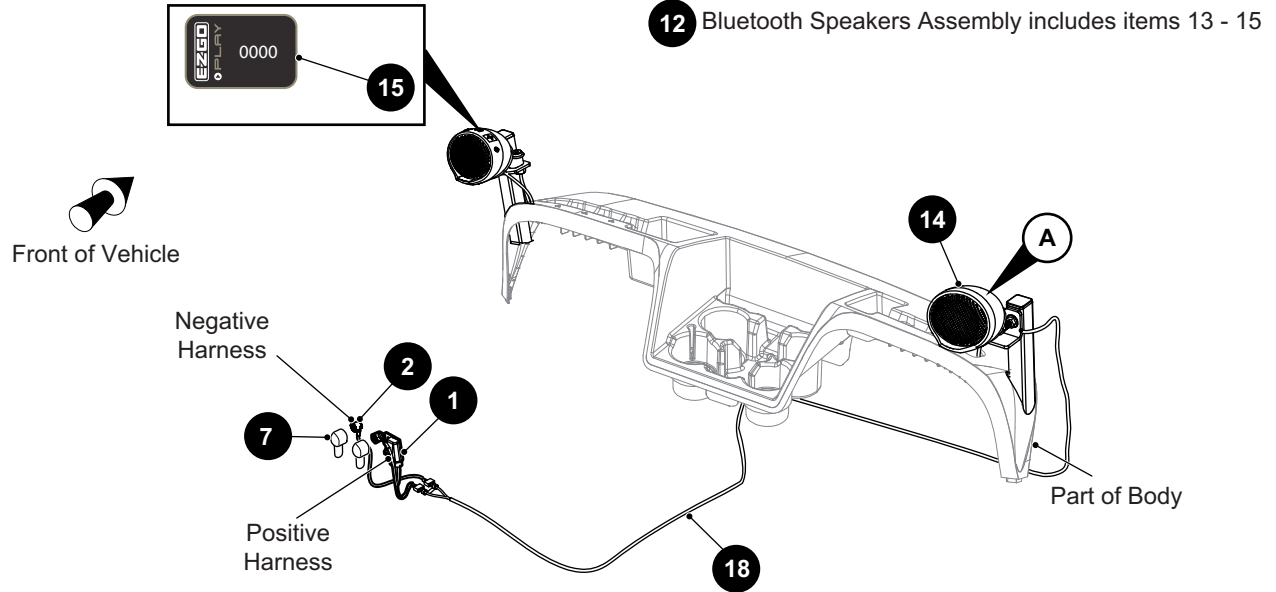


ITEM	PART NO.	QTY.	DESCRIPTION	NOTES
1	10043591	1	Main Harness Assembly	Includes Items 2 - 11
2	655019	1	• Rubber Boot	Row/tow Switch
3	649369	1	• Solenoid, 48V	
4	01051G01	2	• Pan Head Phillips Screw, #8 - 16 x 1/2" Lg	
5	612423	1	• Controller Splash Shield Assembly	
6	10046036	1	• Main Harness	Includes Items 7 - 11
7	620765G01	1	• • Run/tow Switch	
8	620764G02	1	• • Reverse Warning Buzzer	
9	609686G01	1	• • Bi-metal Switch	
10	636455G17	1	• • Fuse, 58V, 2A	Not Illustrated
11	636455G22	1	• • Fuse, 58V, 10A	Not Illustrated
12	601326	4	Button Head Torx Bolt, M6 - 1 x 20mm Lg	Grade 8.8
13	73876G01	1	Flanged Hex Head Bolt, M6 - 1 x 12mm Lg	Grade 8.8
14	71102G02	2	Hex Washer Head Bolt, 1/4" - 20 x 1/2" Lg	Grade 5
15	610487	3	Removable Rivet, .256"	
16	619047	1	Bus Bar	
17	16816G5	1	Ratchet Rivet, .187" x .550" Lg	
18	00614-G4	1	Pan Head Phillips Self Drilling Screw	#8 - 18 x 1/2" Lg
19	602529	1	Charger Receptacle	
20	602409	4	Barrel Clip, M6 - 1	

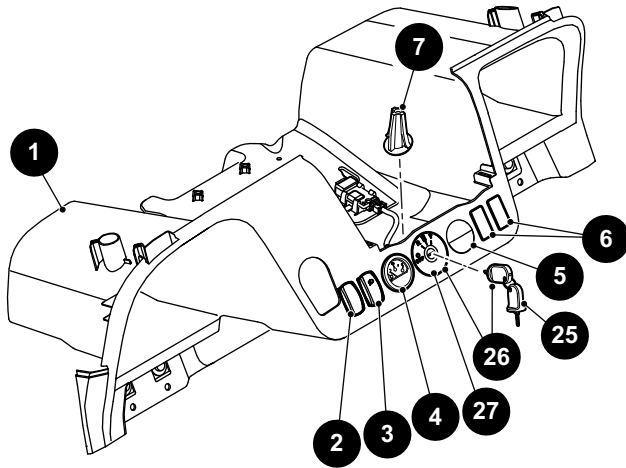
- 1 Accessory Harness includes items 2 - 4
- 12 DC - DC Converter Assembly includes items 13 - 19



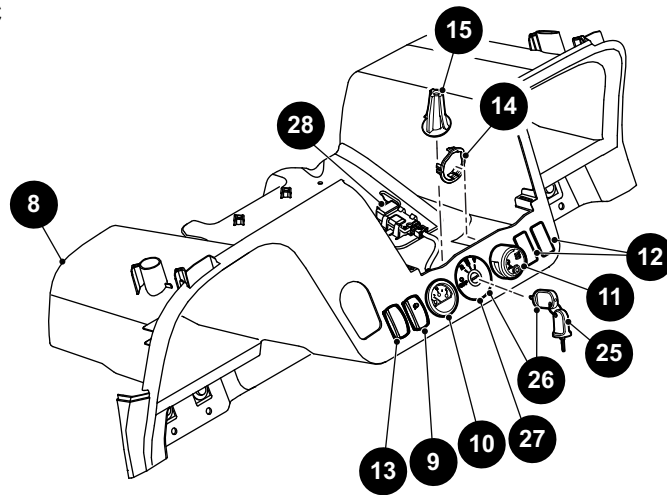
ITEM	PART NO.	QTY.	DESCRIPTION	NOTES
1	10008164	1	Accessory Harness	Includes Items 2 - 4
2	658741	1	• Relay, 20Amp, 24V DC	Not Illustrated
3	63645G22	4	• Mini Fuse, 10A, 58V DC	Not Illustrated
4	628840	1	• Fuse (ATO), 58V, 10A	Not Illustrated
5	608290	2	Self Tapping Screw, #10 - 16 x 3/4" Lg	
6	649804	1	Button Head Torx Screw, M8 - 3.5 x 30mm Lg	
7	00559G8	2	Flat Washer, 5/16"	
8	00702G2	2	Hex Nut, 5/16" - 18	
9	604196	1	Horn Assembly	
10	601476	1	Flanged Lock Nut, M6 - 1	
11	601326	1	Button Head Torx Bolt, M6 - 1 x 20mm Lg	Grade 8.8
12	698914	1	DC-DC Converter Assembly	Includes Items 13 - 19
13	10061789	1	• DC-DC Converter Bracket	
14	10052121	1	• DC-DC Converter	
15	662824G02	1	• Terminal Stud	Black
16	662824G01	1	• Terminal Stud	Red
17	632372	4	• Tapping Screw, #10 - 32 x 3/4" Lg	
18	648271	2	• Pan Head Torx Screw, #8 - 15 x 1" Lg	
19	71364G02	2	• Speed Nut "J" Type, #8	
20	10011035	1	Light Control Harness	
21	10021930	1	Turn Signal Controller	



ITEM	PART NO.	QTY.	DESCRIPTION	NOTES
1	697532	1	Speaker Harness	Positive
2	697533	1	Speaker Harness	Negative
3	690335G01	1	Speaker Bracket, LH	
4	690335G02	1	Speaker Bracket, RH	
5	652311	2	Round Head Torx Bolt, 5/16" - 18 x 3" Lg	
6	634808	2	Flat Washer, 5/16"	
7	840177	2	Terminal Boot	
8	00560G2	4	Flat Washer, 1/2" - 13	
9	00463G11	2	Socket Head Cap Screw, 1/2" -13 x 1 1/2" Lg	
10	652317	2	Lock Nut, 5/16" - 18	
11	10031844	2	Thread Cover Cap	
12	10022147	1	Bluetooth Speakers Assembly	Includes Items 13 - 15
13	690350	1	• Bluetooth Speaker	Parent
14	692906	1	• Bluetooth Speaker	Child
15	692795	1	• Bluetooth Speaker Decal	
16	00734G1	2	Lock Nut, 1/2" - 13	
17	17618G1	1	Nylon Clamp, 8" Lg	Not Illustrated
18	691634	1	Bluetooth Speaker Harness	



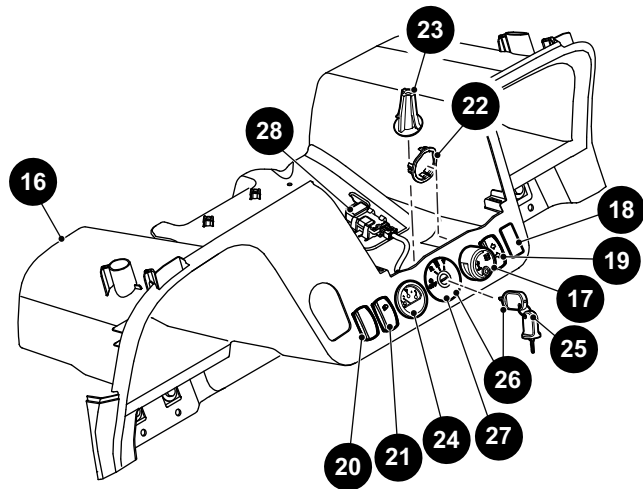
with Horn/Lights/SOC



with Horn/Lights/SOC/USB

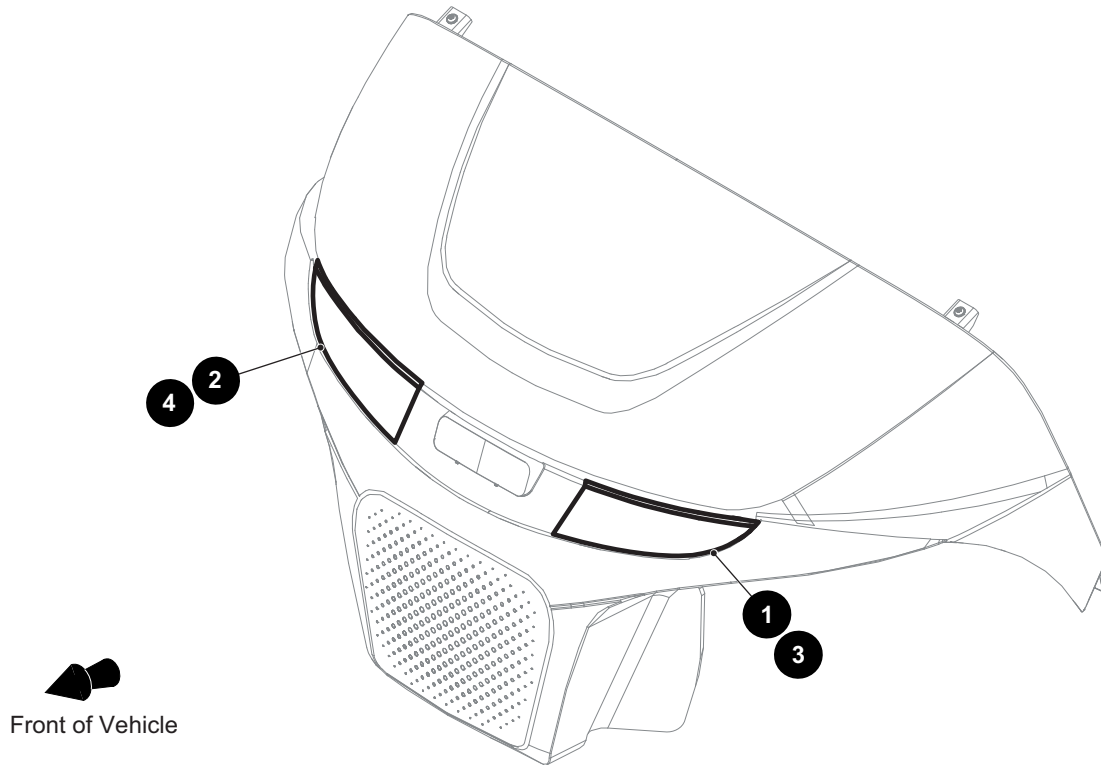


Front of Vehicle

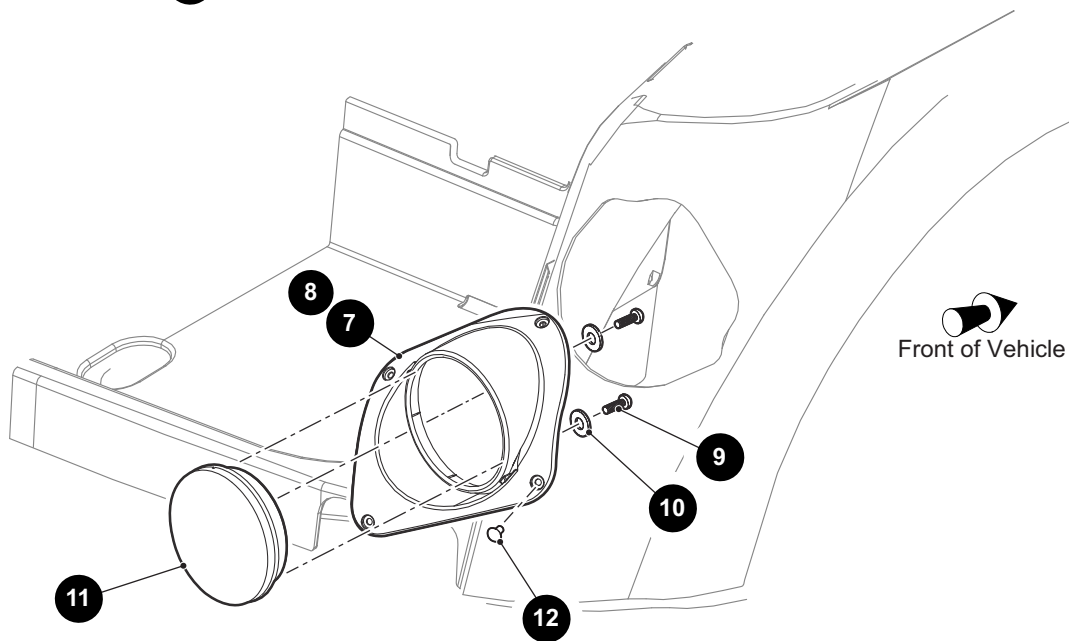


with Horn/Lights/SOC/USB/Turn Signal

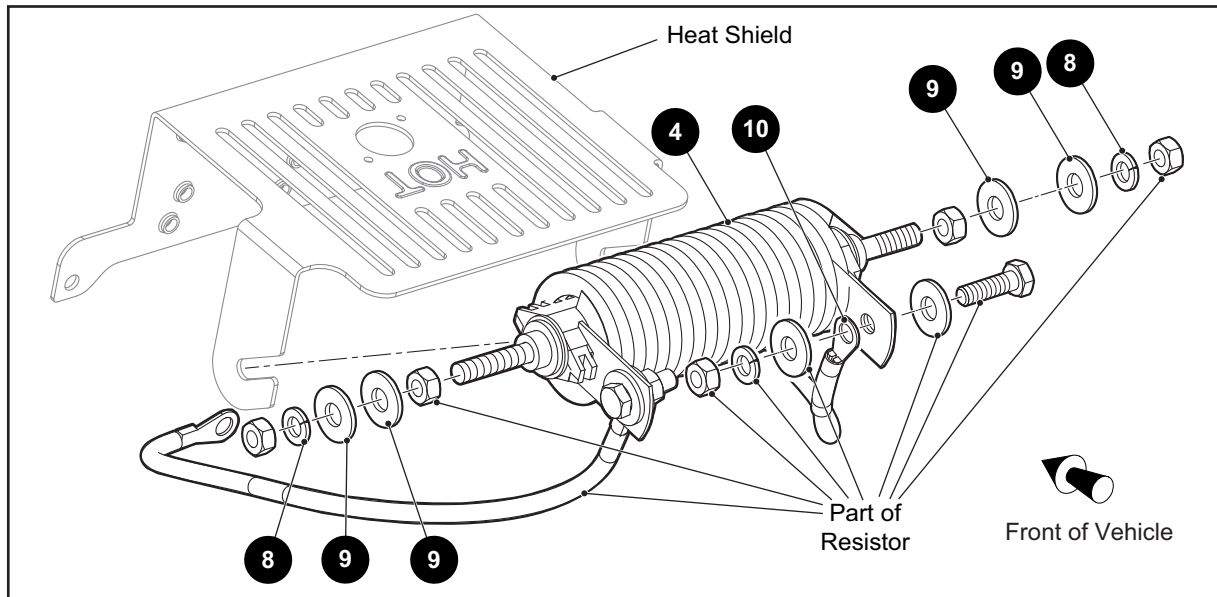
ITEM	PART NO.	QTY.	DESCRIPTION	NOTES
1	10047958G05	1	Instrument Panel Trim	with Opening for Key Switch, SOC, USB, Horn, Lights, Turn Signal
2	651897G11	1	Horn Switch	
3	651897G07	1	Headlight Switch	
4	612314	1	State of Charger Meter	
5	10032139	1	USB Plug Cover	
6	627035	2	Switch Panel Plug	
7	10061294	1	Snap-In Boss	
8	10047958G05	1	Instrument Panel Trim	with Opening for Key Switch, SOC, USB, Horn, Lights, Turn Signal
9	651897G07	1	Headlight Switch	
10	612314	1	State of Charger Meter	
11	10064282	1	USB Port Housing Assembly	
12	627035	2	Switch Panel Plug	
13	651897G11	1	Horn Switch	
14	10058764	1	USB Retainer	
15	10061294	1	Snap-In Boss	
16	10047958G05	1	Instrument Panel Trim	with Opening for Key Switch, SOC, USB, Horn, Lights, Turn Signal
17	10064282	1	USB Port Housing Assembly	
18	627035	1	Switch Panel Plug	
19	651897G10	1	Turn Signal Switch	
20	651897G11	1	Horn Switch	
21	651897G07	1	Headlight Switch	
22	10058764	1	USB Retainer	
23	10061294	1	Snap-In Boss	
24	612314	1	State of Charger Meter	
25	611282	1	Common Keyset	
26	609692	1	Key Switch & Keyset	
27	611283	1	F-N-R Key Switch	
28	10019356	1	USB Electronics	



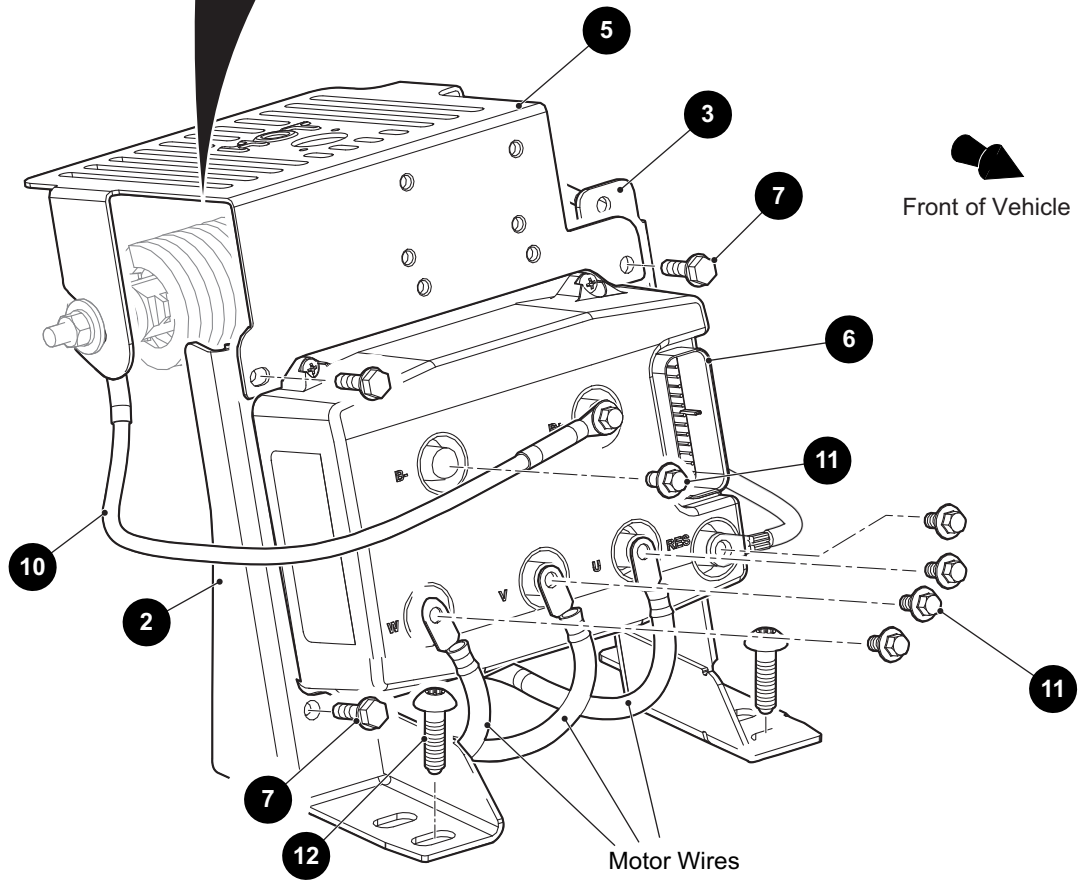
- 5 LED Taillight Assembly, Driver Side includes items 7, 9 - 11
- 6 LED Taillight Assembly, Passenger Side includes items 8 - 11



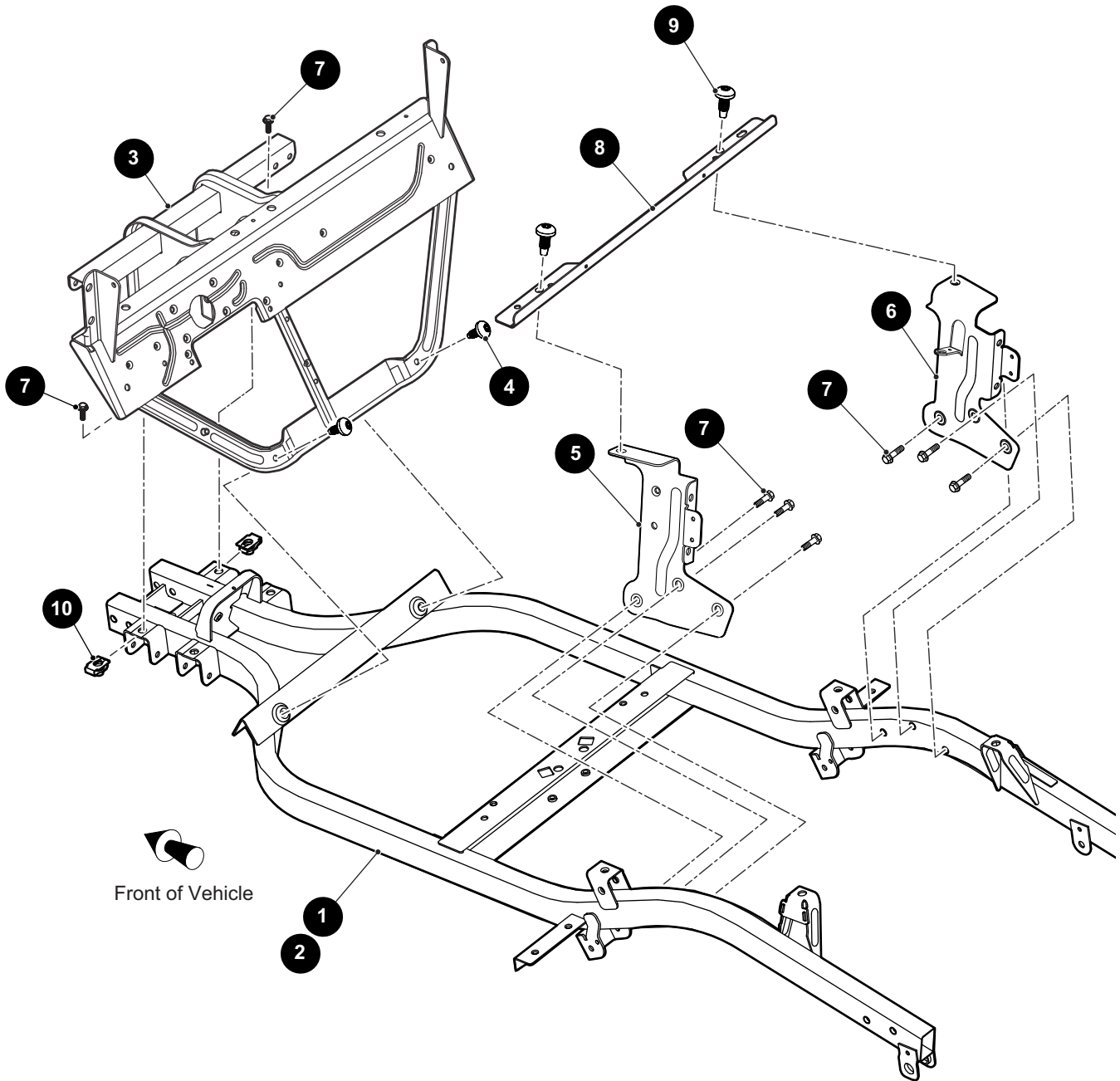
ITEM	PART NO.	QTY.	DESCRIPTION	NOTES
1	10047123G11	1	LED Headlight, Low Beam	Driver Side
2	10047123G12	1	LED Headlight, Low Beam	Passenger Side
3	10047123G21	1	LED Headlight, Low Beam/Turn Signal	Driver Side
4	10047123G22	1	LED Headlight, Low Beam/Turn Signal	Passenger Side
5	10047778G01	1	LED Taillight, Driver Side	Includes Items 7, 9 - 11
6	10047778G02	1	LED Taillight, Passenger Side	Includes Items 8 - 11
7	10027806G01	1	• Taillight Bezel	Driver Side
8	10027806G02	1	• Taillight Bezel	Passenger Side
9	10023082	3	• Button Head Torx Screw , M3 x 8mm Lg	Plastite
10	10027443	3	• Flat Washer, #4 - 7/16"	
11	10023553	1	• Round LED Taillight, 4"	
12	10030163	8	Button Head Torx Screw, #10 - 16 x 3/8" Lg	Plastite



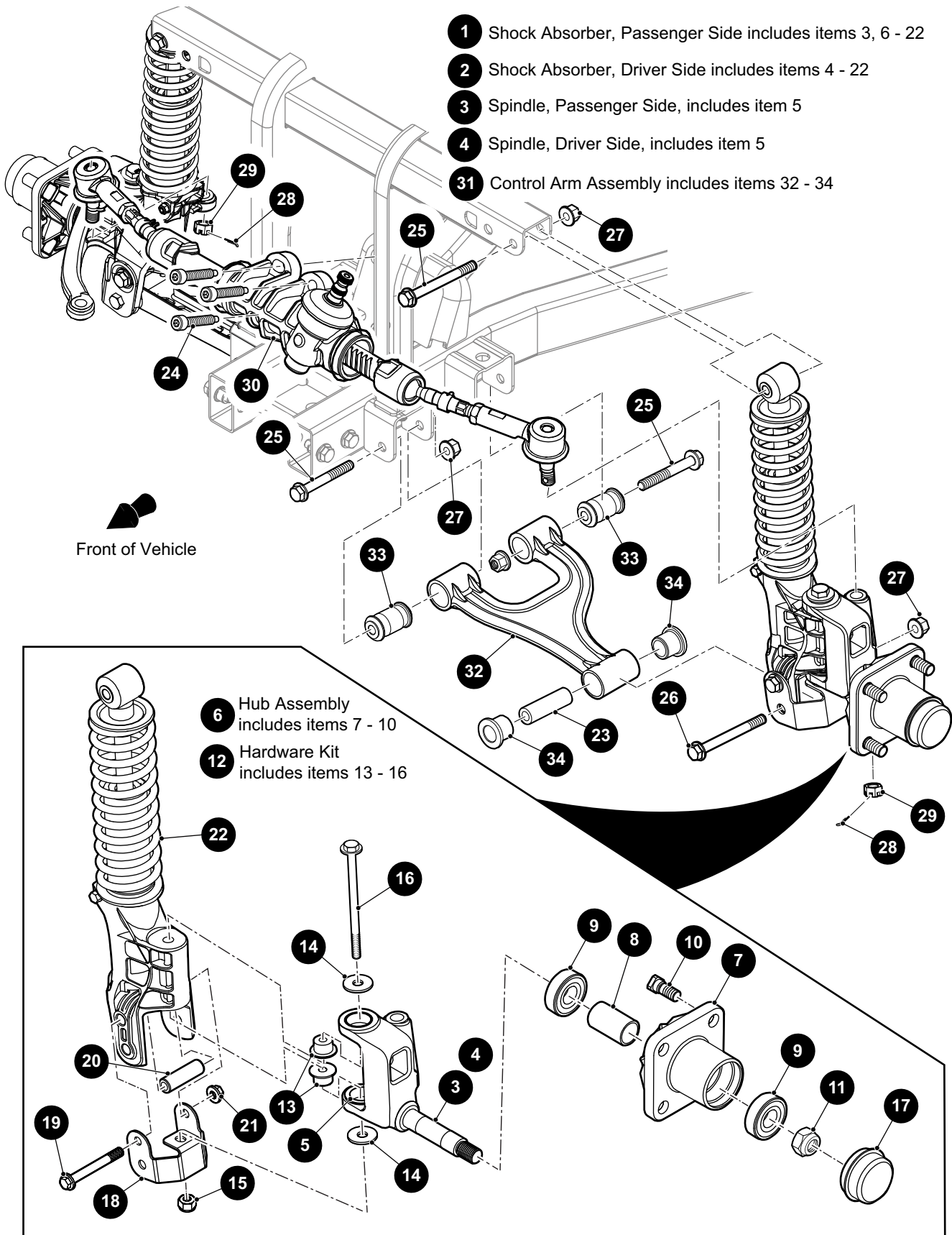
1 Controller Assembly includes items 2 - 10



ITEM	PART NO.	QTY.	DESCRIPTION	NOTES
1	10026689G01	1	Controller Assembly	Includes Items 2 - 10
2	623213	1	• Controller Bracket	Passenger Side
3	623170	1	• Controller Bracket	Driver Side
4	10036853G01	1	• Resistor Assembly, .86 Ohm Rating	
5	645964	1	• Heat Shield	
6	10027632G01	1	• Programmed Controller Kit	
7	606264	4	• Flanged Hex Head Bolt, M6 - 1 x 20mm Lg	Grade 8.8
8	00565G8	2	• Lock Washer, 5/16"	
9	00571G2	4	• Flat Washer, 5/16"	
10	624611	1	• #10 AWG White Wire	
11	73876G01	5	Flanged Hex Head Bolt, M6 - 1 x 12mm Lg	Grade 8.8
12	649804	2	Button Head Torx Screw, M8 - 3.50 x 30mm Lg	

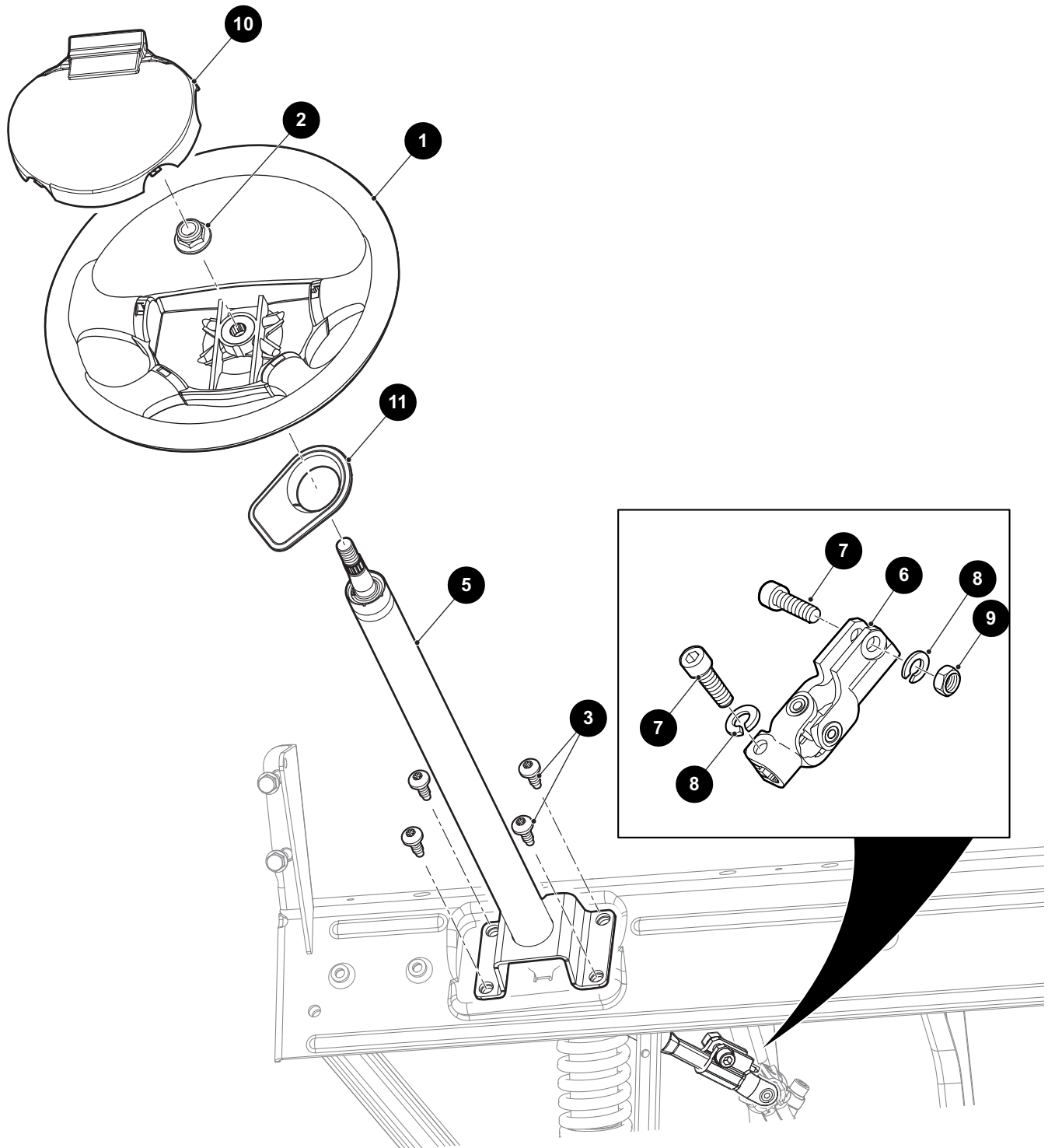


ITEM	PART NO.	QTY.	DESCRIPTION	NOTES
1	10014468G03	1	Frame, E/Coat & P/Coat	
2	10014468G04	1	Frame, P/Coat	
3	690541	1	Dash Panel Support	
4	602572	2	Pan Head Taptite Bolt, M10 - 1.5 x 25mm Lg	Grade 8.8
5	600218	1	Seat Support Bracket	Driver Side
6	613187	1	Seat Support Bracket	Passenger Side
7	603799	8	Flanged Hex Head Bolt, M10 - 1.5 x 25mm Lg	Grade 8.8
8	601275	1	Seat Support Brace	
9	602572	2	Pan Head Taptite Bolt, M10 - 1.5 x 25mm Lg	Grade 8.8
10	603818	2	Barrel Clip, M10 - 1.5	

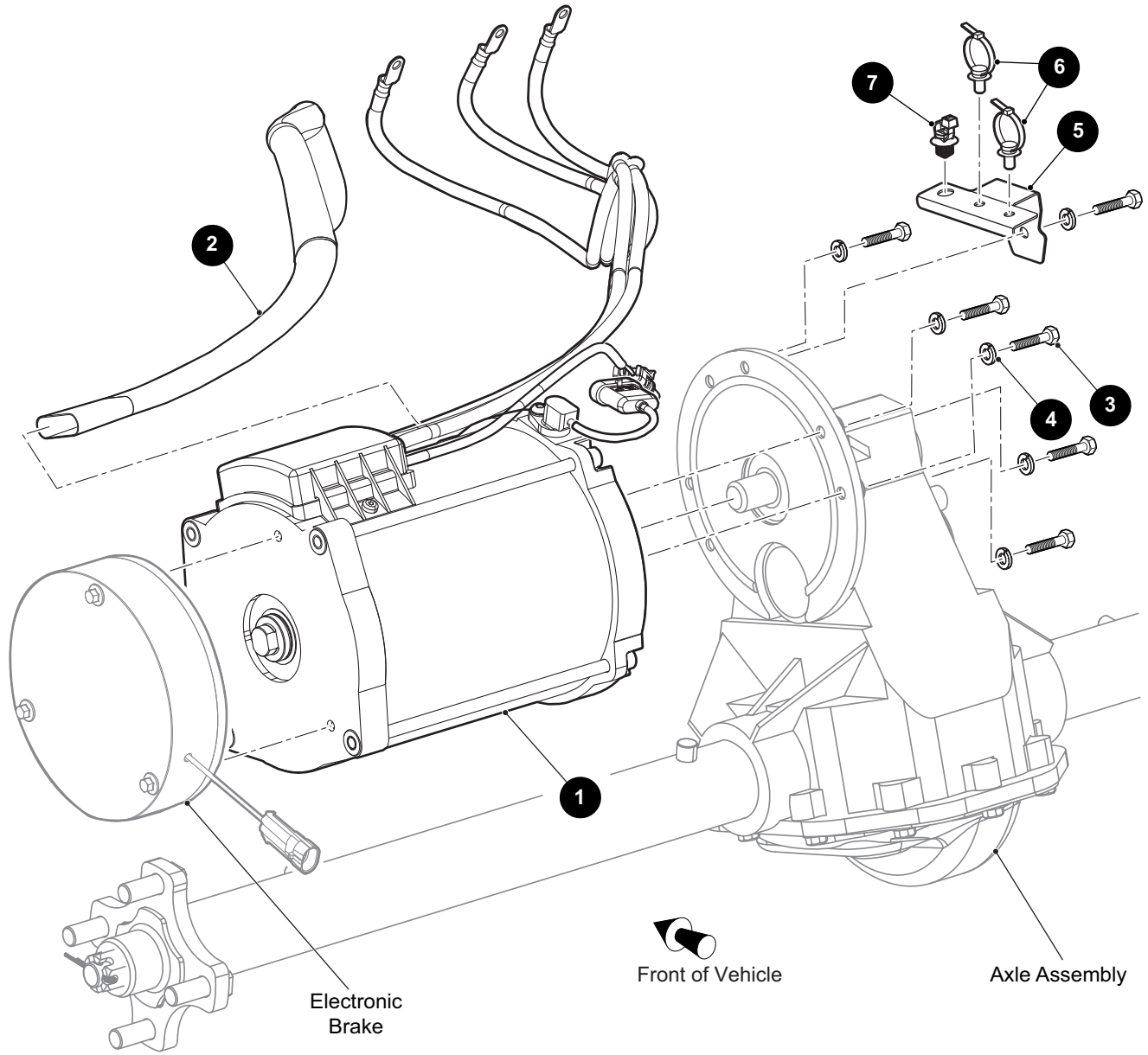


ITEM	PART NO.	QTY.	DESCRIPTION	NOTES
1	10018909G02	1	Shock Absorber, Passenger Side	Includes Items 3, 6 - 22
2	10018909G01	1	Shock Absorber, Driver Side	Includes Items 4 - 22
3	10018910G02	1	• Spindle, Passenger Side	Includes Item 5
4	10018910G01	1	• Spindle, Driver Side	Includes Item 5
5	699759	2	• • Flanged Bushing, 28mm O.D. x 25mm I.D. x 11.5mm Lg	
6	10010785	1	• Hub Assembly	Includes Items 7 - 10
7	*	1	• • Hub	
8	*	1	• • Bearing Spacer	28mm O.D.x22mm I.D.x46.7mm
9	*	2	• • Ball Bearing, 47mm O.D.x20mm I.D.x14mm	
10	19862G1	4	• • Wheel Bolt, 1/2" - 20 x 1.218" Lg	
11	615109	1	• Lock Nut, M16 - 2	
12	10022856	1	• Hardware Kit	Includes Items 13 - 16
13	699702	2	• • King Pin, 25mm	
14	699701	2	• • Washer, 30mm O.D x 10.5mm I.D x 2.5mm	
15	616675	1	• • Lock Nut, M10 x 1.50	
16	10006771	1	• • Flanged Hex Head Bolt, M10-1.5x130mm Lg	Grade 8.8
17	12091G2	1	• Spindle Cap	
18	10001464	1	• Knuckle Support Bracket	
19	601754	1	• Flanged Hex Head Bolt, M10-1.5 x 100mm Lg	Grade 10.9
20	10017728	1	• Tube, 18.5 O.D x 10.8 I.D x 59.35mm Lg	
21	*	1	• Flanged Hex Nut, M10 x 1.5	
22	10005649	1	• Strut Assembly	
23	602085	2	Control Arm Carrier Tube	
24	602020	3	Socket Head Torx Bolt, M10 - 1.5 x 50mm Lg	Grade 8.8
25	602415	6	Flanged Hex Head Bolt, M10 - 1.5 x 80mm Lg	Grade 12.9
26	601754	2	Flanged Hex Head Bolt, M10 - 1.5 x 100mm Lg	Grade 10.9
27	600525	8	Lock Nut, M10 - 1.5	
28	10387G2	2	Cotter Pin, .094" x 1"	
29	608005	2	Castle Nut, M12 - 1.25	SS
30	10033613	1	Steering Rack Assembly	
31	10005744	2	Control Arm Assembly	Includes Items 32 - 34
32	10007496	1	• Control Arm	
33	10010790	2	• Isolator Sleeve	Rubber
34	601340	2	• Bushing	

4 Steering Column Assembly includes items 5 - 9

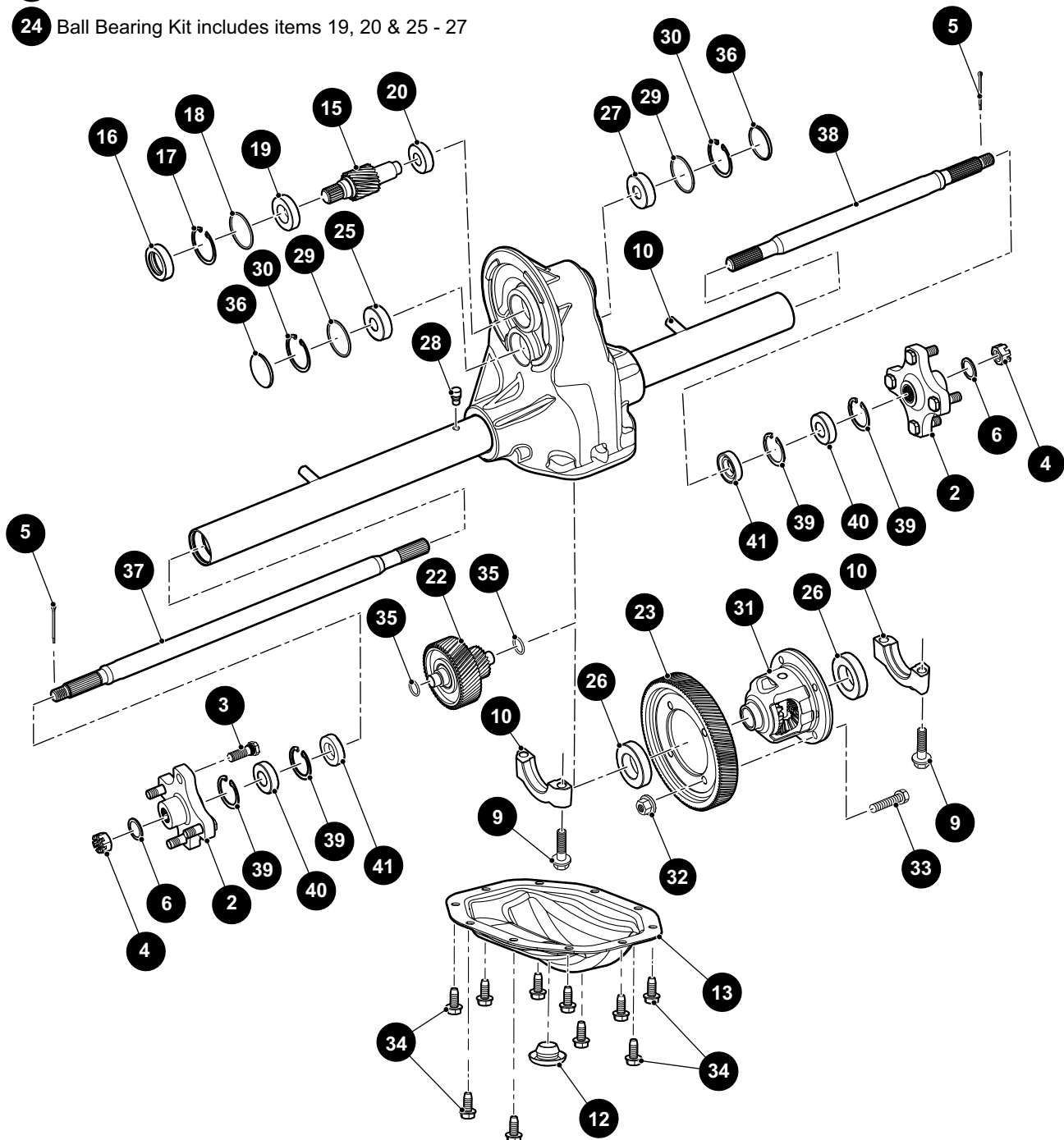


ITEM	PART NO.	QTY.	DESCRIPTION	NOTES
1	602980	1	Steering Wheel	
2	601709	1	Flanged Lock Nut, M16 - 2	
3	602572	4	Pan Head Taptite Bolt, M10 - 1.5 x 25mm Lg	Grade 8.8
4	691365	1	Steering Column Assembly	Includes Items 5 - 9
5	691315	1	• Steering Column	
6	608114	1	• Steering Yoke	
7	608653	2	• Socket Head Bolt, M10 - 1.5 x 35mm Lg	
8	608654	2	• Lock Washer, 10.5mm	
9	608655	1	• Hex Nut, M10 - 1.5	
10	71147G01	1	Steering Wheel Cover	
11	10011107G01	1	Steering Column Grommet	



ITEM	PART NO.	QTY.	DESCRIPTION	NOTES
1	680638	1	Motor, 48V AC	
2	605714	1	Flex Loom Sleeve	
3	605741	6	Hex Head Bolt, M6 - 1 x 25mm Lg	
4	601327	6	Lock Washer, M6	SS
5	10049608	1	Harness Mounting Bracket	
6	645340	2	Cable Tie	
7	10038144	1	Cable Tie, .394"	

- 1** Axle Assembly 16.99:1 includes items 2 - 41
- 7** Axle, 16.99:1 includes items 8 - 41
- 8** Axle Housing includes items 9, 10
- 11** Differential Cover Assembly Kit includes items 12, 13
- 14** Input Gear Kit includes items 15 - 20
- 21** Internal Gears Kit includes items 15, 22 & 23
- 24** Ball Bearing Kit includes items 19, 20 & 25 - 27



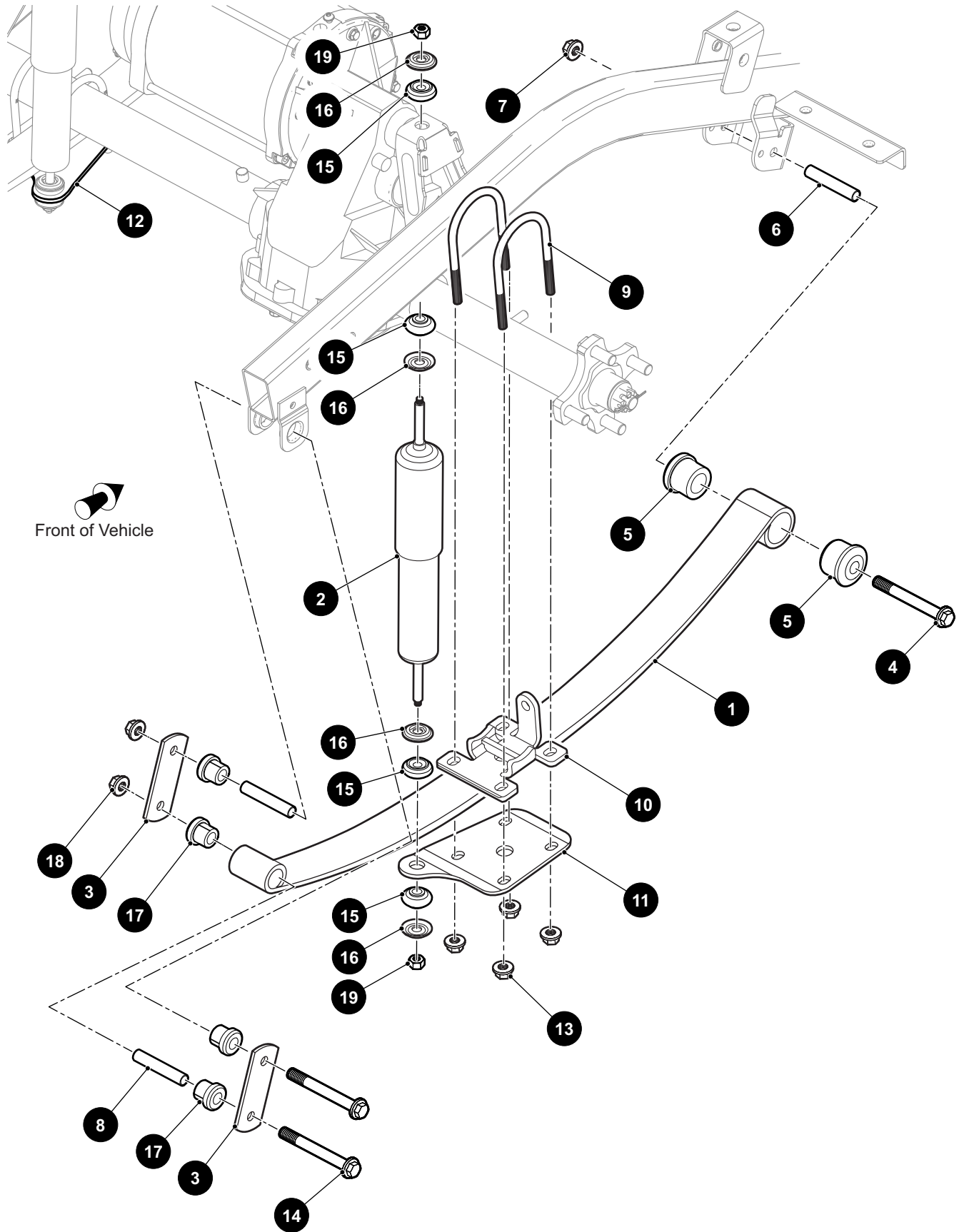
ITEM	PART NO.	QTY.	DESCRIPTION	NOTES
1	10029349	1	Axle Assembly 16.99:1	Includes Items 2 - 41
2	604112	2	• Rear Axle Hub	
3	644957	8	• Wheel Bolt	
4	612928	2	• Slotted Hex Nut, 5/8" - 18	
5	10077771	2	• Cotter Pin, 5/32" x 2" Lg	
6	15487G1	2	• Flat Washer (Brake Drum), 1.5"O.D x .76" I.D.	
7	10030506	1	• Axle, 16.99:1	Includes Items 8 - 41
8	***	1	• • Axle Housing	Includes Items 9, 10
9	*	4	• • • Flanged Hex Head Bolt, 3/8" - 16x2.12" Lg	
10	618650	2	• • • Axle Bracket Locating Pin	
11	620363	1	• • • Differential Cover Assembly Kit	Includes Items 12, 13
12	620347	1	• • • Rubber Plug	
13	620348	1	• • • Differential Cover Plate	
14	620329	1	• • Input Gear Kit	Includes Items 15 - 20
15	620327	1	• • • Input Gear	
16	620328	1	• • • Oil Seal	
17	23530G1	1	• • • Retaining Ring, 2.059" Dia	
18	24628G1	1	• • • O-Ring Seal, 1.84" I.D.	
19	*	1	• • • Ball Bearing, .984" I.D. x 1.85" O.D.	
20	23520G1	1	• • • Ball Bearing, .669" I.D. x 1.97" O.D.	
21	620361	1	• • Internal Gears Kit	Includes Items 15, 22 & 23
22	620349	1	• • • Intermediate Gear Assembly	
23	620350	1	• • • Drive Gear	
24	620362	1	• • Ball Bearing Kit	Includes Items 19, 20 & 25 - 27
25	620340	1	• • • Ball Bearing	
26	17473G1	2	• • • Differential Bearing Assembly	
27	620355	1	• • • Ball Bearing	
28	620357	1	• • Axle Vent	
29	620358	2	• • O-Ring	
30	620359	2	• • Retaining Ring	
31	614059	1	• • Limited Slip Differential	
32	601084	4	• • Lock Nut, 3/8" - 24	
33	*	4	• • Flanged Hex Head Bolt, 3/8" - 24 x 1 1/4" Lg	

# Rear Axle



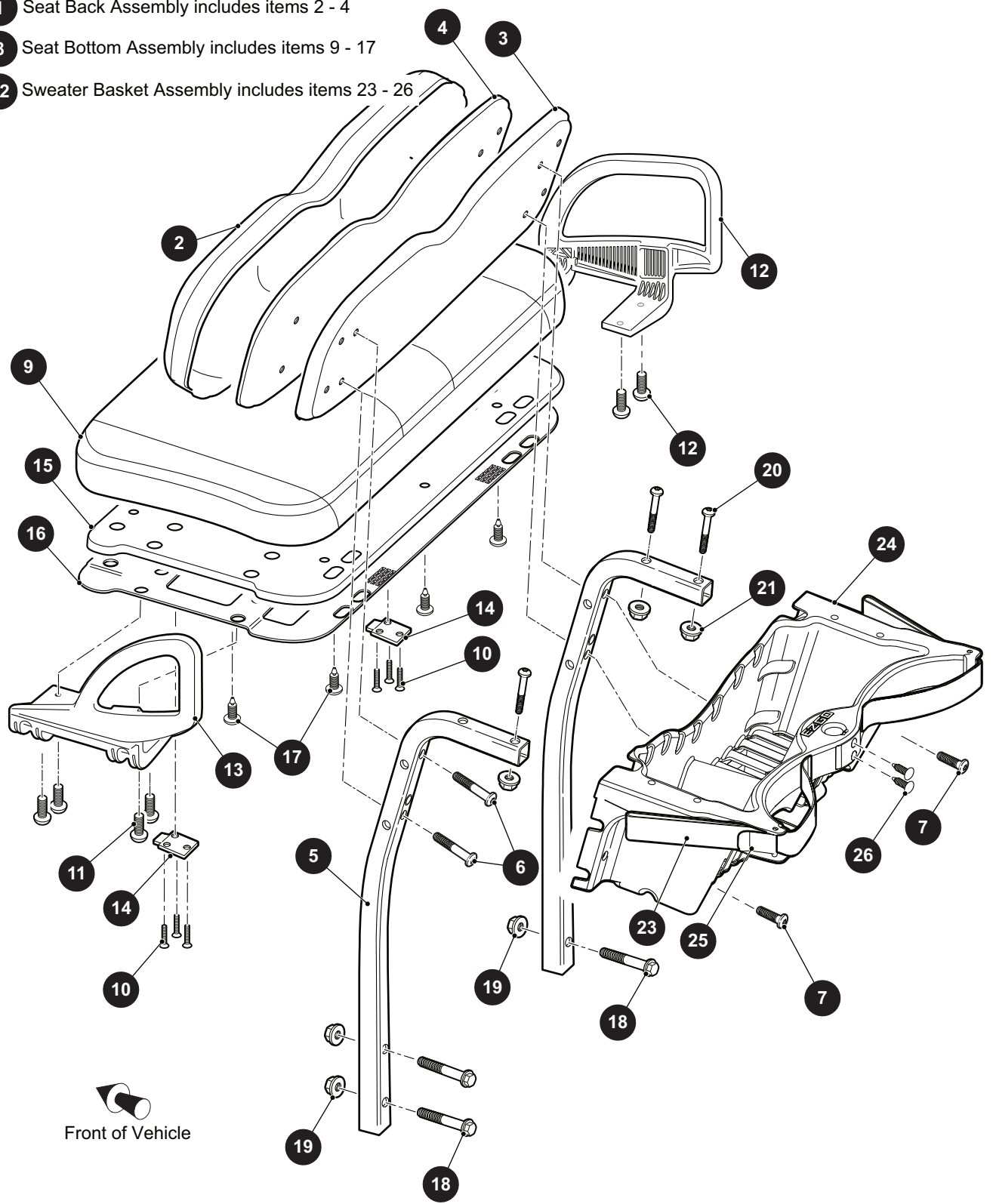
ITEM	PART NO.	QTY.	DESCRIPTION	NOTES
34	620346	10	• • Flanged Hex Head Bolt, 5/16" - 18 x 3/4" Lg	
35	620345	2	• • O-Ring	
36	608811	2	• • End Cap Plug	
37	614208	1	• • Axle Shaft, Long	Driver Side
38	614209	1	• • Axle Shaft, Short	Passenger Side
39	*	4	• • Retaining Ring	
40	*	2	• • Ball Bearing	
41	*	2	• • Oil Seal	





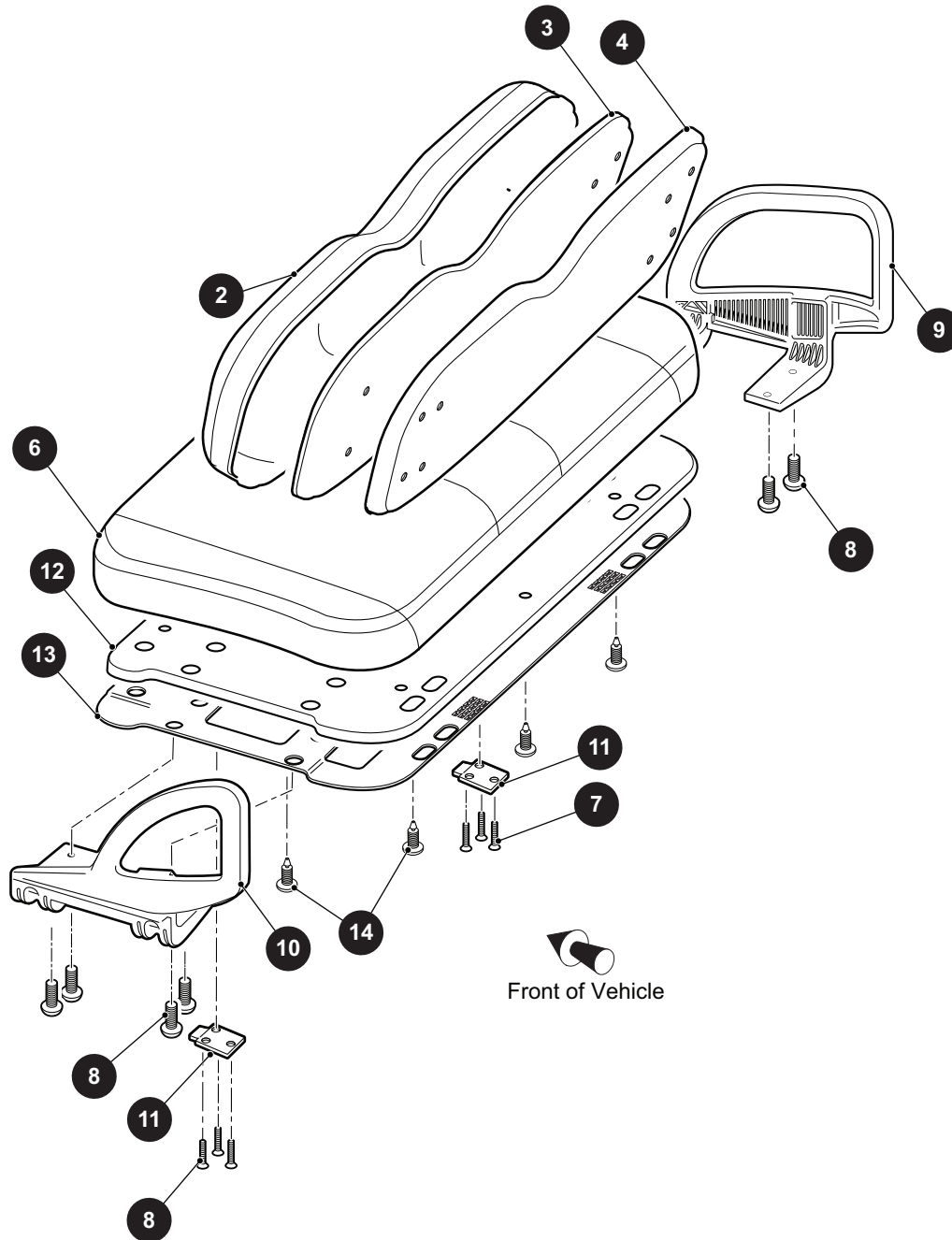
ITEM	PART NO.	QTY.	DESCRIPTION	NOTES
1	10027610	2	Tapered Leaf Spring	Heavy Duty
2	10024650	2	Shock Absorber	
3	652245	4	Shackle Plate	
4	601754	2	Flanged Hex Head Bolt, M10 - 1.5 x 100mm Lg	Grade 10.9
5	10029179	4	Flanged Bushing	Urethane
6	10030184	2	Split Spacer	Steel
7	600525	2	Flanged Lock Nut, M10 - 1.5	
8	10030184	4	Split Spacer	Steel
9	10011091	4	U-Bolt, 65mm Dia. x 35mm x 105mm Lg	
10	10023387	2	Axle Support Bracket	
11	625658	1	Shock Mount Plate	Passenger Side
12	625657	1	Shock Mount Plate	Driver Side
13	600525	8	Flanged Lock Nut, M10 - 1.5	
14	601754	4	Flanged Hex Head Bolt, M10 - 1.5 x 100mm Lg	Grade 10.9
15	10194G1	8	Rubber Bushing	
16	10435G1	8	Shock Absorber Washer	1.25" O.D. x .406" I.D x .22"
17	10025892	8	Flanged Bushing	
18	600525	4	Flanged Lock Nut, M10 - 1.5	
19	*	4	Hex Nut, 3/8" - 24	

- 1 Seat Back Assembly includes items 2 - 4
- 8 Seat Bottom Assembly includes items 9 - 17
- 22 Sweater Basket Assembly includes items 23 - 26



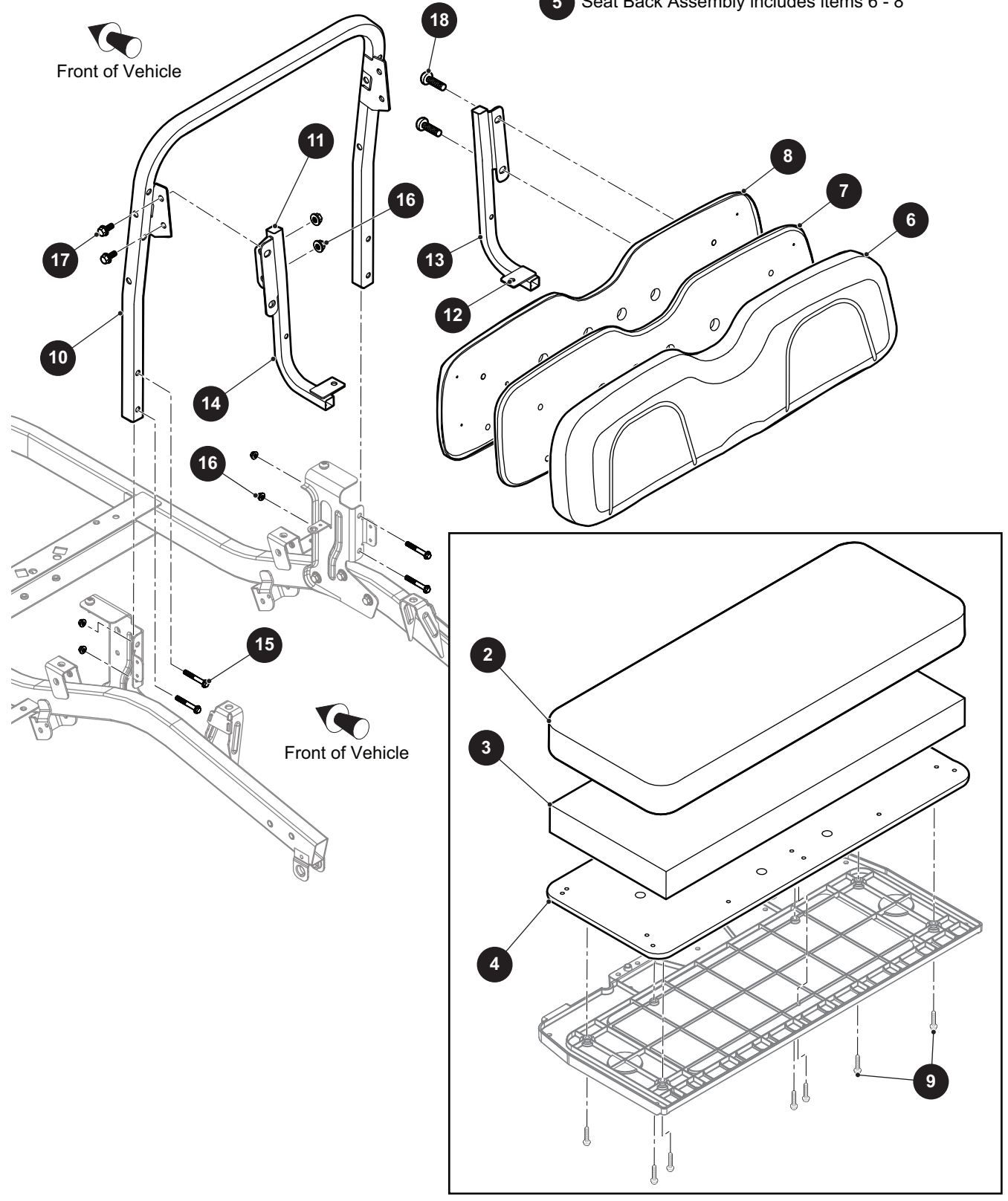
ITEM	PART NO.	QTY.	DESCRIPTION	NOTES
1	***	1	Seat Back Assembly 641897G0002 Stone Beige 641897G0006 Black 641897G0004 Gray	Includes Items 2 - 4
2	***	1	<ul style="list-style-type: none"> <li>Vinyl Seat Back Cover</li> <li>644820G02 Stone Beige</li> <li>644820G06 Black</li> <li>644820G04 Gray</li> </ul>	
3	605529	1	<ul style="list-style-type: none"> <li>Seat Back Cover</li> </ul>	
4	644268	1	<ul style="list-style-type: none"> <li>Seat Back Hip Base</li> </ul>	
5	602413	2	Seat Back Support Strut	
6	10029147	4	Button Head Torx Bolt, M10 - 1.5 x 60mm Lg	Grade 8.8
7	600530	2	Button Head Torx Bolt, M10 - 1.5 x 25mm Lg	Grade 8.8
8	***	1	Seat Bottom Assembly 629269G4002 Stone Beige 629269G4006 Black 629269G4004 Gray	Includes Items 9 - 17
9	***	1	<ul style="list-style-type: none"> <li>Vinyl Seat Bottom Cover</li> <li>644819G02 Stone Beige</li> <li>644819G06 Black</li> <li>644819G04 Gray</li> </ul>	
10	00720G08	6	<ul style="list-style-type: none"> <li>Flat Head Phillips Tapping Screw</li> </ul>	#12 - 14 x 1" Lg
11	615417	8	<ul style="list-style-type: none"> <li>Button Head Torx Bolt, M10 - 1.5 x 25mm Lg</li> </ul>	
12	617644	1	<ul style="list-style-type: none"> <li>Hip Restraint</li> </ul>	Passenger Side
13	617645	1	<ul style="list-style-type: none"> <li>Hip Restraint</li> </ul>	Driver Side
14	71610G01	2	<ul style="list-style-type: none"> <li>Seat Hinge</li> </ul>	
15	10007867	1	<ul style="list-style-type: none"> <li>Base Assembly</li> </ul>	
16	602551	1	<ul style="list-style-type: none"> <li>Seat Bottom Cover</li> </ul>	
17	16816G2	4	<ul style="list-style-type: none"> <li>Ratchet Rivet, .25 x .887</li> </ul>	
18	603800	4	Flanged Hex Head Bolt, M10 - 1.5 x 50mm Lg	Grade 8.8
19	600525	4	Flanged Lock Nut, M10 - 1.5	
20	600527	4	Button Head Torx Bolt, M10 - 1.5 x 60mm Lg	Grade 8.8
21	600525	4	Flanged Lock Nut, M10 - 1.5	
22	602742	1	Sweater Basket Assembly	Includes Items 23 - 26
23	604102	1	<ul style="list-style-type: none"> <li>Bag Strap</li> </ul>	
24	*	1	<ul style="list-style-type: none"> <li>Sweater Basket</li> </ul>	
25	608051	2	<ul style="list-style-type: none"> <li>Clamp</li> </ul>	
26	16816G1	2	<ul style="list-style-type: none"> <li>Ratchet Rivet, .25" x .680"</li> </ul>	

- 1 Seat Back Assembly includes items 2 - 4
- 5 Seat Bottom Assembly includes items 6 - 14

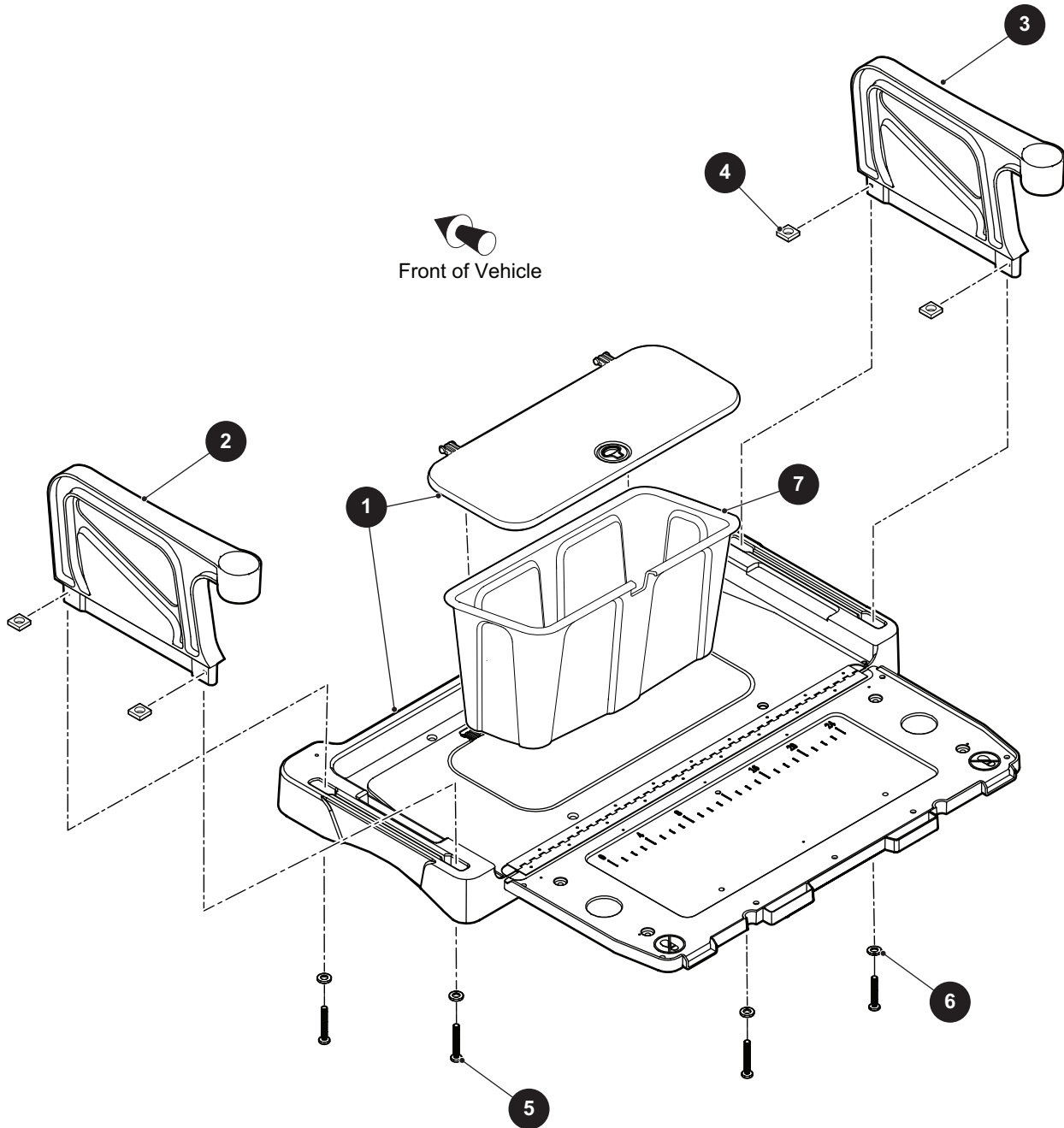


ITEM	PART NO.	QTY.	DESCRIPTION	NOTES
1	***	1	Seat Back Assembly 641897G0002 Stone Beige 641897G0006 Black 641897G0004 Gray	Includes Items 2 - 4
2	***	1	<ul style="list-style-type: none"> <li>Vinyl Seat Back Cover</li> <li>644820G02 Stone Beige</li> <li>644820G06 Black</li> <li>644820G04 Gray</li> </ul>	
3	605529	1	<ul style="list-style-type: none"> <li>Seat Back Cover</li> </ul>	
4	644268	1	<ul style="list-style-type: none"> <li>Seat Back Hip Base</li> </ul>	
5	***	1	Seat Bottom Assembly 629269G4002 Stone Beige 629269G4006 Black 629269G4004 Gray	Includes Items 6 - 14
6	***	1	<ul style="list-style-type: none"> <li>Vinyl Seat Bottom Cover</li> <li>644819G02 Stone Beige</li> <li>644819G06 Black</li> <li>644819G04 Gray</li> </ul>	
7	00720G08	6	<ul style="list-style-type: none"> <li>Flat Head Phillips Tapping Screw</li> </ul>	#12 - 14 x 1" Lg
8	615417	8	<ul style="list-style-type: none"> <li>Button Head Torx Bolt, M10 - 1.5 x 25mm Lg</li> </ul>	
9	617644	1	<ul style="list-style-type: none"> <li>Hip Restraint</li> </ul>	Passenger Side
10	617645	1	<ul style="list-style-type: none"> <li>Hip Restraint</li> </ul>	Driver Side
11	71610G01	2	<ul style="list-style-type: none"> <li>Seat Hinge</li> </ul>	
12	10007867	1	<ul style="list-style-type: none"> <li>Base Assembly</li> </ul>	
13	602551	1	<ul style="list-style-type: none"> <li>Seat Bottom Cover</li> </ul>	
14	16816G2	4	<ul style="list-style-type: none"> <li>Ratchet Rivet, .25 x .887</li> </ul>	

- 1 Flip Seat Bottom Assembly includes items 2 - 4
- 5 Seat Back Assembly includes items 6 - 8



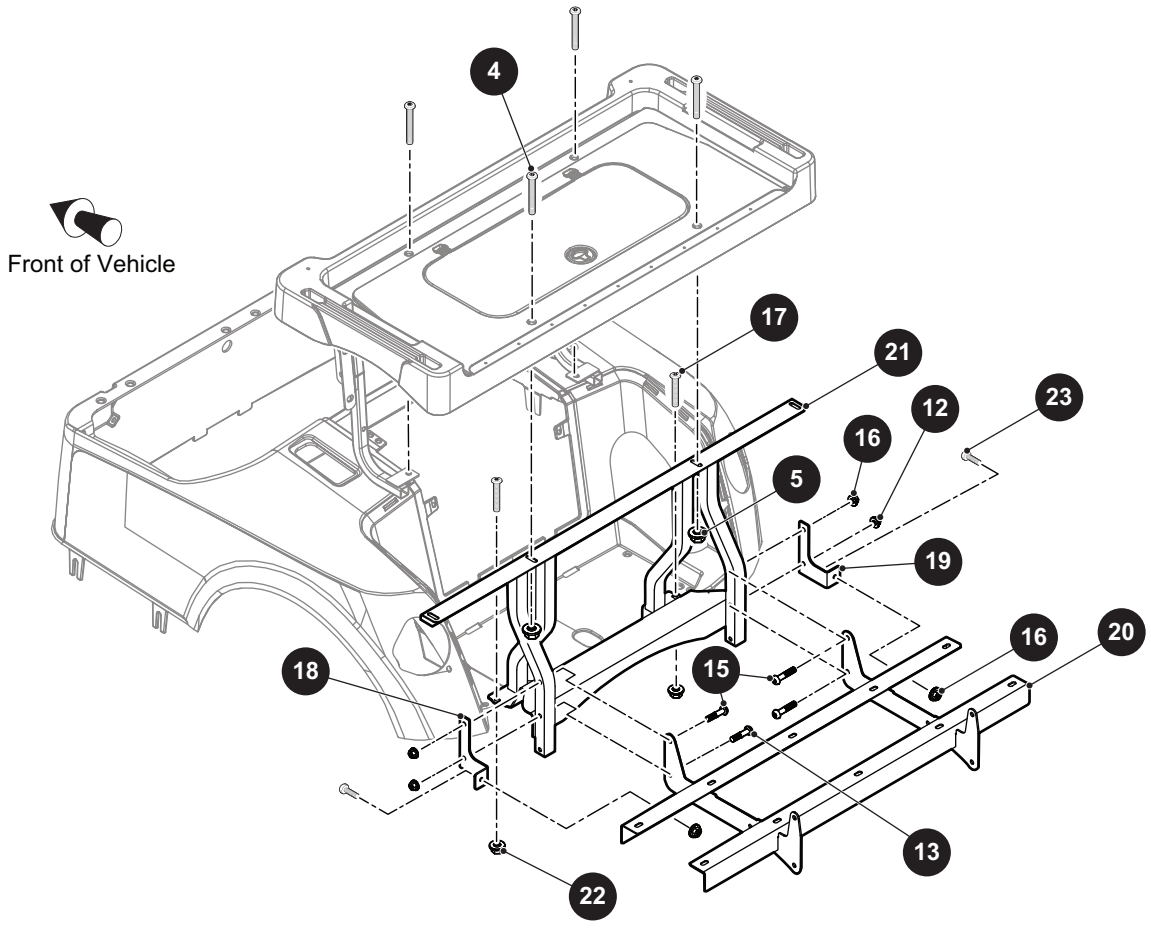
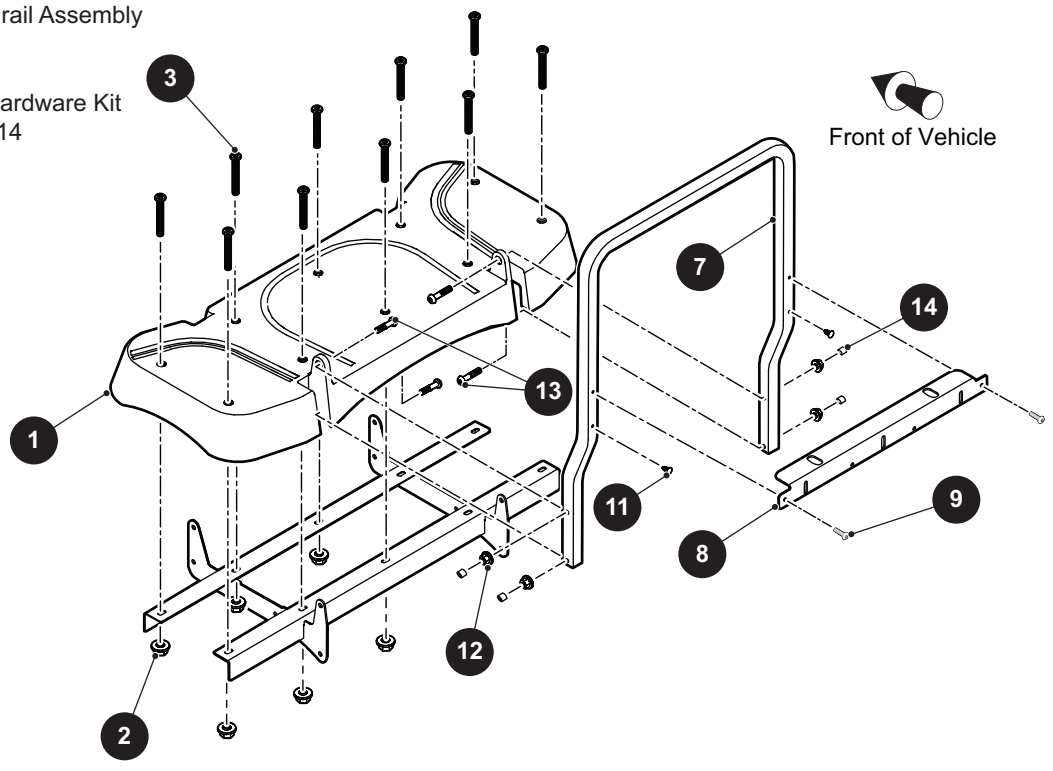
ITEM	PART NO.	QTY.	DESCRIPTION	NOTES
1	***	1	Flip Seat Bottom Assembly 699321G02 Stone Beige 699321G04 Gray 699321G06 Black	Includes Items 2 - 4
2	***	1	<ul style="list-style-type: none"> <li>Vinyl Seat Bottom</li> <li>10027441 Stone Beige</li> <li>617892 Gray</li> <li>615648 Black</li> </ul>	
3	699297	1	<ul style="list-style-type: none"> <li>Seat Bottom (Foam)</li> </ul>	
4	669061	1	<ul style="list-style-type: none"> <li>Seat Bottom</li> </ul>	
5	***	1	Seat Back Assembly 641897G0002 Stone Beige 641897G0004 Gray 641897G0006 Black	Includes Items 6 - 8
6	***	1	<ul style="list-style-type: none"> <li>Vinyl Seat Back Cover</li> <li>644820G02 Stone Beige</li> <li>644820G04 Gray</li> <li>644820G06 Black</li> </ul>	
7	605529	1	<ul style="list-style-type: none"> <li>Seat Back Cover</li> </ul>	
8	644268	1	<ul style="list-style-type: none"> <li>Seat Back Hip Base</li> </ul>	
9	10008132	7	Flanged Hex Head Bolt, 1/4" - 20 x 1 1/4" Lg	
10	604473	1	Seat Support	
11	19853G1	2	Tube Cap	
12	10032022	2	Barrel Clip, M8 x 1.25	
13	689616	1	Rear Facing Seat Support	Passenger Side
14	689466	1	Rear Facing Seat Support	Driver Side
15	603800	4	Flanged Hex Head Bolt, M10 -1.5 x 50mm Lg	Grade 8.8
16	600525	8	Flanged Lock Nut, M10 - 1.5	
17	603799	4	Flanged Hex Head Bolt, M10 - 1.5 x 25mm Lg	Grade 8.8
18	600530	4	Button Head Torx Bolt, M10 - 1.5 x 25mm Lg	Grade 8.8



ITEM	PART NO.	QTY.	DESCRIPTION	NOTES
1	10009995	1	Board Deck Assembly	
2	10007825G01	1	Arm Rest	Driver Side
3	10007825G02	1	Arm Rest	Passenger Side
4	10007630	4	Flat Square Nut M8 - 1.25	
5	10008553	4	Button Head Torx Bolt, M8 - 1.5 x 50mm Lg	
6	606272	4	Lock Washer, 8mm	
7	10005533	1	Bucket	

**6** Rear Footrest Handrail Assembly includes items 7 - 9

**10** Footboard Frame Hardware Kit includes items 11 - 14

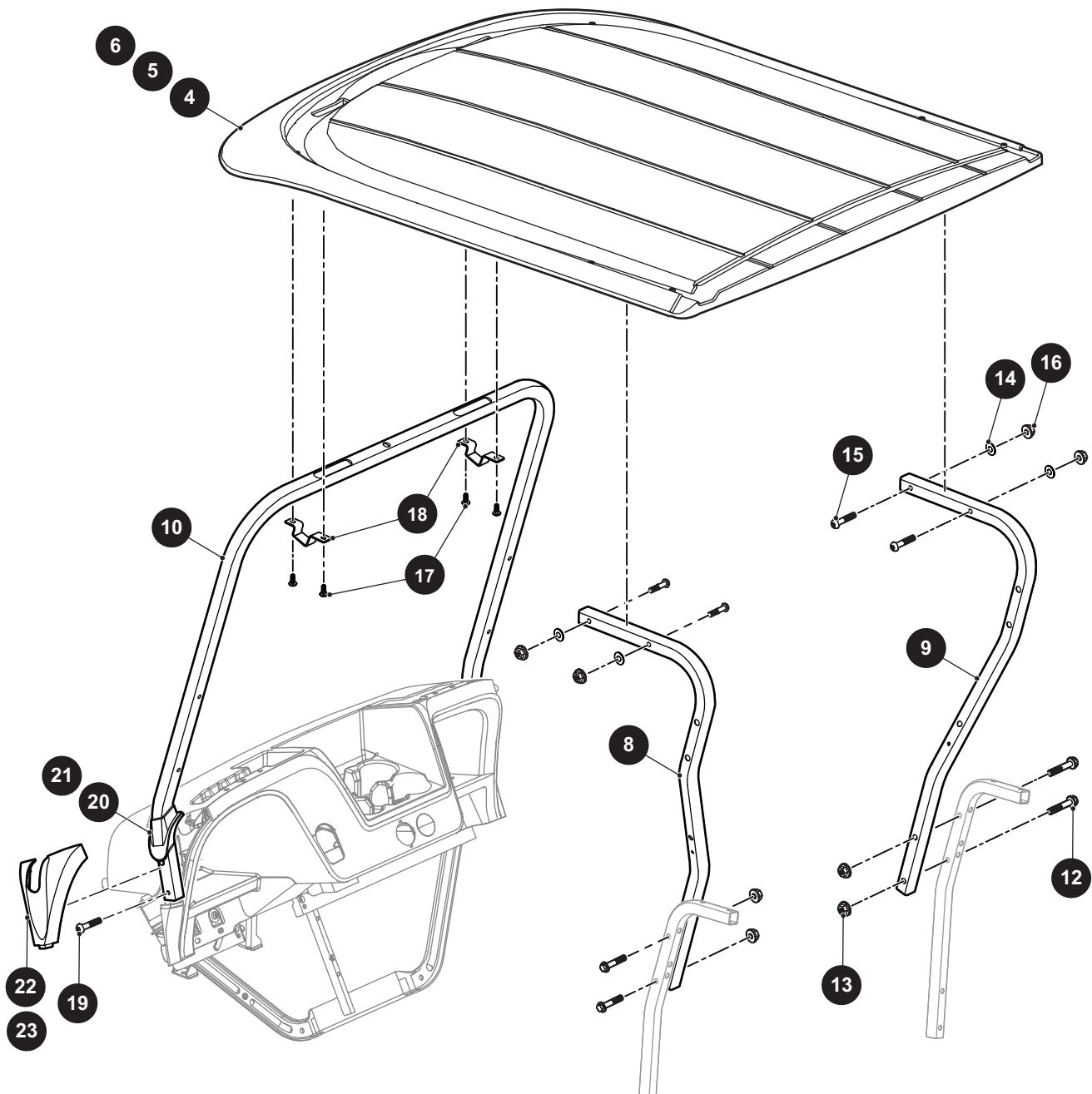


ITEM	PART NO.	QTY.	DESCRIPTION	NOTES
1	10006567	1	Footrest	
2	645956	10	Flanged Hex Nut, M8 - 1.25	
3	10007031	10	Button Head Torx Bolt, M8 - 1.25 x 35mm Lg	
4	10007031	4	Button Head Torx Bolt, M8 - 1.25 x 35mm Lg	
5	645956	2	Flanged Hex Nut, M8 - 1.25	
6	10022889	1	Rear Footrest Handrail Assembly	Includes Items 7 - 9
7	10007862	1	• Footrest Handrail	
8	10007865	1	• Handrail Crossmember	
9	10023112	2	• Thread Forming Button Head Torx Screw	M6 - 1 x 20mm Lg
10	10020081	1	Footboard Frame Hardware Kit	Includes Items 11 - 14
11	16816G5	2	• Ratchet Rivet, .187" x .550"	
12	645956	6	• Flanged Hex Nut, M8 - 1.25	
13	10008552	6	• Button Head Torx Bolt, M8 - 1.25 x 60mm Lg	
14	10031844	4	• Thread Cover Cap	
15	10008552	2	Button Head Torx Bolt, M8 - 1.25 x 60mm Lg	
16	645956	4	Flanged Hex Nut, M8 - 1.25	
17	10029267	2	Flanged Round Head Screw, 1/4" - 20 x 2" Lg	
18	10006228G0104	1	Pin Plate	Driver Side
19	10006228G0204	1	Pin Plate	Passenger Side
20	10006263	1	Footrest Frame	
21	10043291	1	Seat Mounting Frame	
22	10007945	2	Flanged Hex Nut, 1/4" - 20	
23	10007031	2	Button Head Torx Bolt, M8 - 1.25 x 35mm Lg	

- 1 Modular Sun Top Kit, Black includes items 4, 7 - 23
- 2 Modular Sun Top Kit, Stone Beige includes items 5, 7 - 23
- 3 Modular Sun Top Kit, Oyster includes items 6 - 23
- 7 Strut Kit includes items 8 - 23
- 11 Hardware Kit includes items 12 - 23

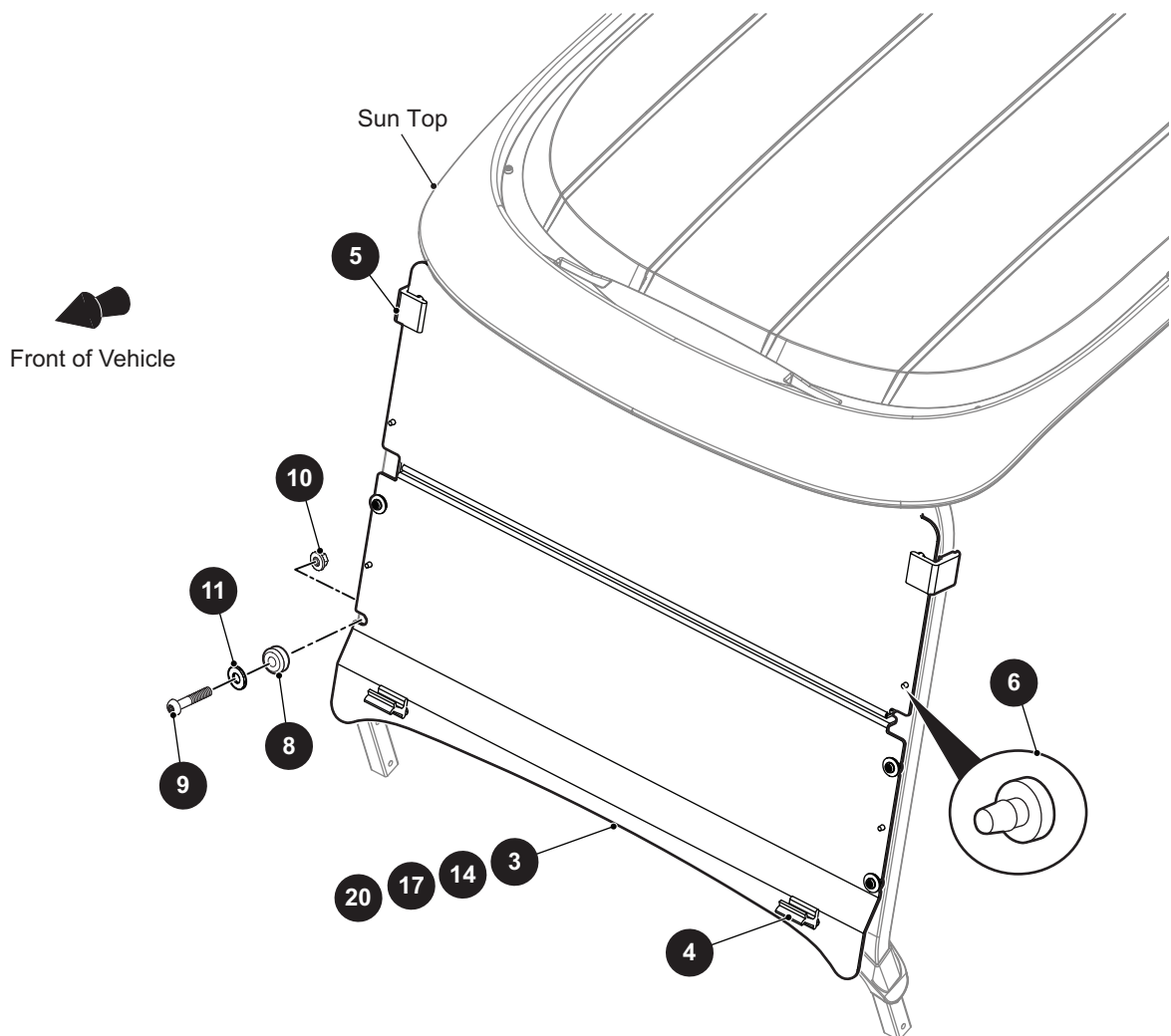


Front of Vehicle



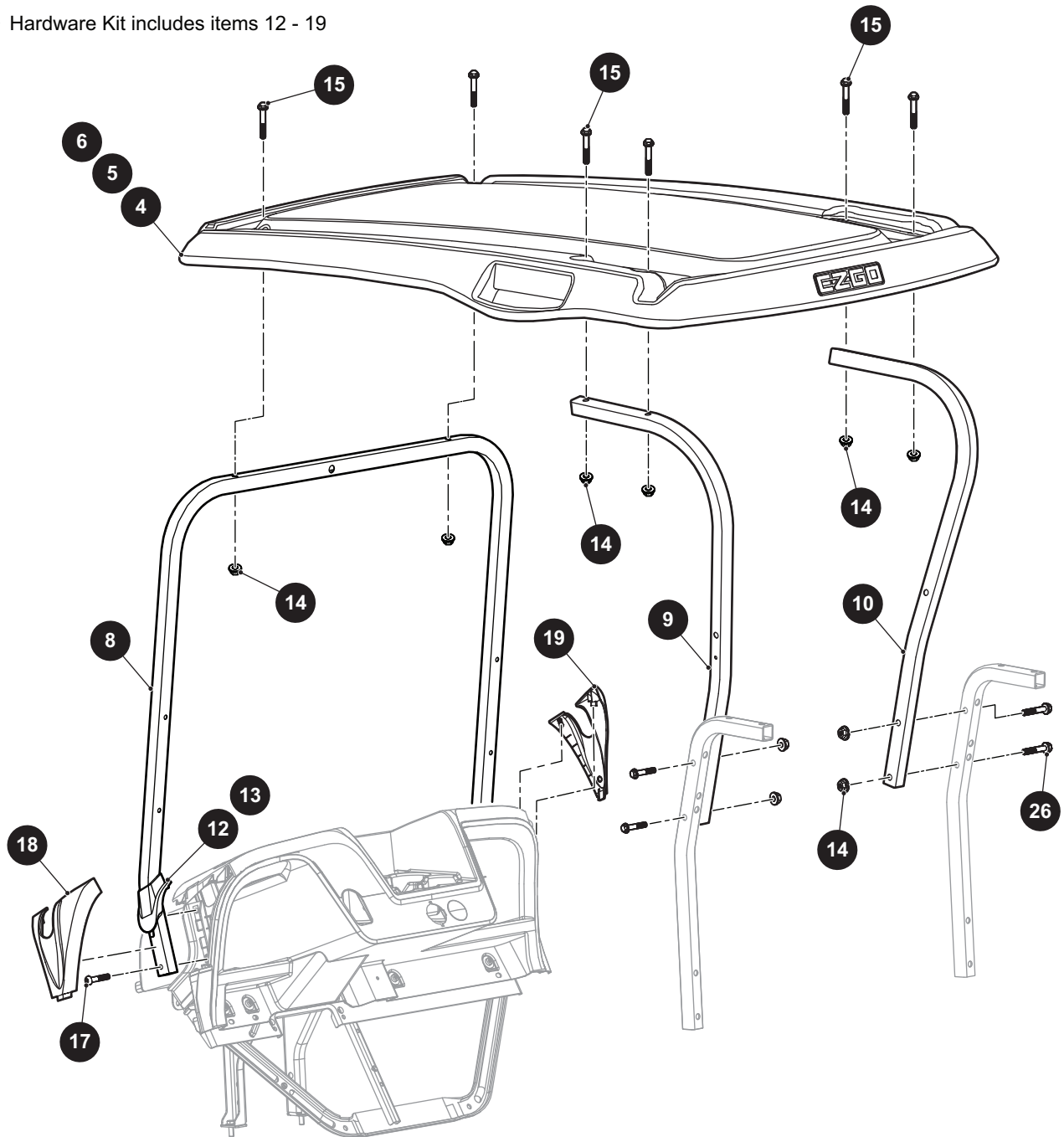
ITEM	PART NO.	QTY.	DESCRIPTION	NOTES
1	10033791G0101	1	Modular Sun Top Kit, Black	Includes Items 4, 7 - 23
2	10033791G0102	1	Modular Sun Top Kit, Stone Beige	Includes Items 5, 7 - 23
3	10033791G0104	1	Modular Sun Top Kit, Tan	Includes Items 6 - 23
4	10094160G01	1	• Modular Sun Top, Black	
5	10094160G02	1	• Modular Sun Top, Stone Beige	
6	10094160G04	1	• Modular Sun Top, Tan	
7	10033793	1	• Strut Kit	Includes Items 8 - 23
8	10027152G01	1	• • Rear Strut	Driver Side
9	10027152G02	1	• • Rear Strut	Passenger Side
10	10029350G0411	1	• • Front Strut	
11	10033794	1	• • Hardware Kit	Includes Items 12 - 23
12	602415	4	• • • Flanged Hex Head Bolt	M10 - 1.5 x 80mm Lg
13	600525	10	• • • Flanged Lock Nut, M10 - 1.5	
14	616671	4	• • • Flat Washer, M8	
15	10008552	4	• • • Button Head Torx Bolt	M8 - 1.25 x 60mm Lg
16	645956	4	• • • Flanged Hex Nut, M8 - 1.25	
17	10033018	4	• • • Plastite Screw, M6 - 2.14 x 20 mm Lg	
18	10033573	2	• • • Front Canopy Bracket	
19	10008553	4	• • • Button Head Torx Bolt	M8 - 1.25 x 50mm Lg
20	10021841G01	1	• • • Strut Grommet	Driver Side
21	10021841G02	1	• • • Strut Grommet	Passenger Side
22	10048045G01	1	• • • Strut Cover Assembly	Driver Side
23	10048045G02	1	• • • Strut Cover Assembly	Passenger Side

- 1 Modular Split Windshield Assembly includes items 2 - 11
- 2 Split Windshield includes items 3 - 6
- 7 Hardware Kit includes items 8 - 11
- 12 Split Windshield Assembly includes items 4 - 11, 13
- 13 Split Windshield includes items 4 - 6, 14
- 15 Tinted Modular Split Windshield Assembly includes items 4 - 11, 16
- 16 Split Windshield includes items 4 - 6, 17
- 18 Tinted Split Windshield Assembly includes items 4 - 11, 19
- 19 Split Windshield includes items 4 - 6, 20



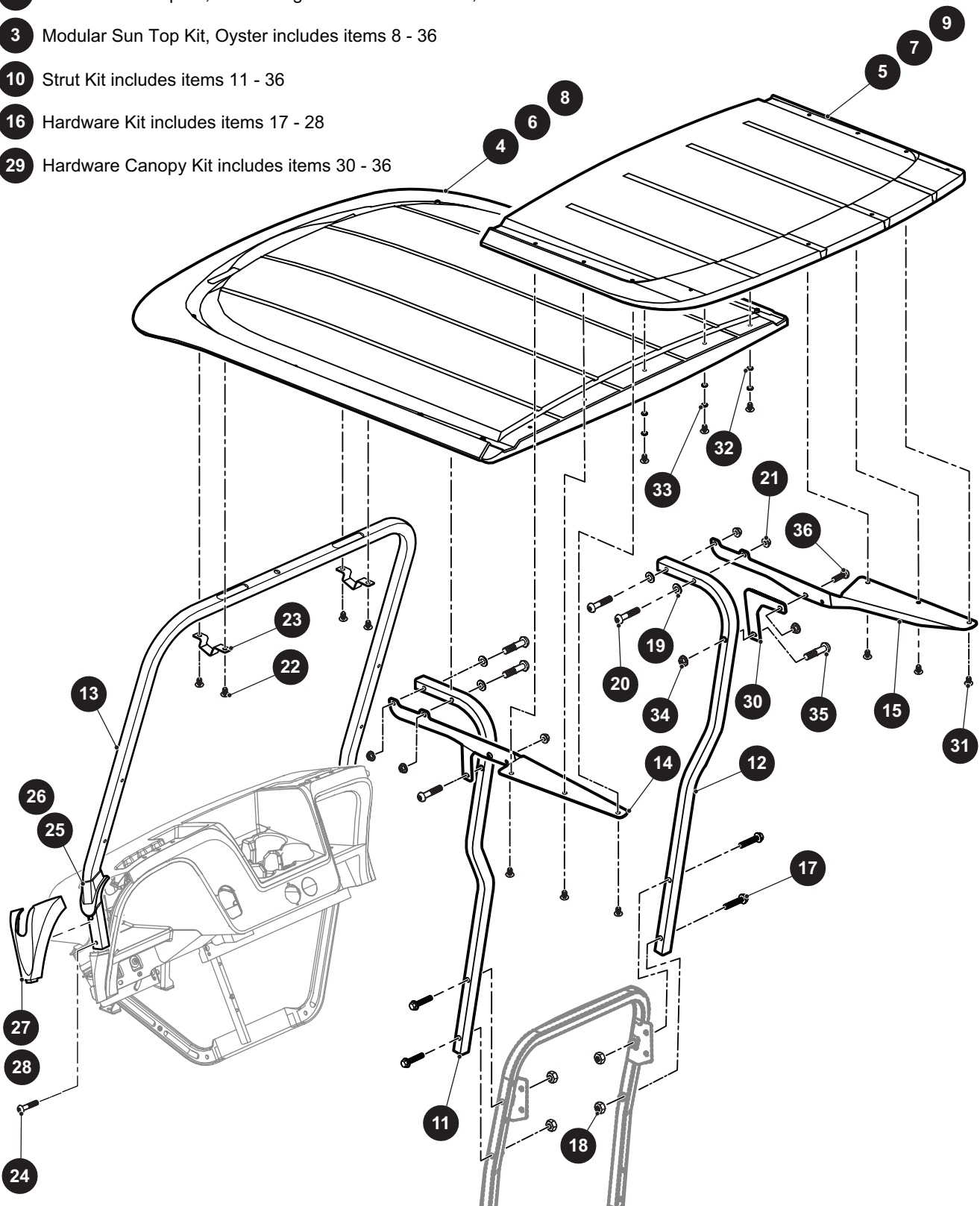
ITEM	PART NO.	QTY.	DESCRIPTION	NOTES
1	10020144	1	Modular Split Windshield Assembly	Includes Items 2 - 11
2	10019699G01	1	• Split Windshield	Includes Items 3 - 6
3	10019698G01	1	• • Windshield	
4	603201	2	• • Lower Latch	
5	603198	2	• • Upper Latch	
6	604115	4	• • Grommet	
7	10011015	1	• Hardware Kit	Includes Items 8 - 11
8	604116	4	• • Grommet	
9	10008552	4	• • Button Head Torx Bolt, M8 - 1.25 x 60mm Lg	
10	645956	4	• • Flanged Lock Nut, M8 - 1.25	
11	604066	4	• • Flat Washer, M10 - 10.5 x 30	
12	10020145	1	Split Windshield Assembly	Includes Items 4 - 11, 13
13	10019690G01	1	• Split Windshield	Includes Items 4 - 6, 14
14	10019689G01	1	• • Windshield	
15	10020146	1	Tinted Modular Split Windshield Assembly	Includes Items 4 - 11, 16
16	10019699G02	1	• Split Windshield	Includes Items 4 - 6, 17
17	10019689G02	1	• • Windshield	
18	10020147	1	Tinted Split Windshield Assembly	Includes Items 4 - 11, 19
19	10019690G02	1	• Split Windshield	Includes Items 4 - 6, 20
20	10019689G02	1	• • Windshield	
21	PF11712	1	Rear View Mirror	

- 1 Sun Top Kit, Black includes items 4, 7 - 19
- 2 Sun Top Kit, Stone Beige includes items 5, 7 - 19
- 3 Sun Top Kit, Oyster includes items 6 - 19
- 7 Strut Kit includes items 8 - 19
- 11 Hardware Kit includes items 12 - 19



ITEM	PART NO.	QTY.	DESCRIPTION	NOTES
1	10015285G01	1	Sun Top Kit, Black	Includes Items 4, 7 - 19
2	10015285G02	1	Sun Top Kit, Stone Beige	Includes Items 5, 7 - 19
3	10015285G03	1	Sun Top Kit, Oyster	Includes Items 6 - 19
4	613227	1	• Sun Top	
5	608198	1	• Sun Top	
6	608015	1	• Sun Top	
7	10015287	1	• Strut Kit	Includes Items 8 - 19
8	10006097G0411	1	• • Front Strut	
9	614309	1	• • Rear Strut	Driver Side
10	614310	1	• • Rear Strut	Passenger Side
11	10015288	1	• • Hardware Kit	Includes Items 12 - 19
12	10021841G01	1	• • • Strut Grommet	Driver Side
13	10021841G02	1	• • • Strut Grommet	Passenger Side
14	600525	10	• • • Flanged Lock Nut, M10 - 1.5	
15	603800	6	• • • Flanged Hex Head Bolt	M10 - 1.5 x 50mm Lg
16	602415	4	• • • Flanged Hex Head Bolt	M10 - 1.5 x 80mm Lg
17	10008553	4	• • • Button Head Torx Bolt	M8 - 1.25 x 50mm Lg
18	10048045G01	1	• • • Strut Cover Assembly	Driver Side
19	10048045G02	1	• • • Strut Cover Assembly	Passenger Side

- 1 Modular Sun Top Kit, Black includes items 4 - 5, 10 - 36
- 2 Modular Sun Top Kit, Stone Beige includes items 6 - 7, 10 - 36
- 3 Modular Sun Top Kit, Oyster includes items 8 - 36
- 10 Strut Kit includes items 11 - 36
- 16 Hardware Kit includes items 17 - 28
- 29 Hardware Canopy Kit includes items 30 - 36



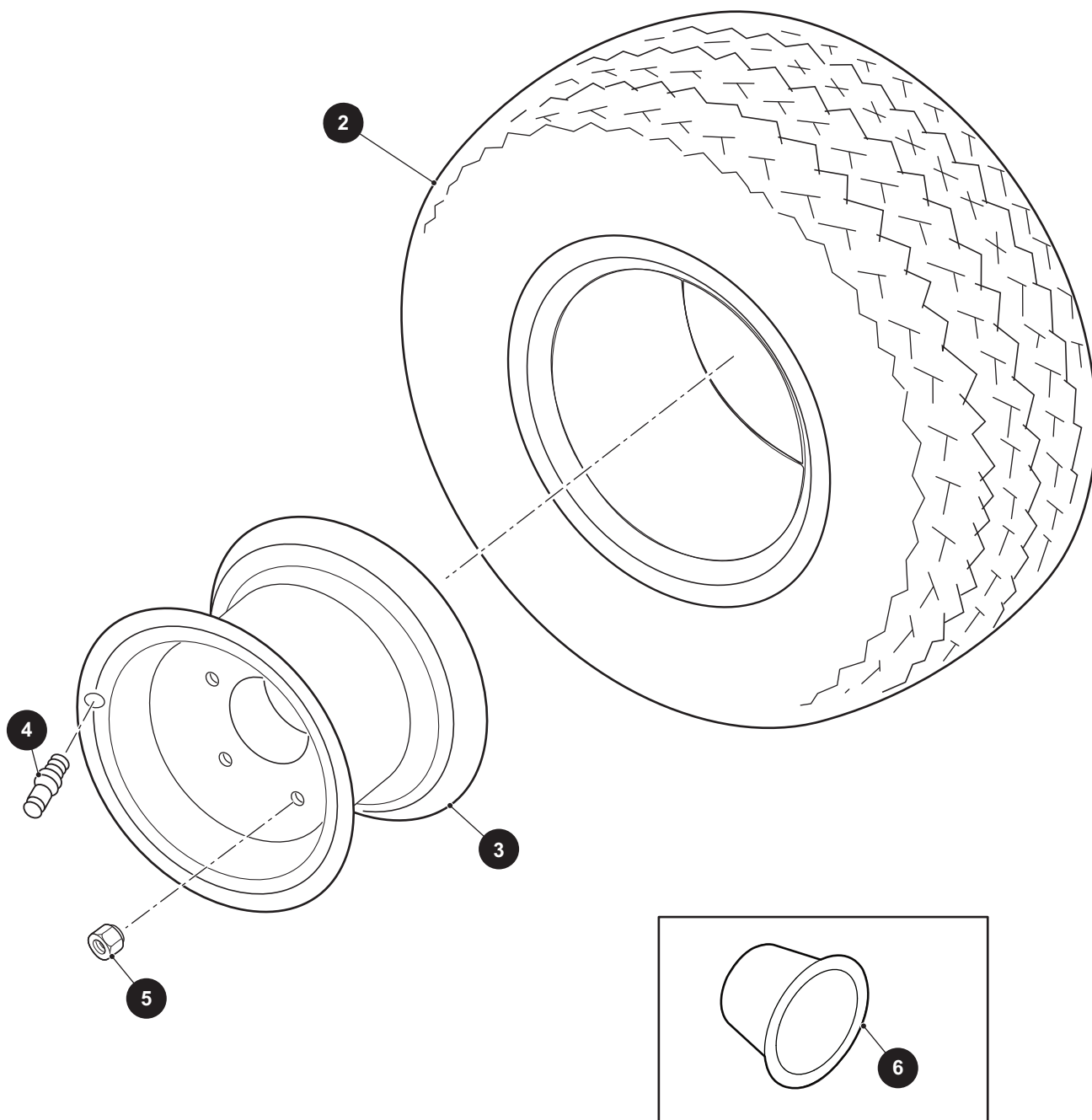
ITEM	PART NO.	QTY.	DESCRIPTION	NOTES
1	10015271G0101	1	Modular Sun Top Kit, Black	Includes Items 4 - 5, 10 - 36
2	10015271G0102	1	Modular Sun Top Kit, Stone Beige	Includes Items 6 - 7, 10 - 36
3	10015271G0104	1	Modular Sun Top Kit, Tan	Includes Items 8 - 36
4	10094160G01	1	• Short Canopy, Black	
5	10094159G01	1	• Long Canopy Extension, Black	
6	10094160G02	1	• Short Canopy, Stone Beige	
7	10094159G02	1	• Long Canopy Extension, Stone Beige	
8	10094160G04	1	• Short Canopy, Tan	
9	10094159G04	1	• Long Canopy Extension, Tan	
10	10015273	1	• Strut Kit	Includes Items 11 - 36
11	10009087G01	1	• • Rear Strut	Driver Side
12	10009087G02	1	• • Rear Strut	Passenger Side
13	10029350G0411	1	• • Front Strut	
14	10045541G01	1	• • Canopy Bracket	Driver Side
15	10045541G02	1	• • Canopy Bracket	Passenger Side
16	10033794	1	• • Hardware Kit	Includes Items 17 - 28
17	602415	4	• • • Flanged Hex Head Bolt	M10 - 1.5 x 80mm Lg
18	600525	10	• • • Flanged Lock Nut, M10 - 1.5	
19	616671	4	• • • Flat Washer, M8	
20	10008552	4	• • • Button Head Torx Bolt	M8 - 1.25 x 60mm Lg
21	645956	4	• • • Flanged Hex Nut, M8 - 1.25	
22	10033018	4	• • • Plastite Screw, M6 - 2.14 x 20 mm Lg	
23	10033573	2	• • • Canopy Bracket, Front	
24	10008553	4	• • • Button Head Torx Bolt	M8 - 1.25 x 50mm Lg
25	10021841G01	1	• • • Strut Grommet	Driver Side
26	10021841G02	1	• • • Strut Grommet	Passenger Side
27	10048045G01	1	• • • Strut Cover Assembly	Driver Side
28	10048045G02	1	• • • Strut Cover Assembly	Passenger Side
29	10010984	1	• • Hardware Canopy Kit	Includes Items 30 - 36
30	10045772	2	• • • Canopy Extension Bracket	
31	10033018	11	• • • Plastite Screw	M6 - 2.14 x 20mm Lg
32	608747	5	• • • Flat Washer, M6 x 1.5	
33	10000646	5	• • • Rubber Flat Washer, M6 x 1.5	



ITEM	PART NO.	QTY.	DESCRIPTION	NOTES
34	645956	4	• • • Flanged Hex Nut, M8 - 1.25	
35	10008553	2	• • • Button Head Torx Bolt	M8 - 1.25 x 50mm Lg
36	10016722	2	• • • Button Head Torx Bolt	M8 - 1.25 x 25mm Lg



- 1 Wheel and Tire Assembly, Kenda includes items 2 - 4

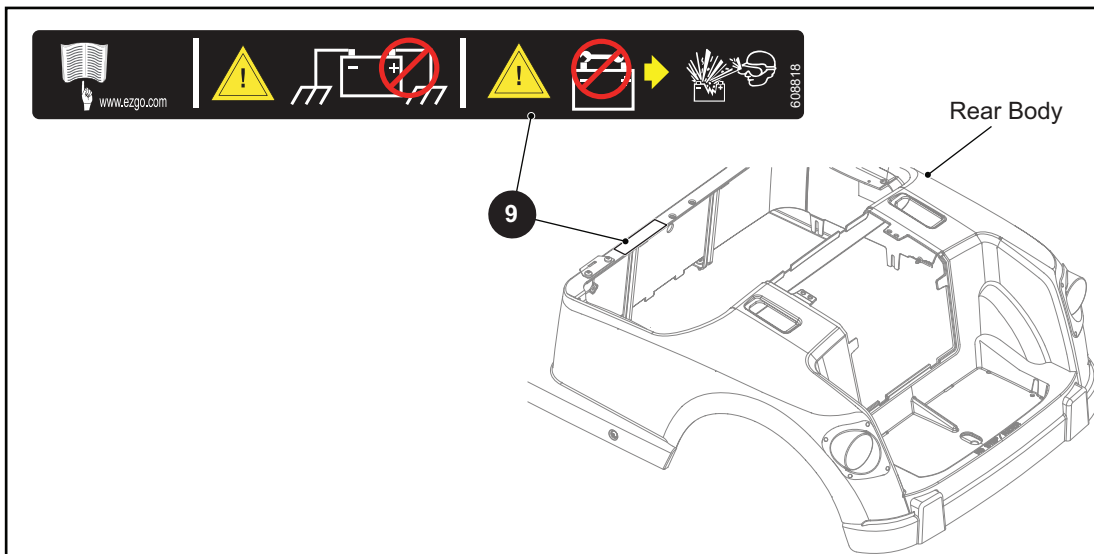
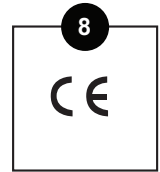
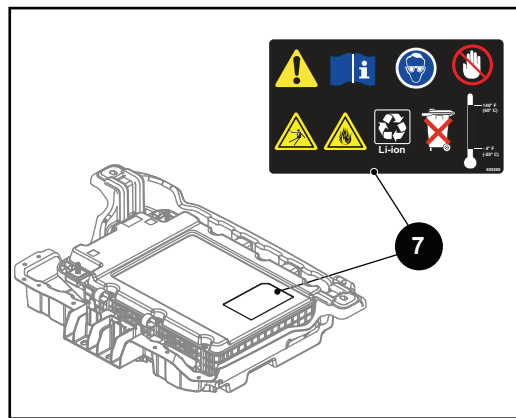
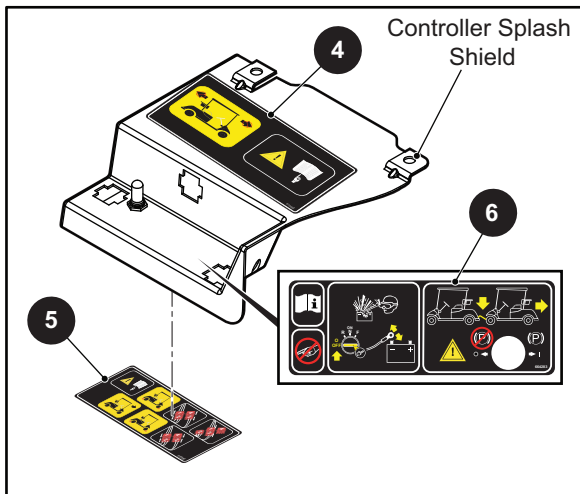
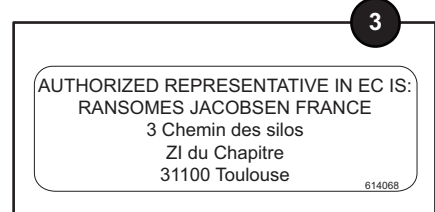
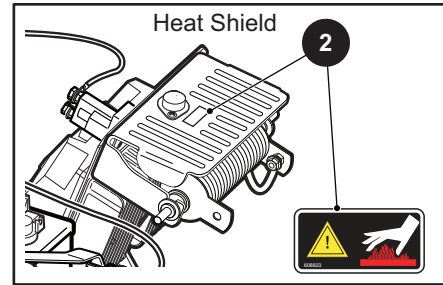
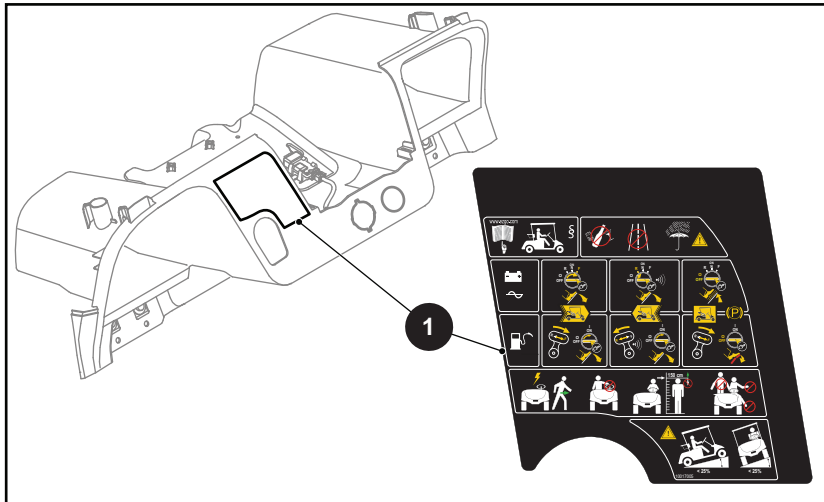


ITEM	PART NO.	QTY.	DESCRIPTION	NOTES
1	652263	4	Wheel and Tire Assembly, Kenda	Includes Items 2 - 4
2	652986	1	• Tire, 20" x 8 - 10	
3	643934	1	• Wheel, 10 x 6	
4	643948	1	• Valve Stem	
5	14723G1	16	Lug Nut, 1/2" - 20	
6	74175G01	2	Dust Cap, Molded	



ITEM	PART NO.	QTY.	DESCRIPTION	NOTES
1	10011930	1	E-Z-GO Name Plate	Platinum
2	10102008	1	E-Z-GO Name Plate	Black
3	10020820	2	Yellow Reflector	
4	10005569	1	Patent Label	
5	685698	1	Made in USA Decal	
6	651671	1	Pinch Warning Decal	For Valor 4
7	697425	1	Rear Seat Label	For Valor 4
8	608993	1	Side Reflector, LH	
9	608996	1	Side Reflector, RH	
10	625246	1	Rear Reflex Reflector, LH	
11	625244	1	Rear Reflex Reflector, RH	
12	10008571	2	Valor Branding Decal	Chrome
13	10081777	2	Valor Branding Decal	Black
14	612594	1	Tow Switch Warning Label	
15	609694	1	Towing Instruction Notice Label	
16	609987	1	Towing/Maintenance Label	

## FOR CE VEHICLES



ITEM	PART NO.	QTY.	DESCRIPTION	NOTES
1	10017005	1	Dash Decal	
2	608823	1	Hot Decal	
3	614068	1	Authorized Representative Decal	
4	610991	1	Towing/Maintenance Label	
5	610990	1	Towing Instruction Notice Label	
6	664283	1	Run/Tow Label	
7	659260	1	Advanced Battery Warning Label	
8	601783	1	CE Decal	
9	608818	1	Grounding Label	







**TEXTRON SPECIALIZED VEHICLES, INC.**

1451 Marvin Griffin Road  
Augusta, Georgia 30906 - 3852  
USA

**CONTACT INFORMATION**

**North America:**

Technical Assistance & Warranty:

Phone: 1-800-774-3946, FAX: 1-800-448-8124

Service Parts Phone:

1-888-GET-E-Z-GO (1-888-438-3946), FAX: 1-800-752-6175

**International:**

Phone: 001-706-798-4311, FAX: 001-706-771-4609

Service Manuals are available for purchase from a local Distributor, an authorized Branch, Genuine E-Z-GO Parts & Accessories Department or at [www.shopezgo.com](http://www.shopezgo.com).

Copyrighted Material

This manual may not be reproduced in whole or in part without the express permission of the manufacturer.